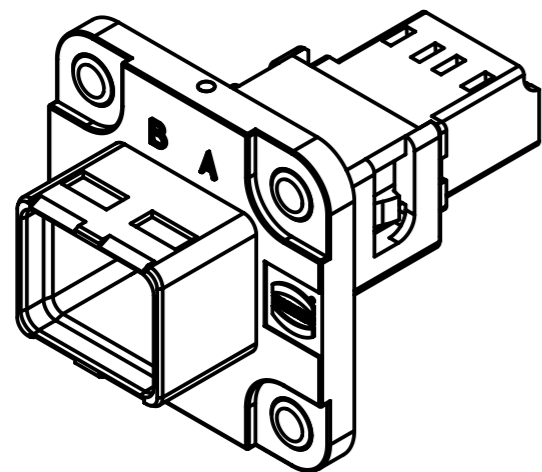


- applicable torque for M3 screw: 0.5Nm  
 - use of flat washers is recommended

LC fibre optic mating according to IEC 61754-20

connector pitch on panel = 35mm

receptacle housing according to IEC 61076-3-106, variant 04



	All Dimensions in mm Original Size DIN A3		Scale 2:1	Free size tol.		Ref. Sub. TB 09 57 441 0500 / EC33936 / 07.02.2007	
	All rights reserved Department EC PD - DE		Created by ELLERMANN	Inspected by TADJE	Standardisation KOHLER	Date 2016-01-05	State Final Release
HARTING Electronics GmbH D-32339 Espelkamp		Title HPP V4 Easy Install receptacle Multi Mode GOF				Doc-Key / ECM-Nr. 100103882/UGD/004/B 50000098908	
		Type TB	Number 09574410500		Rev. B	Page 1/1	

# Mouser Electronics

Authorized Distributor

Click to View Pricing, Inventory, Delivery & Lifecycle Information:

[HARTING:](#)

[09574410500](#) [09574410500000](#)