

6

5

4

3

2

1

E

E

D

D

C

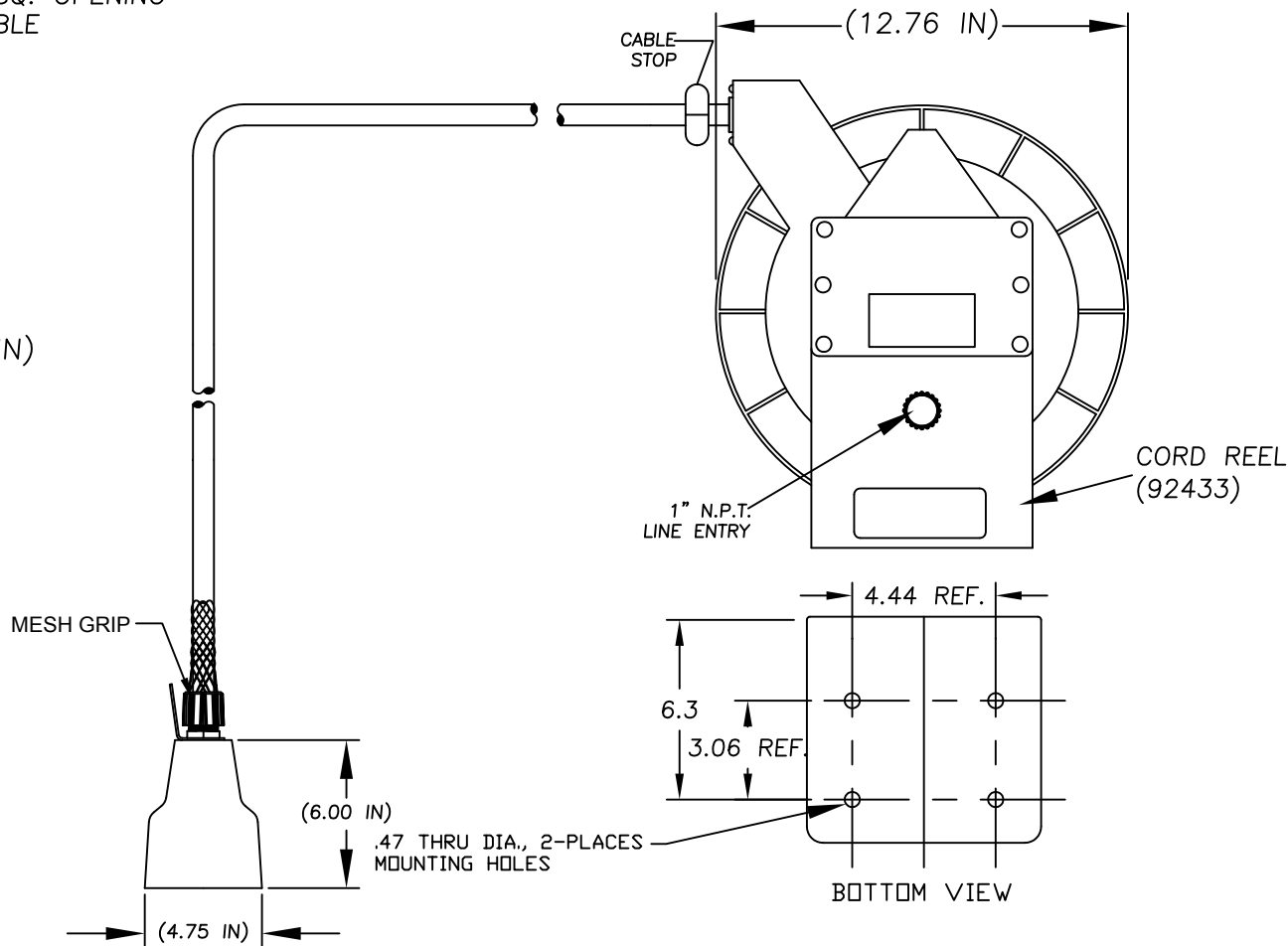
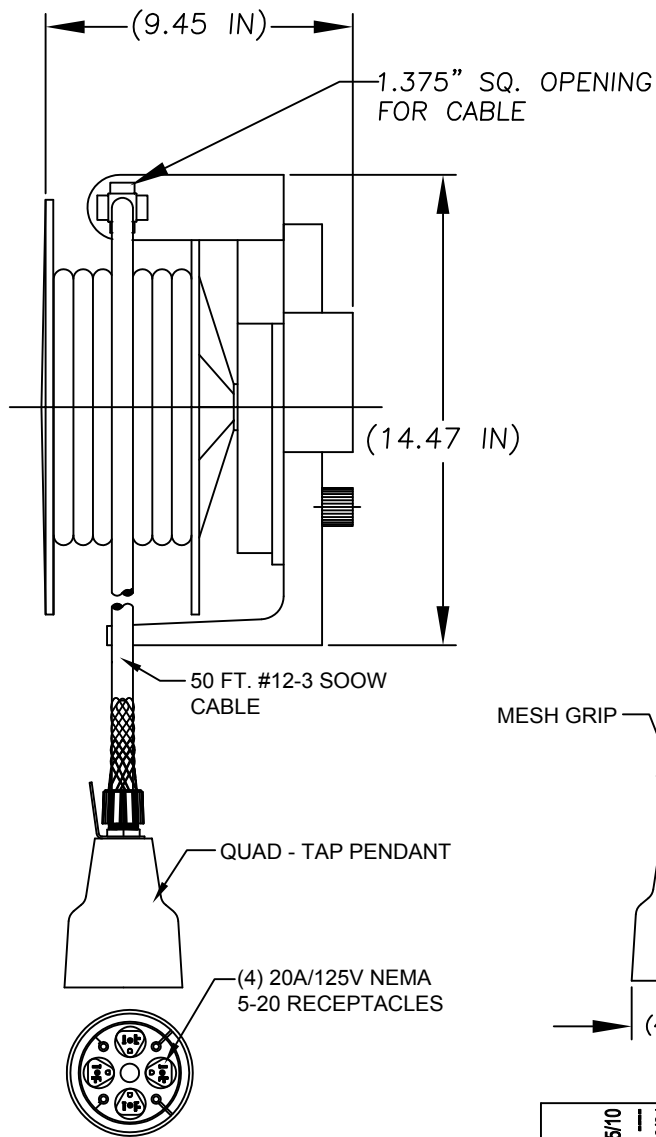
C

B

B

A

A



CORRECT BOTTOM VIEW DIMS EC NO: WNA2010-0525 DRWN: TVICKERS CHKD: HK APPR: DTITUS REV: B	2/25/10 2010/06/21	<b>QUALITY SYMBOLS</b> $\nabla=0$ $\nabla C=0$	<b>GENERAL TOLERANCES (UNLESS SPECIFIED)</b>		<b>DIMENSION STYLE</b> INCH		SCALE NTS	DESIGN UNITS INCH	<b>THIRD ANGLE PROJECTION</b>
				mm	INCH	DRAWN BY	DATE	TITLE	
	4 PLACES		±---	±---	TV	2009/11/17	W/34048 QUAD PENDANT (4) NEMA 5-20 & MESH		
	3 PLACES		±---	±.005	CHECKED BY	DATE			
2 PLACES	±.13	±.010	KA	2009/11/17					
1 PLACE	±.24	±.020	APPROVED BY	DATE	<b>MOLEX INCORPORATED</b>				
<b>ANGULAR ±.5°</b>			<b>DRAFT WHERE APPLICABLE MUST REMAIN WITHIN DIMENSIONS</b>		MATERIAL NO. 1300830887	DOCUMENT NO. SD-130083-016	SHEET NO. 1 OF 1		
<b>SIZE A</b>					THIS DRAWING CONTAINS INFORMATION THAT IS PROPRIETARY TO MOLEX INCORPORATED AND SHOULD NOT BE USED WITHOUT WRITTEN PERMISSION				

6

5

4

3

2

1