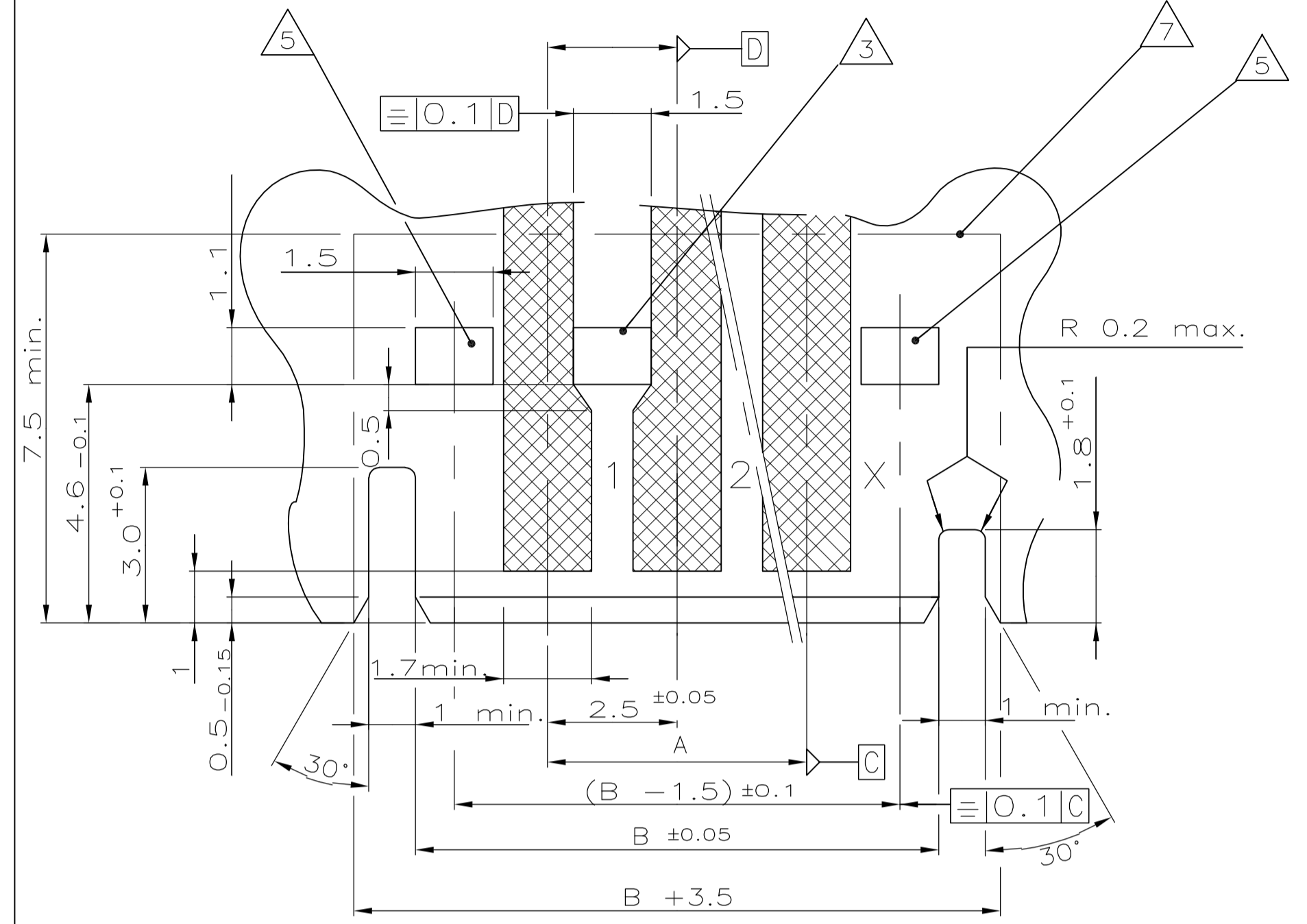
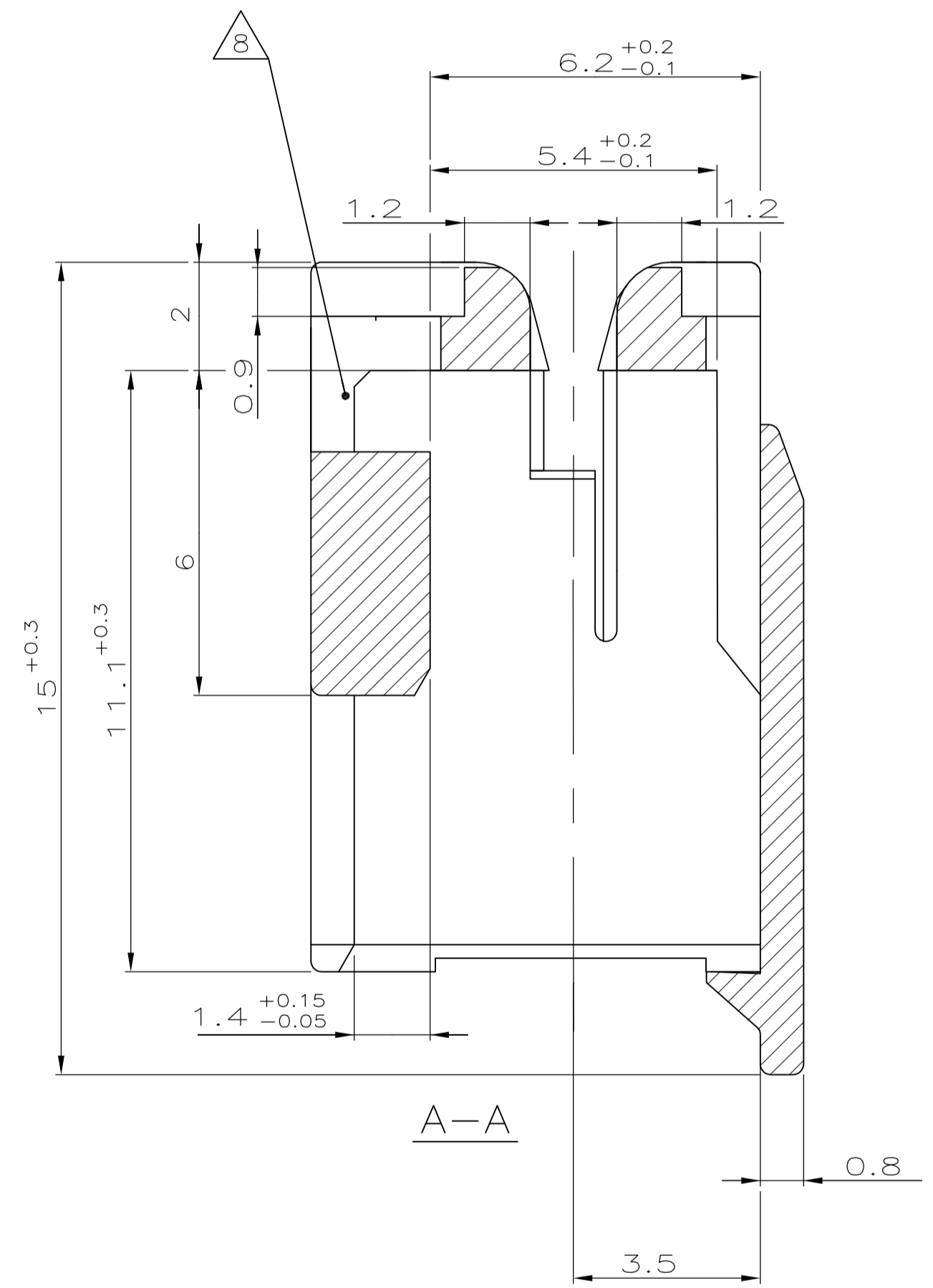
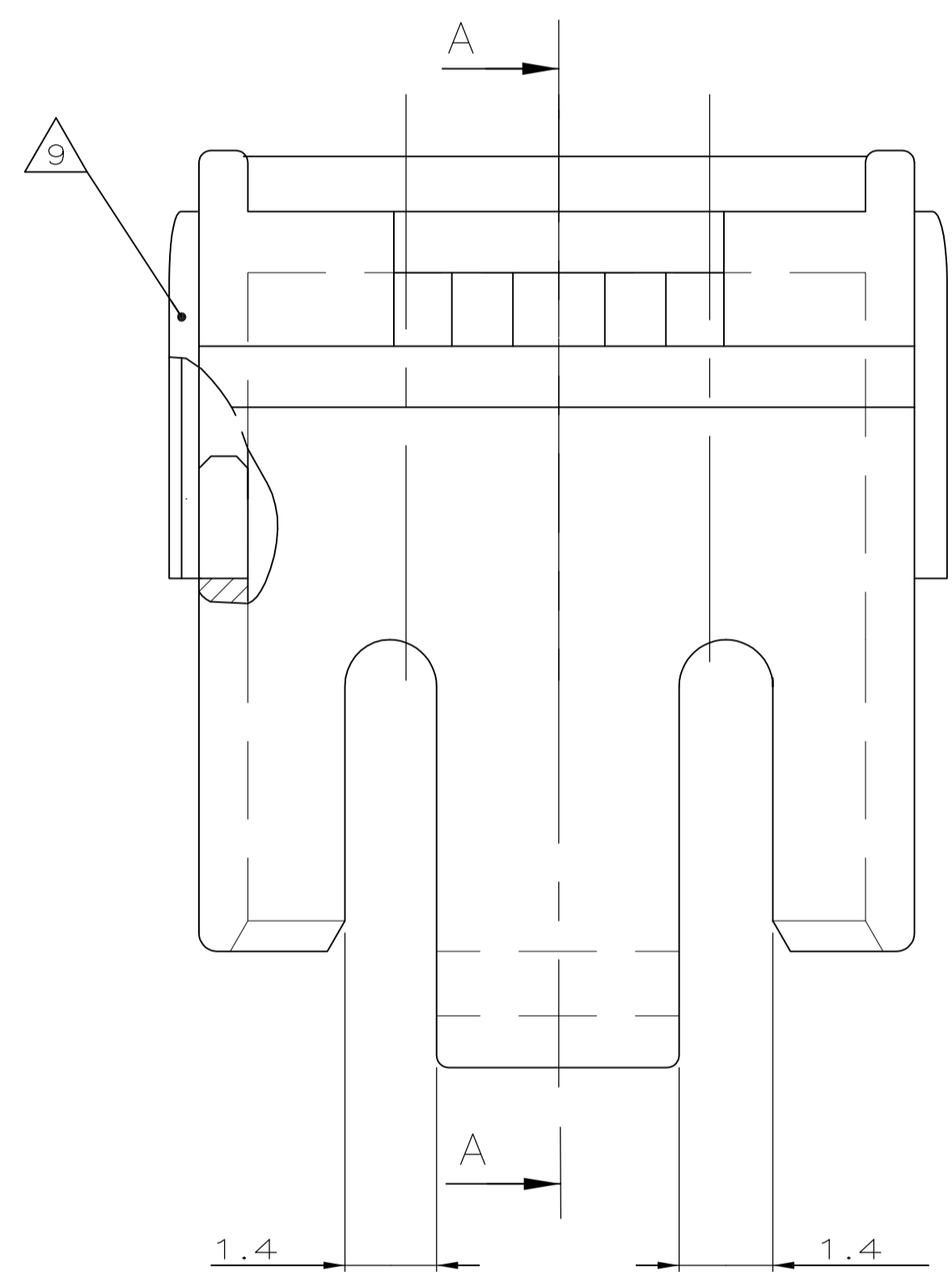
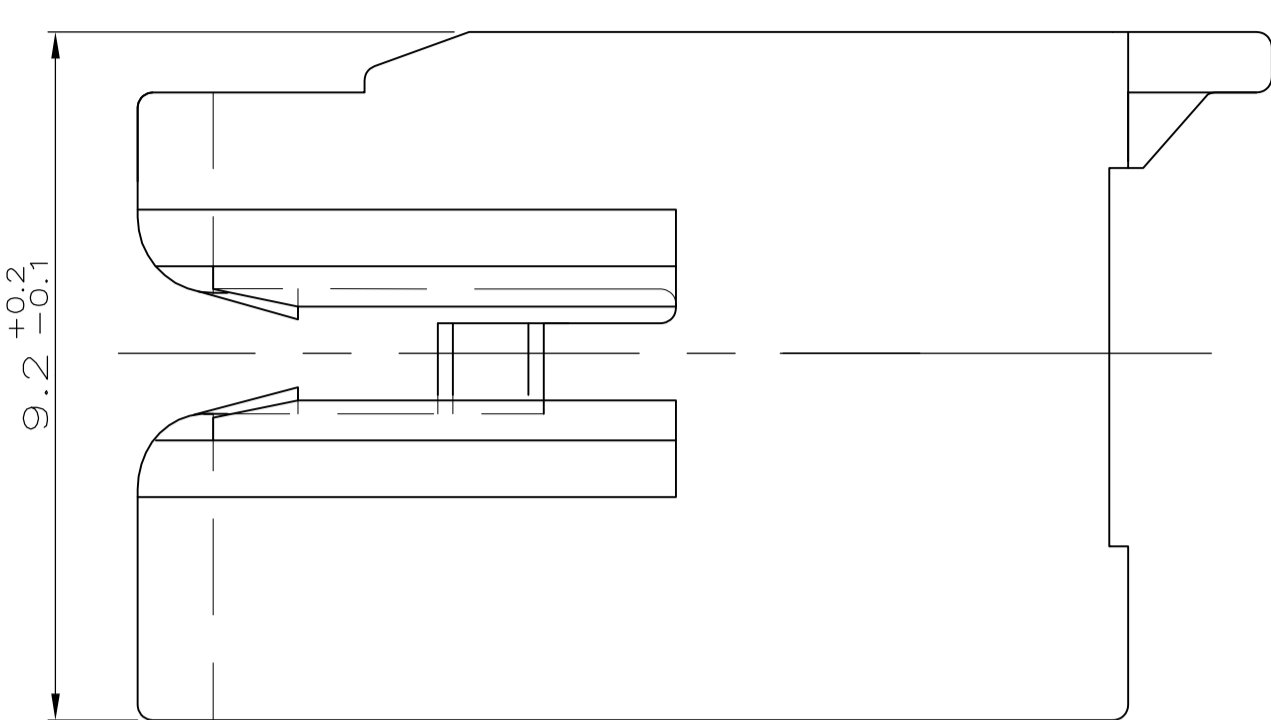
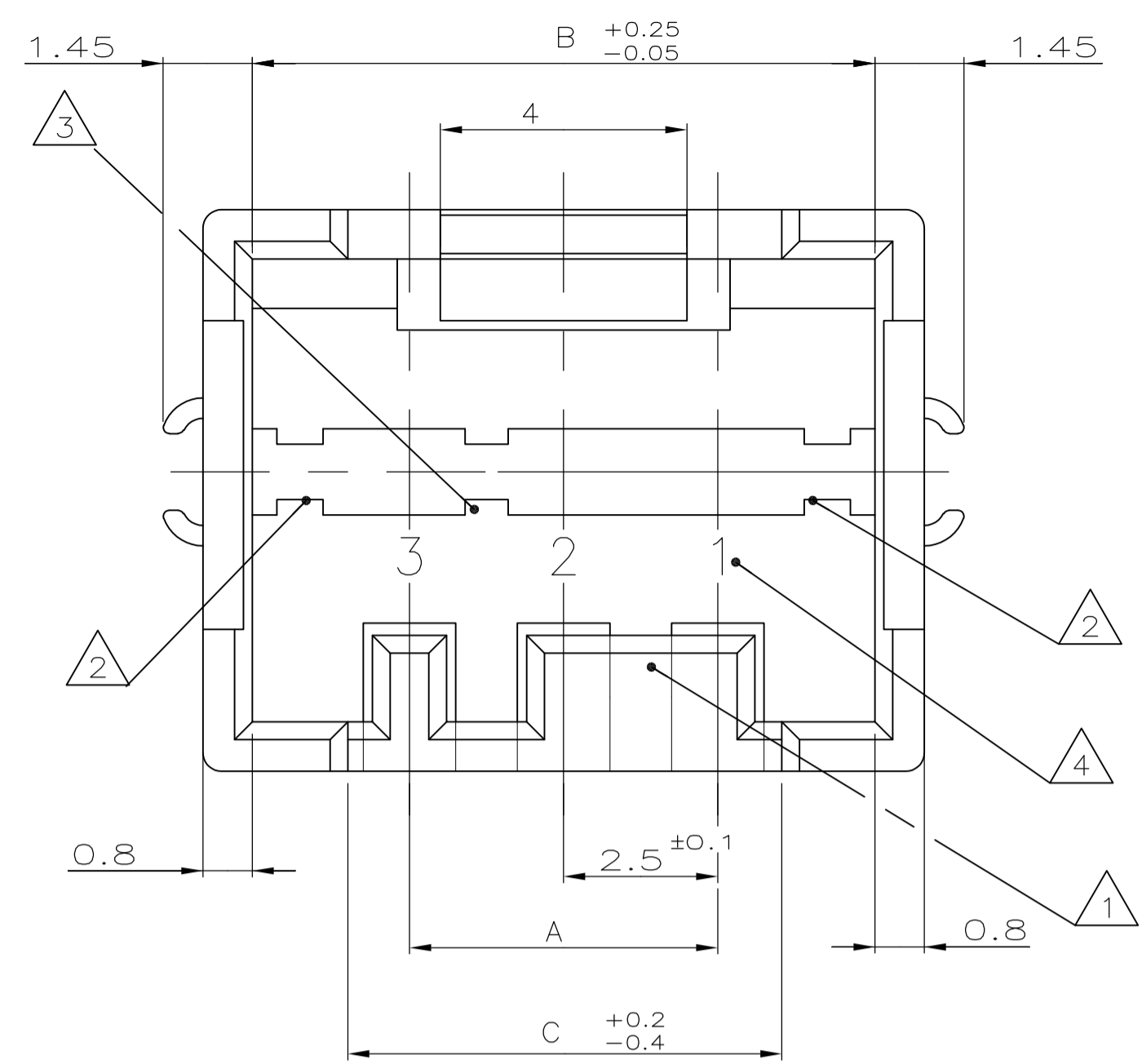
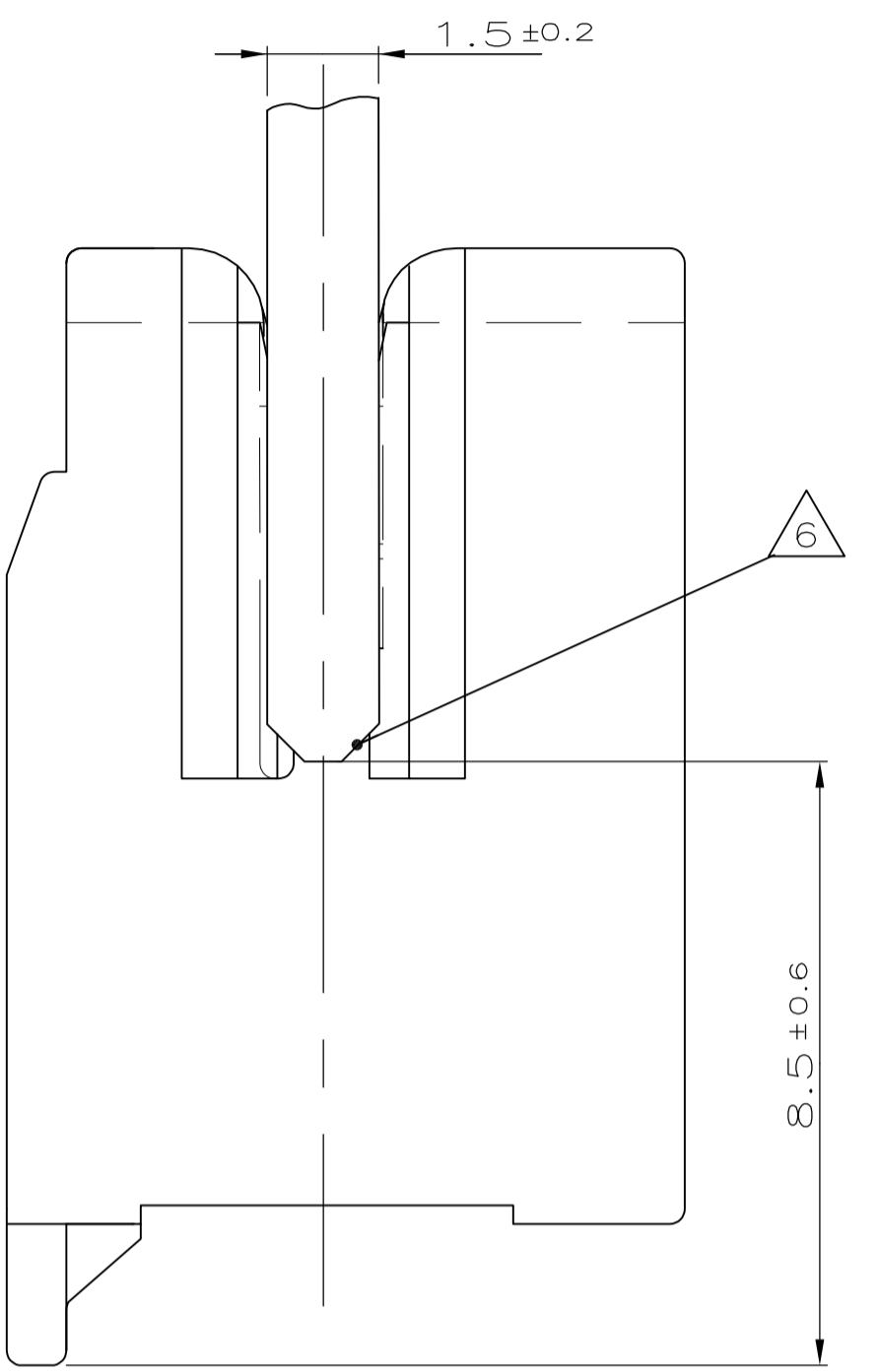


LOC	DIST	REVISIONS			
P	LTR	DESCRIPTION	DATE	DMN	APVD
C16	ECR-12-008385		24MAY2012	C.J.	R.P.



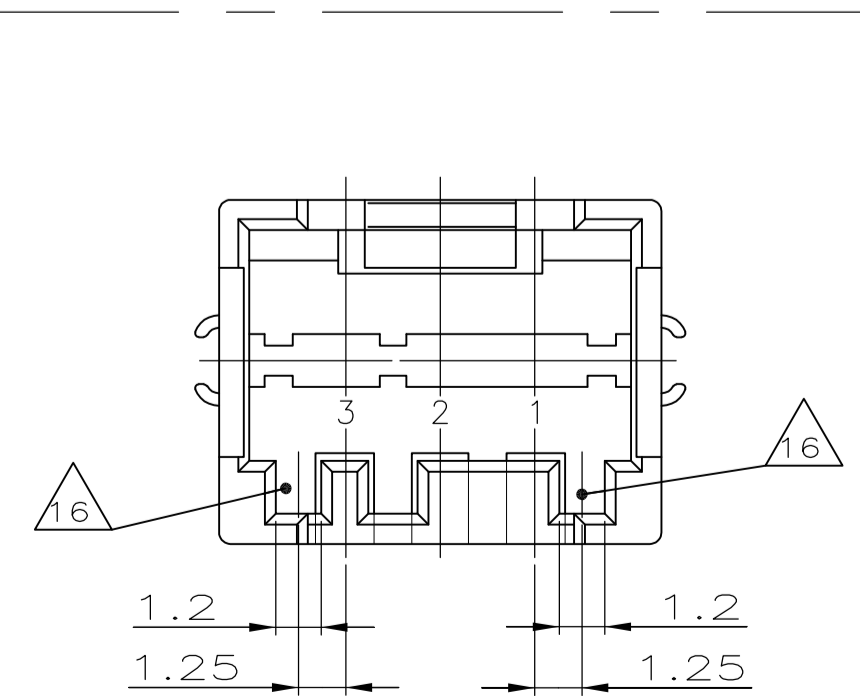
FREIABTOLERANZ ±0.1
TOLERANCE NOT SPECIFIED ±0.1



DRAHTABGANG
WIRE-DIRECTION

- 1 KODIERUNG ZWISCHEN KAMMER 1 UND 2 DARGESTELLT (AUF ANFRAGE)
KEYING SHOWN BETWEEN CAVITY 1 AND 2 (ON REQUEST)
- 2 RASTHAKEN BEI ERSTER UND LETZTER KAMMER IMMER VORHANDEN
LOCKING CLIP ALWAYS ON FIRST AND LAST CAVITY
- 3 ZUSÄTZLICHE RASTHAKEN UND RASTFENSTER ZWISCHEN KAMMER-NR. SIEHE BLATT 2 VON 2
ADDITIONAL LOCKING CLIP BETWEEN CAVITY NO. SEE SHEET 2 OF 2
- 4 KAMMERNUMMER
CAVITY-NO.
- 5 RASTFENSTER IMMER VORHANDEN
LOCKING WINDOW ALWAYS PRESENT
- 6 LEITERPLATTE VORZUGSWEISE ANGEFAST
PCB CHAMFERED PREFERABLE
- 7 PLATZBEDARF FÜR RAHMEN
AREA FOR FRAME
- 8 PRÜFÖFFNUNGEN
INSPECTION HOLES
- 9 KLEMMFEDERN; NICHT VOLL AUSGESPRITZTE KONTUR ZULÄSSIG
CLIPS; SHAPE NOT FULLY MOLDED PERMISSIBLE

- 10 Passende Gegenstecker siehe PN 829 868/966 194
MATING PARTS SEE PN 829 868/966 194
- 1-4 SIEHE BLATT 2 VON 2
SEE SHEET 2 OF 2
- 5 SIEHE BLATT 2 VON 2
SEE SHEET 2 OF 2
- 6 Außennuten eingeengt, Varianten siehe Kodierungsbild (Blatt 2 von 2)
GROOVES ON OUTSIDE NARROWED, VERSIONS SEE KEYING PLAN (SHEET 2 OF 2)
- 7 Gi?drahttest 750°C nach DIN EN 60695-2-11 ohne Flamme
GLOW WIRE TEST 750°C ACC. DIN EN 60695-2-11 WITHOUT FLAME
- 8 OBSOLETE
- 9 PRELIMINARY PART NOT FOR PRODUCTION.

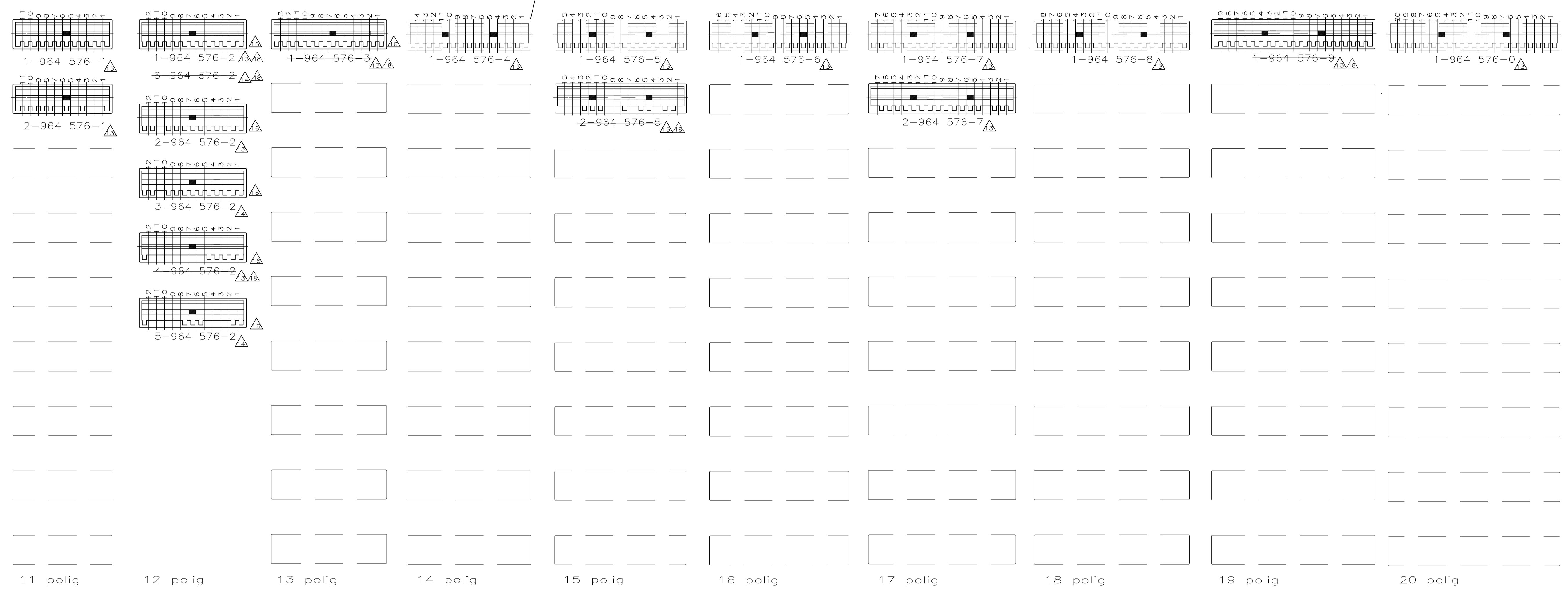


POS.	DIM A	DIM B	DIM C	REV	POS.	DIM A	DIM B	DIM C	REV				
-	20	47.5	52.6	49.5	-	-	-	-	1-	964 576-0			
-	19	45.0	50.1	47	-	-	-	-	1- ^Δ	964 576-9			
-	18	42.5	47.6	44.5	-	-	-	-	1-	964 576-8			
-	17	40.0	45.1	42	-	2-	1-	-	1-	964 576-7			
-	16	37.5	42.6	39.5	-	-	-	-	1-	964 576-6			
-	15	35.0	40.1	37	-	2- ^Δ	1-	-	1-	964 576-5			
-	14	32.5	37.6	34.5	-	-	-	-	1-	964 576-4			
-	13	30.0	35.1	32	-	-	-	-	1- ^Δ	964 576-3			
-	12	27.5	32.6	29.5	-	6- ^Δ	5-	4- ^Δ	3-	2-	1- ^Δ	964 576-2	
-	11	25.0	30.1	27	-	-	-	-	2-	1-	964 576-1		
-	10	22.5	27.6	24.5	-	-	-	-	3- ^Δ	2-	1- ^Δ	964 575-0	
-	9	20.0	25.1	22	-	-	-	-	2-	1-	964 575-9		
-	9	20.0	25.1	22	-	9-	-	-	-	-	964 575-9		
-	8	17.5	22.6	19.5	-	9-	-	-	-	-	964 575-8		
-	8	17.5	22.6	19.5	-	-	-	-	2-	1-	964 575-8		
-	7	15.0	20.1	17	-	9-	8- ^Δ	-	-	-	964 575-7		
-	7	15.0	20.1	17	-	-	-	-	4- ^Δ	3-	2-	1-	964 575-7
-	6	12.5	17.6	14.5	-	-	-	-	3-	2-	1-	964 575-6	
-	5	10.0	15.1	12	-	9-	8-	7- ^Δ	-	-	-	964 575-5	
-	5	10.0	15.1	12	-	-	-	-	4-	3- ^Δ	2-	1-	964 575-5
-	4	7.5	12.6	9.5	-	9- ^Δ	-	-	-	-	-	964 575-4	
-	4	7.5	12.6	9.5	-	-	-	-	4- ^Δ	3-	2-	1-	964 575-4
-	3	5.0	10.1	7	-	9-	-	-	-	-	2- ^Δ	1-	964 575-3
-	3	5.0	10.1	7	-	-	-	-	8-	-	-	3-	964 575-3

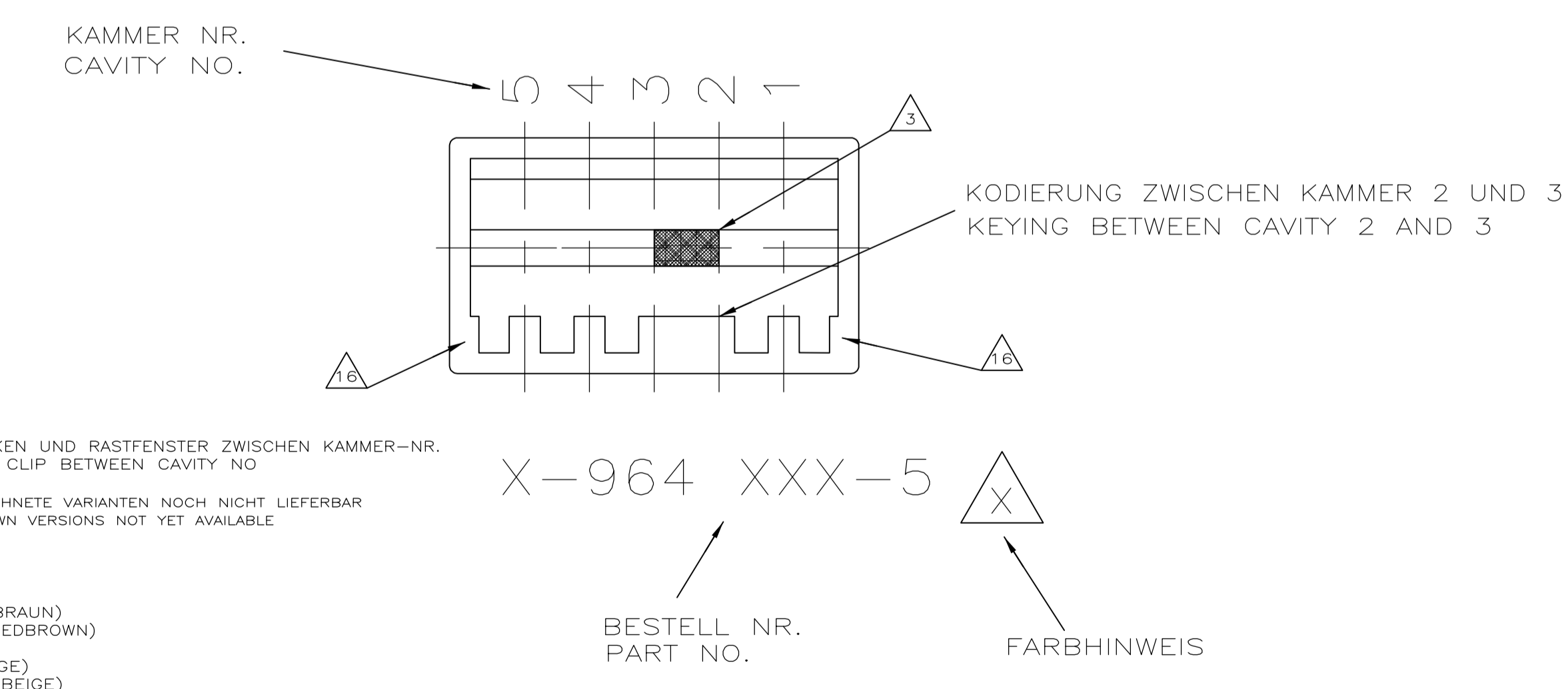
THIS DRAWING IS A CONTROLLED DOCUMENT.

DIMENSIONS: mm	TOLERANCES UNLESS OTHERWISE SPECIFIED: ±0.2 mm	DMN: ATZMANN 06.07.92	APVD: BORMUTH 06.07.92
MATERIAL: PA 6.6 25 % GF UL94 V-0	FINISH: SEE SHEET 2	NAME: AMP DUOPLUG 2.5 SYSTEM PCB RAHMEN, 3-20 POL.	PRODUCT SPEC: AMP DUOPLUG 2.5 SYSTEM PCB FRAME, 3-20 POS.
WEIGHT: -	SIZE: A1	CAGE CODE: 00779	DRAWING NO: 964575
CUSTOMER DRAWING	SCALE: 10:1	SHEET: 1 OF 2	REV: C16

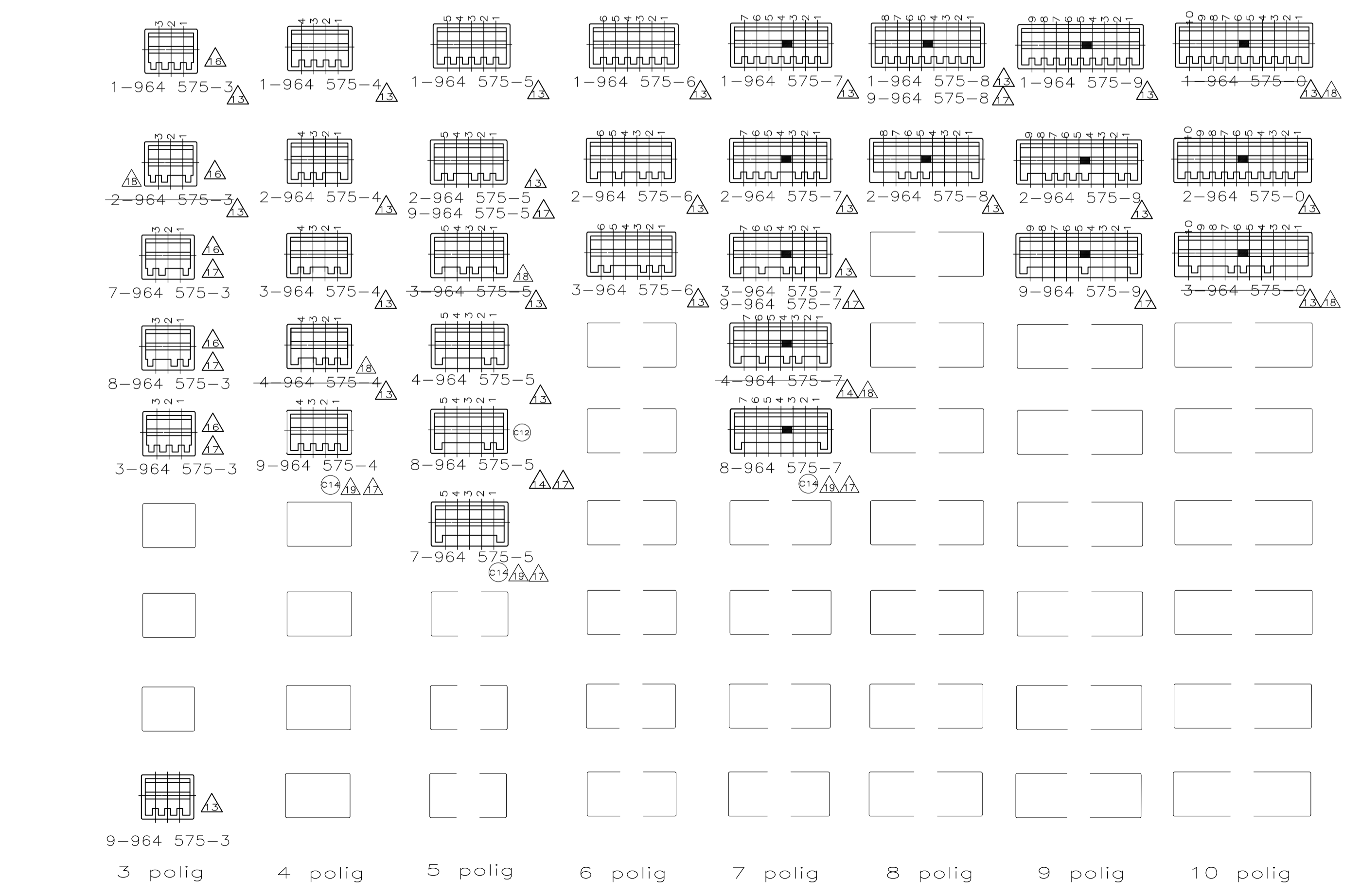
LOC		DIST		REVISIONS			
P	LTR	DESCRIPTION	DATE	DN	APVD		
-	-	SEE SHEET 1	-	-	-	-	-



BEISPIEL:
EXAMPLE:



- 3 ZUSÄTZLICHE RASTHAKEN UND RASTFENSTER ZWISCHEN KAMMER-NR.
ADDITIONAL LOCKING CLIP BETWEEN CAVITY NO.
- 12 MIT STRICHLINIE GEZEICHNETE VARIANTEN NOCH NICHT LIEFERBAR
WITH STROKE LINE DRAWN VERSIONS NOT YET AVAILABLE
- 13 FARBE: SCHWARZ
COLOUR: BLACK
- 14 FARBE: NATUR (ROTBRAUN)
COLOUR: NATURAL (REDBROWN)
- 15 FARBE: NATUR (BEIGE)
COLOUR: NATURAL (BEIGE)
- 16 Außennuten eingengt, Varianten siehe Kodierungsbilder
GROOVES ON OUTSIDE NARROWED, VERSIONS SEE KEYING SCETCHES



THIS DRAWING IS A CONTROLLED DOCUMENT.		DIN MASEK 05.04.93	TE Connectivity	
DIMENSIONS: mm		CHK BORMUTH 05.04.93		
TOLERANCES UNLESS OTHERWISE SPECIFIED: ±0.2 mm		APVD	NAME: AMP DUOPLUG 2.5 SYSTEM PCB RAHMEN 3-20 POL. AMP DUOPLUG 2.5 SYSTEM PCB FRAME 3-20 POL.	
0 PLC ± -		PRODUCT SPEC	APPLICATION SPEC	
1 PLC ± -		SIZE	CAGE CODE DRAWING NO.	
2 PLC ± -		WEIGHT	A1 00779 964575	
3 PLC ± -		CUSTOMER DRAWING	SCALE 10:1 SHEET 2 OF 2 REV C16	
4 PLC ± -				
5 PLC ± -				
6 PLC ± -				
7 PLC ± -				
8 PLC ± -				
9 PLC ± -				
10 PLC ± -				