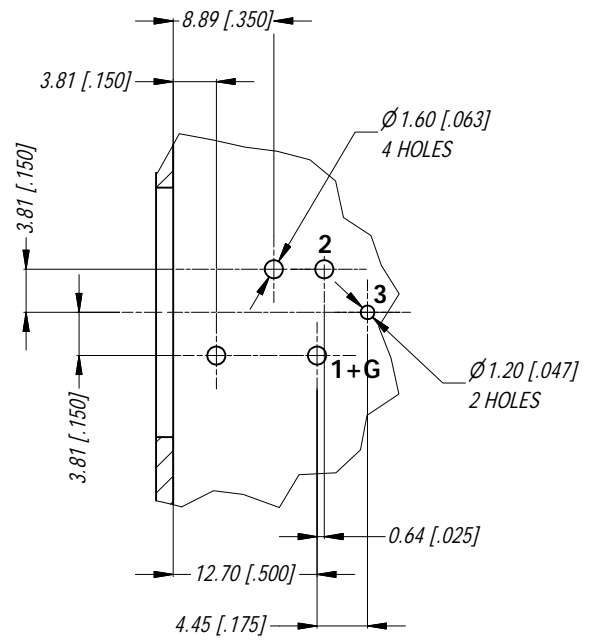
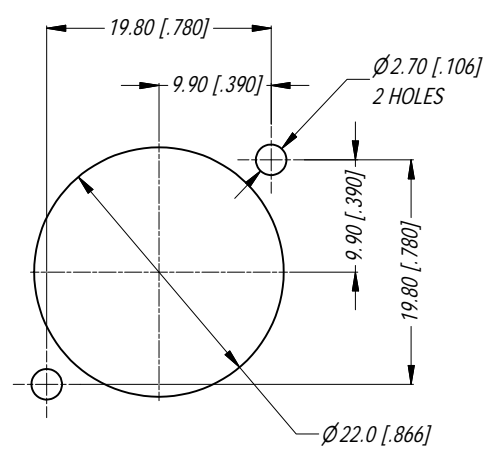


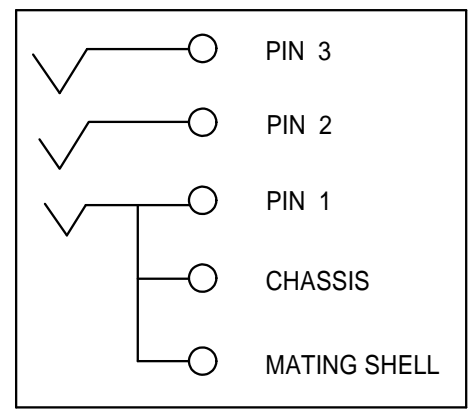
MIN MOUNTING PITCH (1:1)



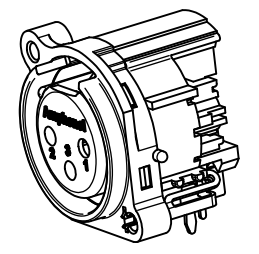
PCB LAYOUT
TOLERANCE : ± 0.05 [0.002 in]
NOTE: DIMS IN PARENTHESES ARE IN INCHES



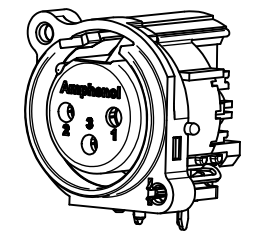
PANEL CUT OUT
REAR VIEW



SCHEMATIC CHART



3D VIEW (1:1)



REV	DESCRIPTION	DATE	BY	CHG NO
2	ADD SUFFIX B TO PART No	27/08/15	T.N	9318
1	UPDATE FEMALE SHELL	2/4/2009	A.O	8793
0	FIRST ISSUE	18/09/07	T.N	8686

REVISION HISTORY

UNLESS OTHERWISE SPECIFIED TOLERANCE TO BE:		THIS DOCUMENT IS THE PROPERTY OF AMPHENOL AUSTRALIA PTY. LTD. NO PART THEREOF MAY BE REPRODUCED AND USED WITHOUT THE PRIOR WRITTEN CONSENT OF THE OWNER			
LINER	ANGULAR	CAD FILE:	DRN:	DATE:	
X ±	X° ± 1	55010490000221	T.N	17/04/07	
X.X ±	X.X° ± 30°	MATL:	P.M	DATE:	
X.XX ±	X.XX° ± 15°	REFER TO COMPONENTS	P.M	07/04/09	
BREAK ALL SHARP EDGES AND REMOVE ALL BURRS		APP'D:	P.M	DATE:	
DO NOT SCALE		REFER TO COMPONENTS	P.M	07/04/09	
DIMENSIONS IN MILLIMETRES		SCALE:	3:2	PART No:	AC3FBHL1-AU-B

TITLE:		Amphenol	
XLR FEMALE B TYPE CONNECTOR		Amphenol Australia Pty.Ltd. 2 Fiveways Blvd. Keysborough, Vic3173	
CUSTOMER DWG		DRAWING NO.	SHEET
		55010490-000-2	2/2

NOTE: SUFFIX "B" IN THE PART No. INDICATES BULK PACK.