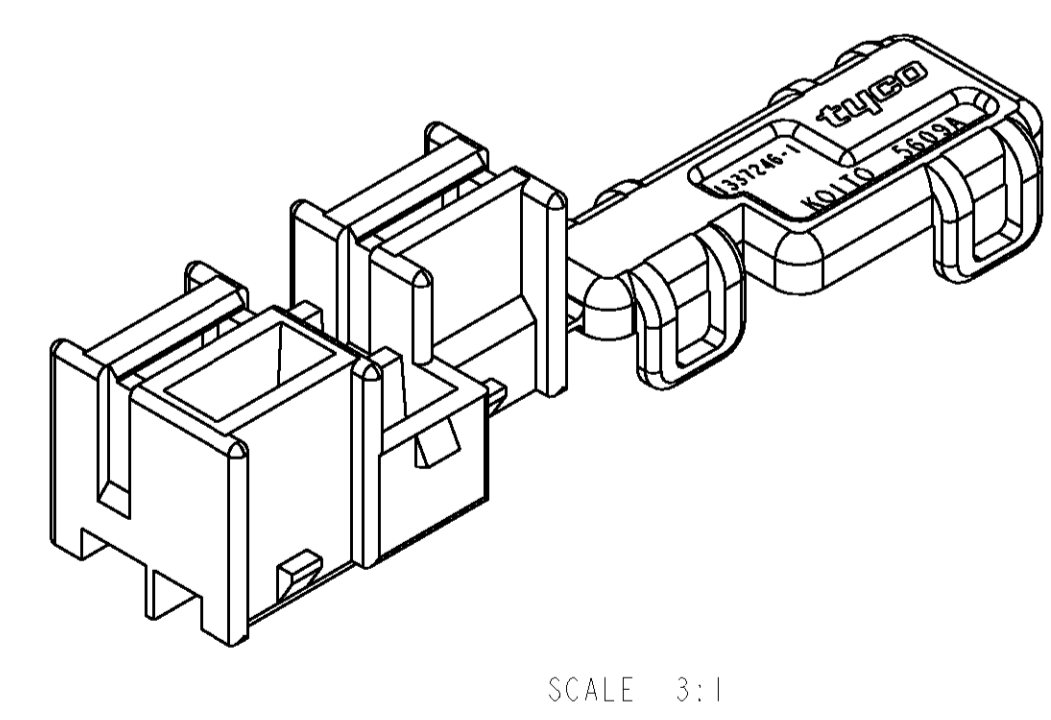
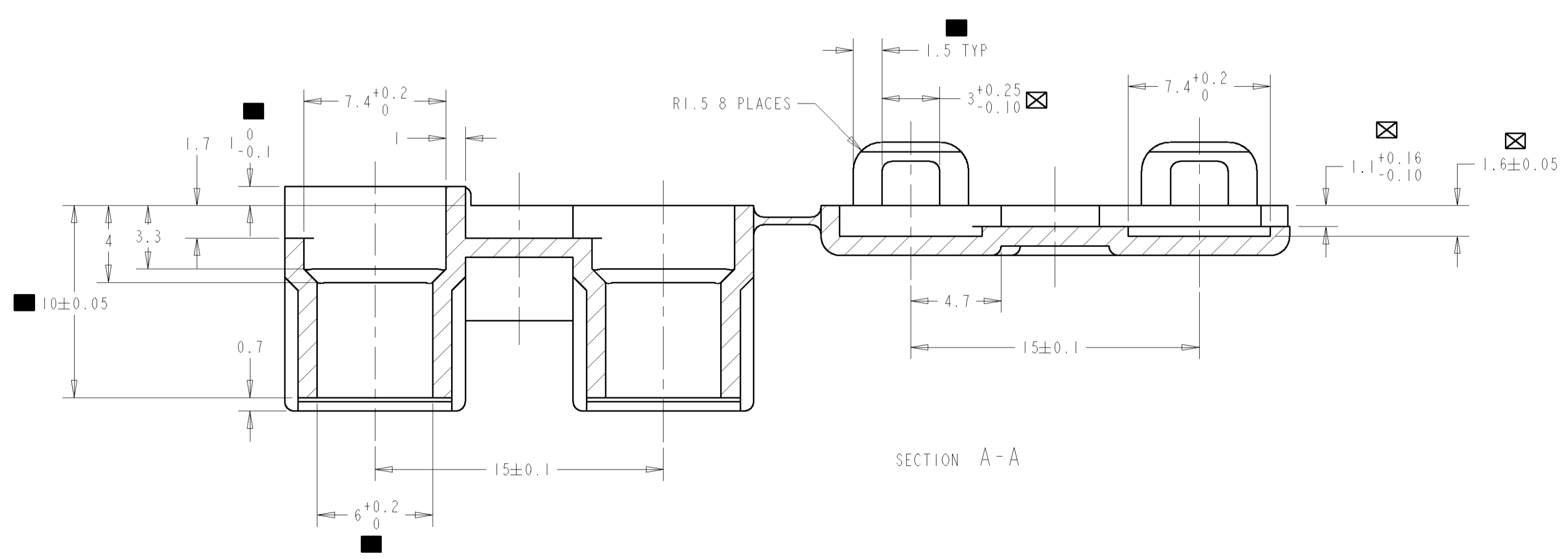
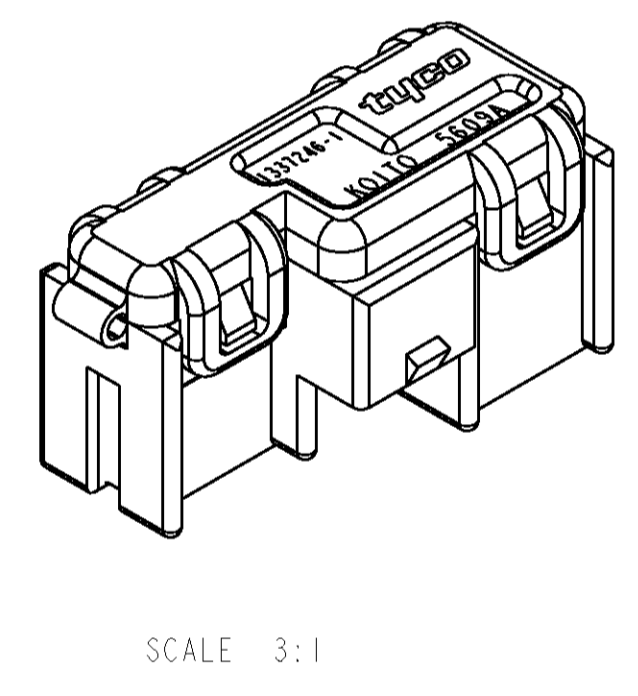
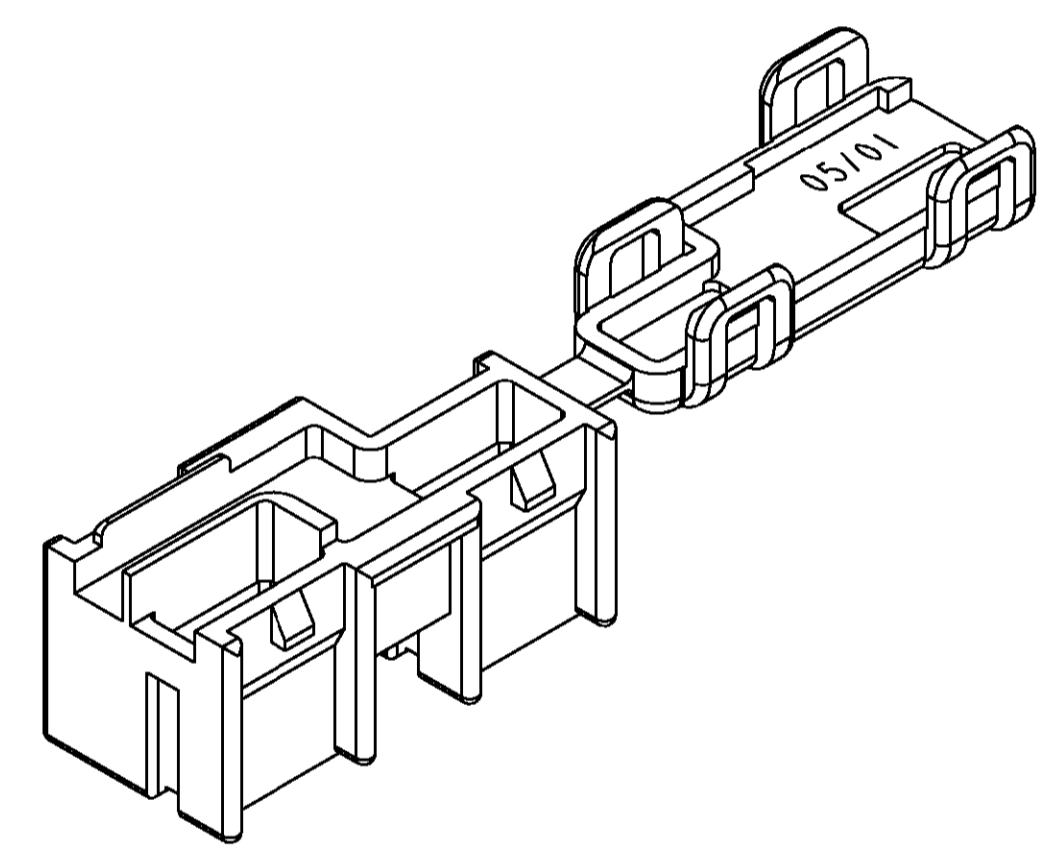
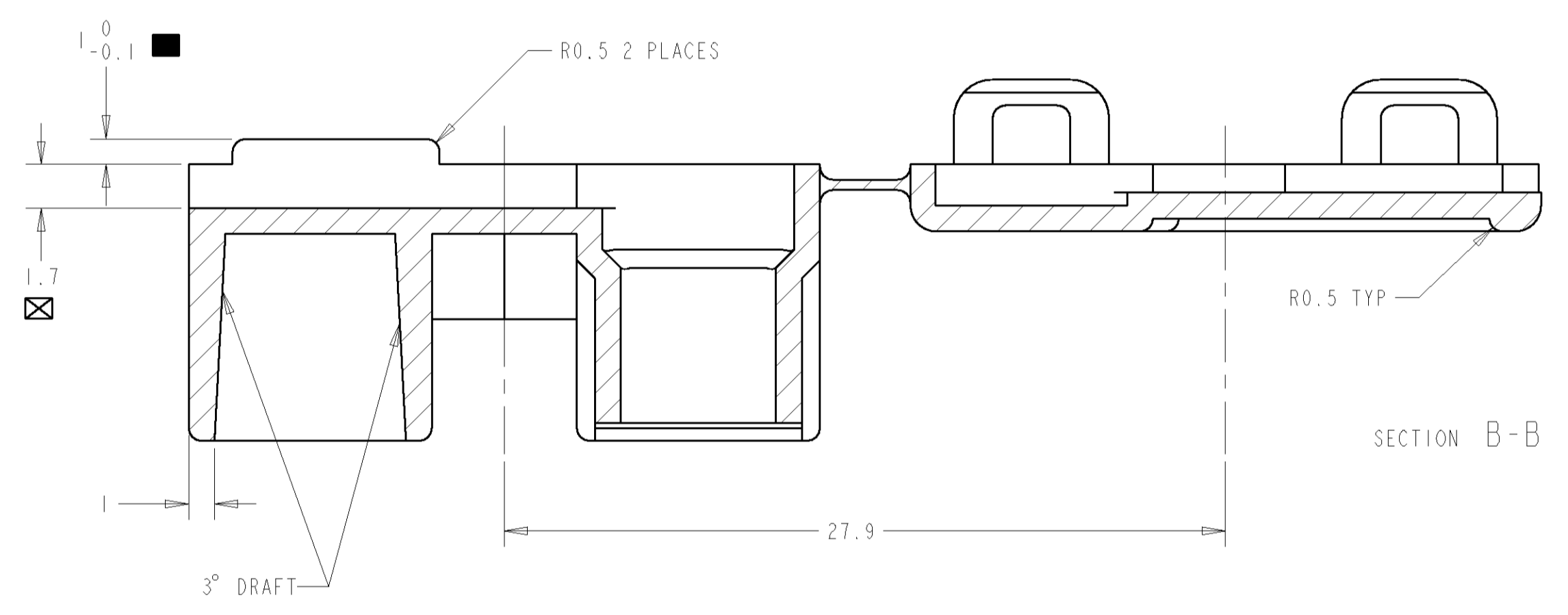
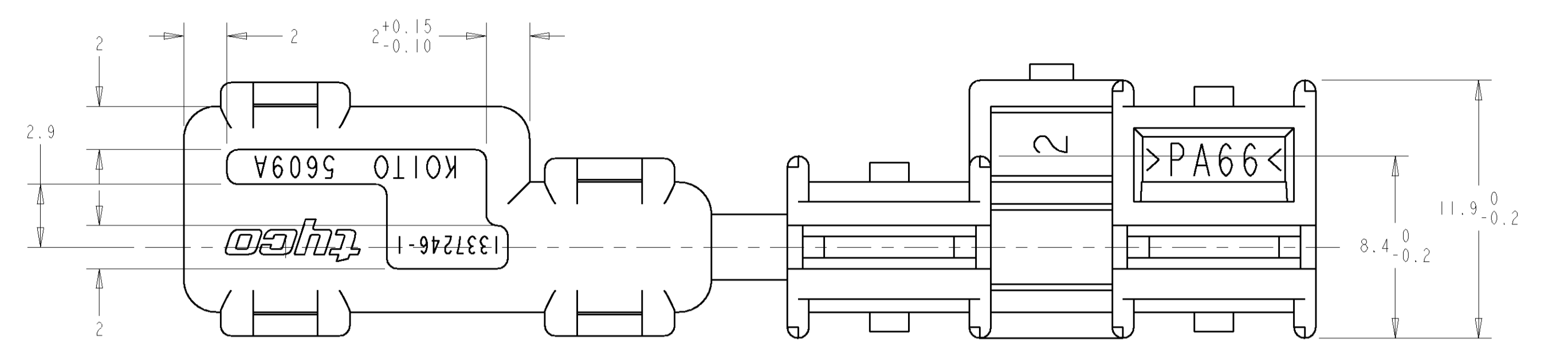
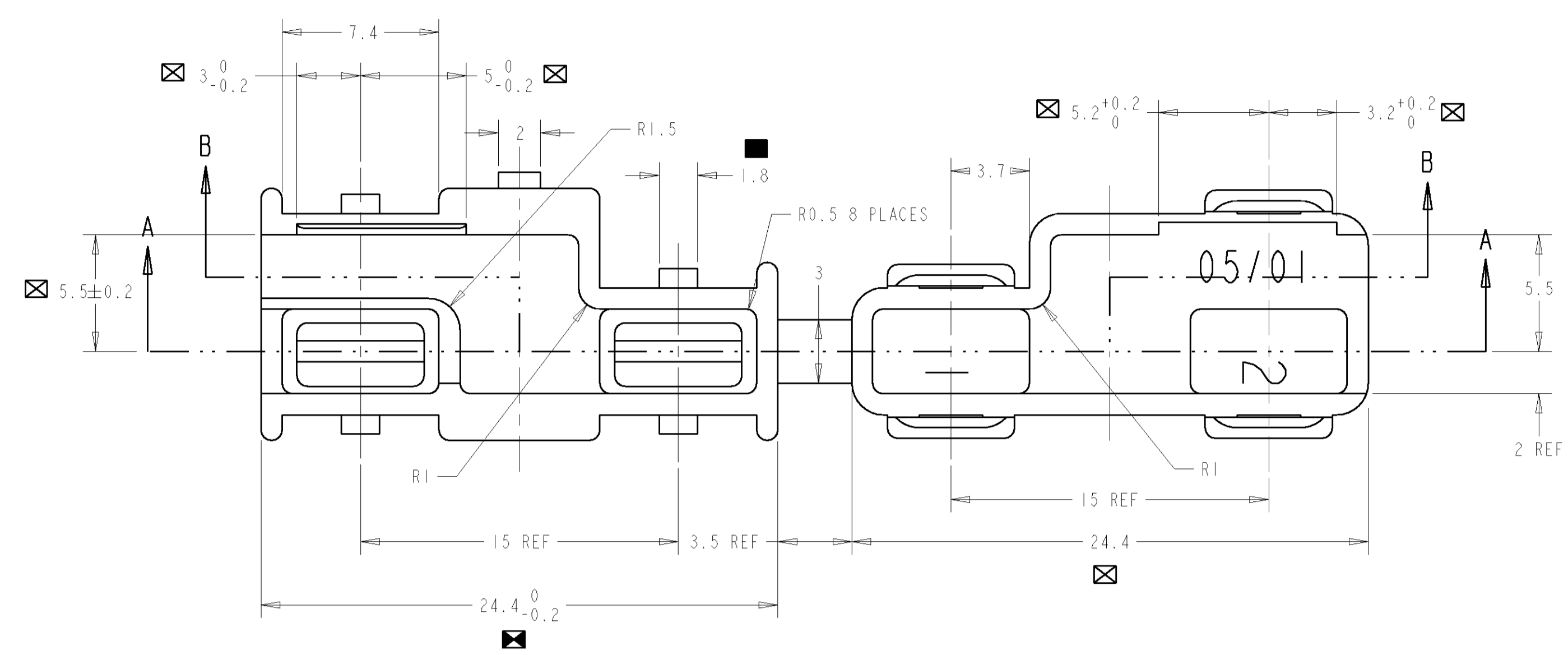


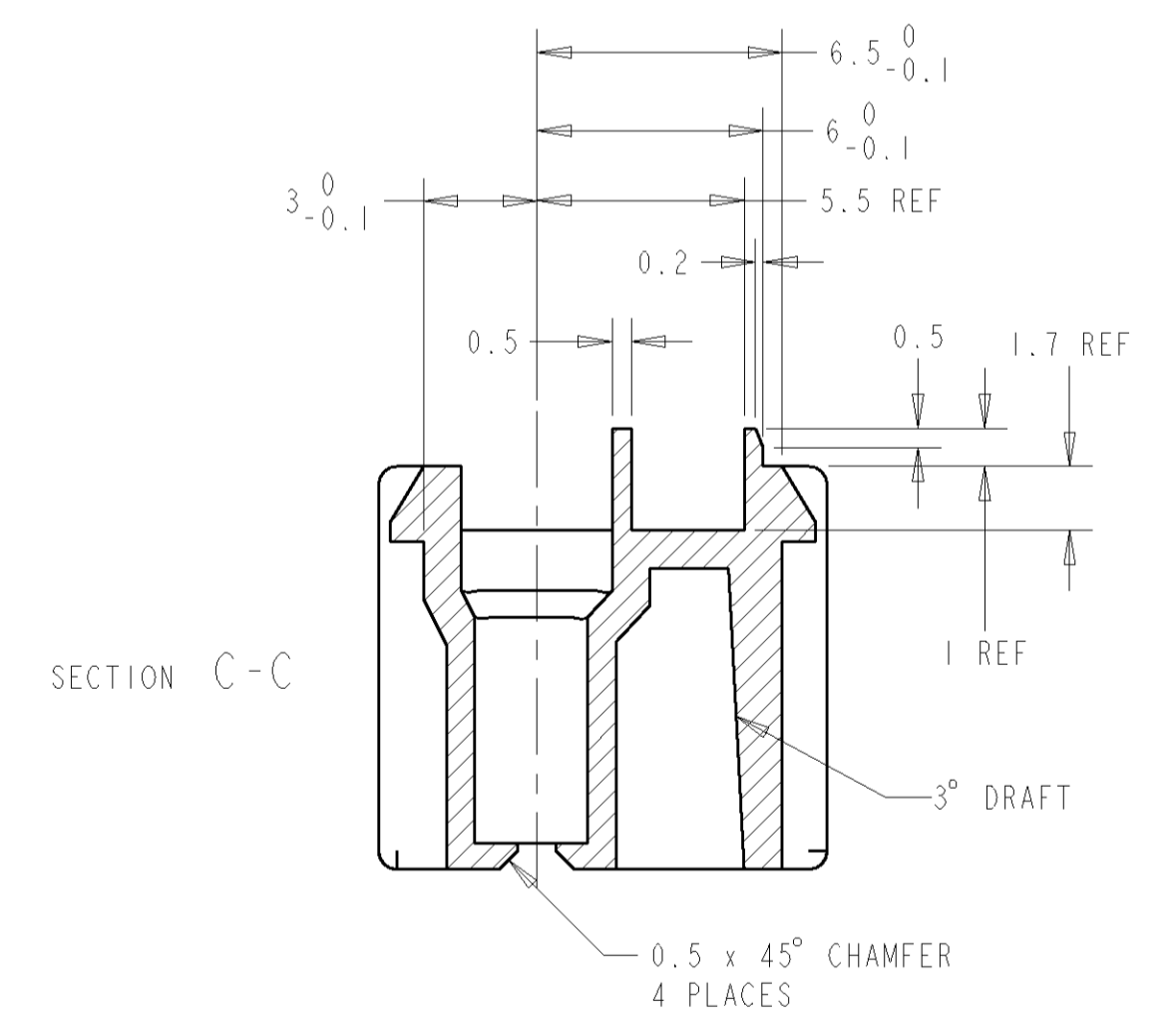
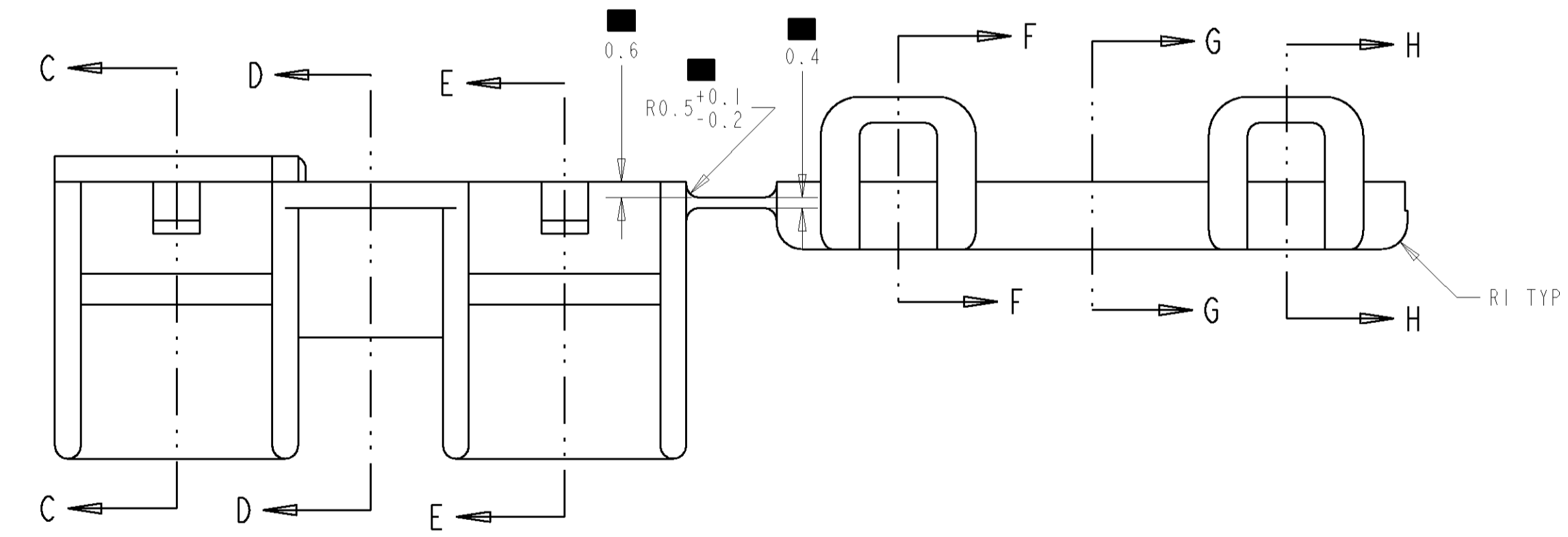
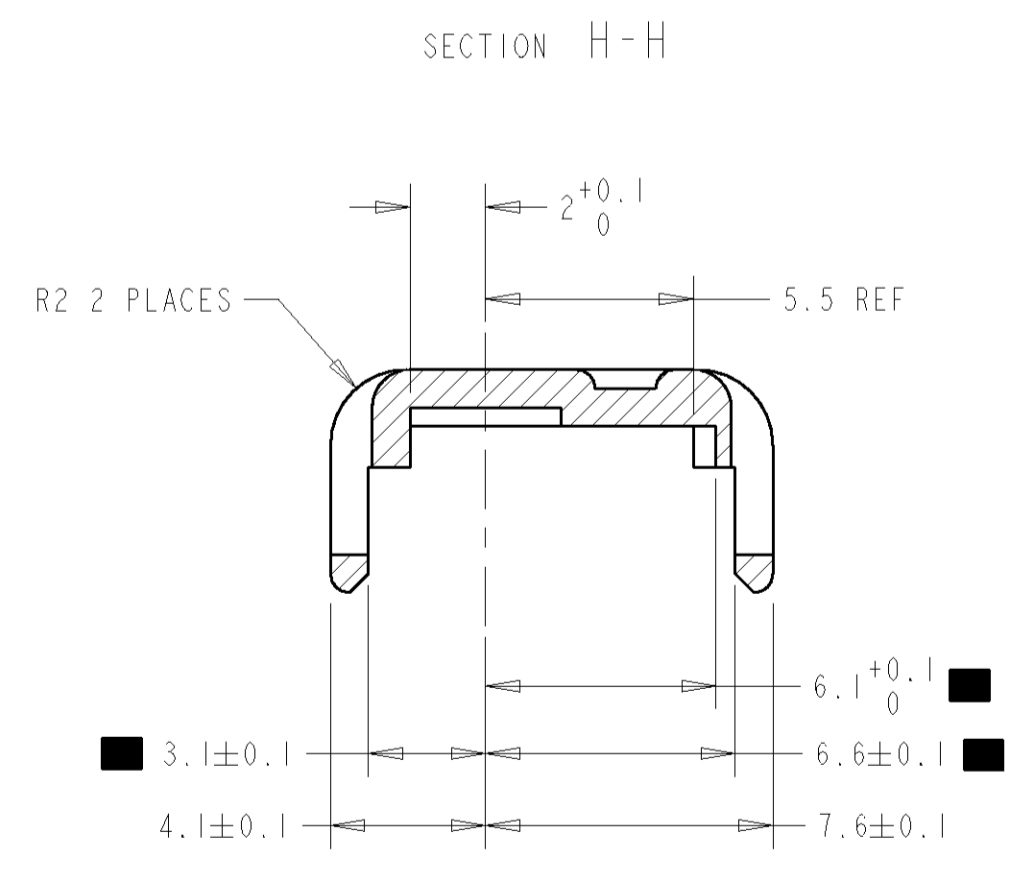
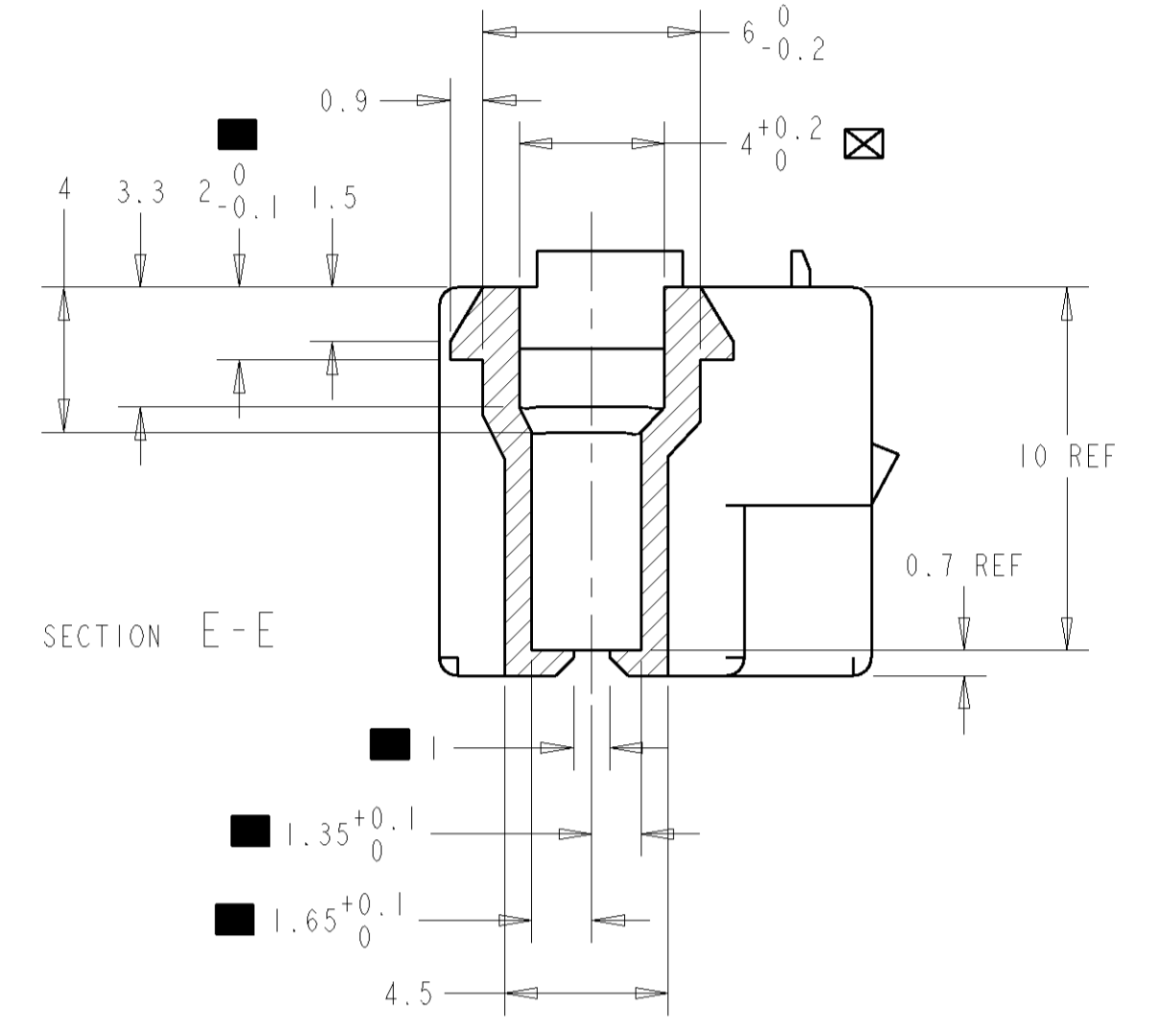
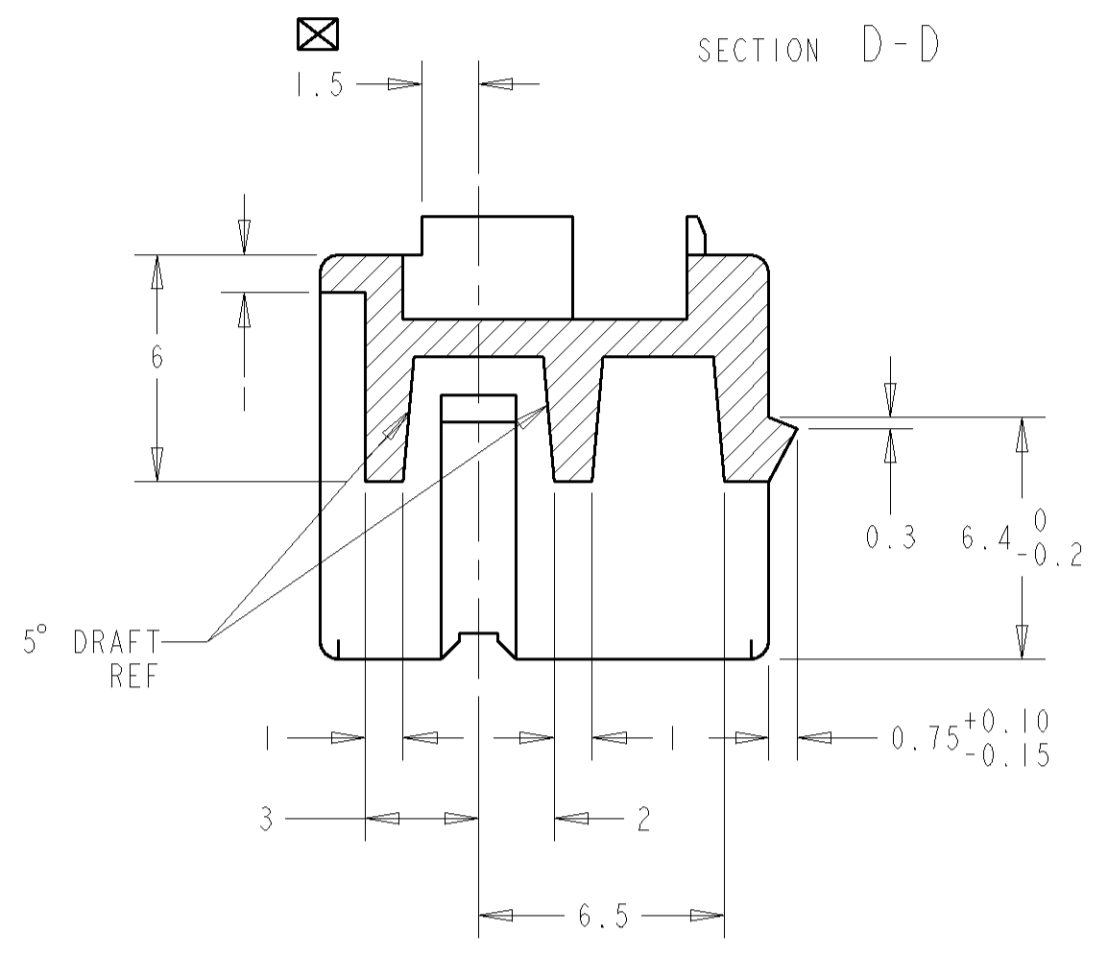
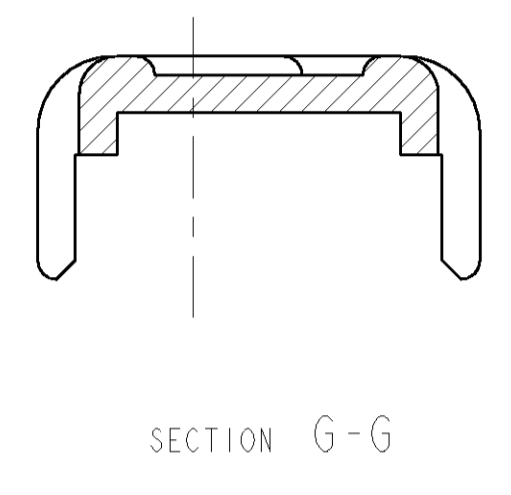
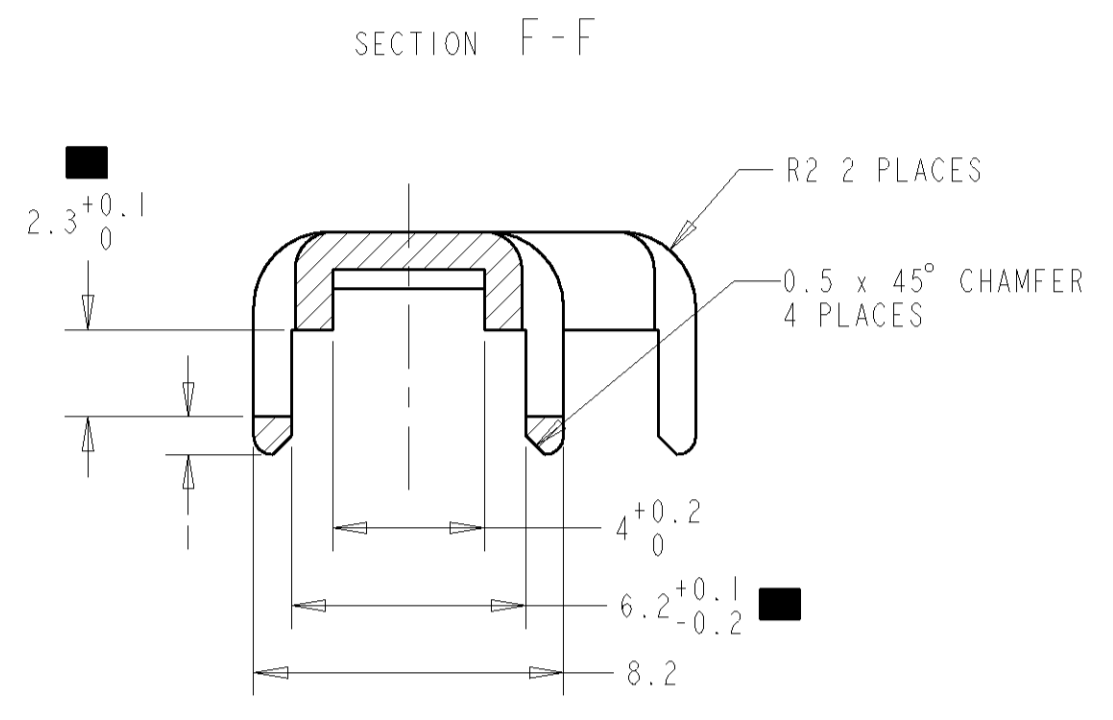
REVISONS		DATE	BY	APP'D
0	EB00-0554-00	14/12/00	RL	RB
A	EB00-0029-01	30/11/01	RL	RB
A1	EB00-0180-01	17/5/01	RL	RB
4	EB00-0529-00	23/11/00	RL	RB



- GENERAL NOTES:
- ☒ CONTROL DIMENSION: FOR USE IN SPC STUDIES
 - KEY DIMENSION: NO DEVIATION PERMITTED
 - ☒ MAJOR DIMENSION

DIMENSIONS:		TOLERANCES UNLESS OTHERWISE SPECIFIED:		DWG: R LOFFLER 13DEC2000		TYCO		Tyco Electronics UK Ltd,	
mm		0 PLC ±0.1		CHK: B BAKER 13DEC2000		Esconics		Stammore, Middlesex, HAT 4RS.	
Ø		1 PLC ±0.1		APP'D: B BAKER 13DEC2000		NAME		-	
H		2 PLC ±0.05		PRODUCT SPEC		HID 2 WAY FASTON HOUSING		RESTRICTED TO	
D		3 PLC ±		APPLICATION SPEC		SIZE CAGE CODE DRAWING NO		A1 00779 C=1337246	
R		4 PLC ±		WEIGHT		SCALE 5:1		SHEET 1 OF 2	
MATERIAL SEE TABLE		FINISH N/A		CUSTOMER DRAWING		SCALE 5:1		REV A1	

LOC		DIST		REVISIONS			
E	B	P	LTR	DESCRIPTION	DATE	DRN	APVD
				SEE SHEET 1			



DIMENSIONS:		TOLERANCES UNLESS OTHERWISE SPECIFIED:		DRN R LOFFLER 13DEC2000	Tyco Electronics UK Ltd, Stanmore, Middlesex, HAT 4RS.
mm		0 PLC ±0.1 1 PLC ±0.1 2 PLC ±0.05 3 PLC ± 4 PLC ± ANGLES ±0.5 FINISH N/A		CHK B BAKER 13DEC2000	
MATERIAL SEE SHEET 1		CUSTOMER DRAWING		APVD B BAKER 13DEC2000	NAME -
				PRODUCT SPEC N/A	SIZE -
				APPLICATION SPEC N/A	APPLICATION SPEC -
				WEIGHT N/A	RESTRICTED TO -
				CAGE CODE A1 00779	DRAWING NO C=1337246
				SCALE 5:1	SHEET 2 OF 2
				REV A1	