

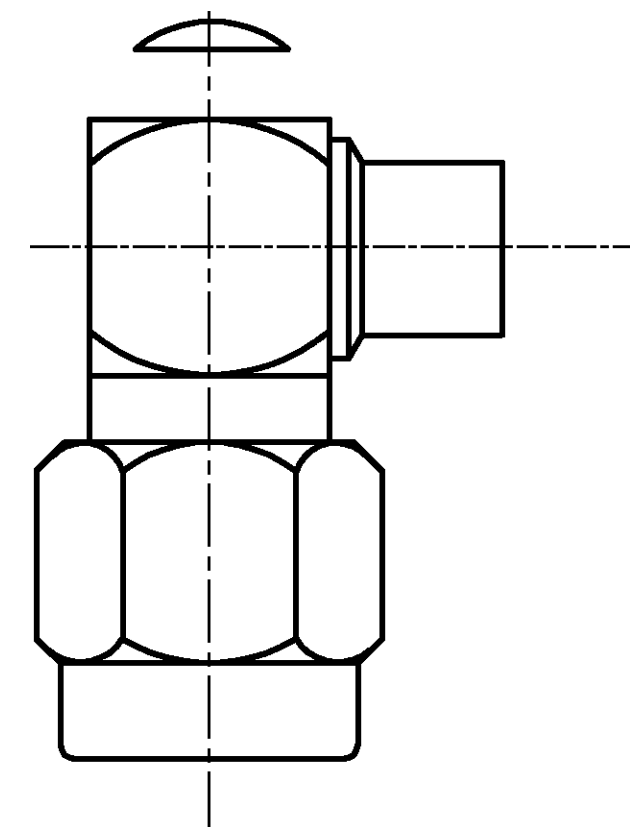
THIS DRAWING IS UNPUBLISHED. RELEASED FOR PUBLICATION N/A, N/A		
COPYRIGHT N/A BY TYCO ELECTRONICS CORPORATION. ALL RIGHTS RESERVED.		
COMPONENT	MATERIAL	FINISH
COUPLING NUT	STAINLESS STEEL PER ASTM-A-484 OR ASTM-A-582 TYPE 303	PASSIVATED PER ASTM-A-380
DIELECTRIC	PTFE FLUOROCARBON PER ASTM-D-1457	-
CENTER CONTACT	BERYLLIUM COPPER PER ASTM-B-194 ALLOY C17200, CONDITION H	GOLD PLATED PER ASTM-B-488
HOUSING CAP	STAINLESS STEEL PER ASTM-A-484 OR ASTM-A-582 TYPE 303	GOLD PLATED PER ASTM-B-488
GASKET	SILICONE RUBBER PER ZZ-R-765	-
RETAINING RING	BERYLLIUM COPPER PER ASTM-B-194 ALLOY C17200, CONDITION H	-

ENVIRONMENTAL	
TEMPERATURE RATING:	-65°C TO +165°C
VIBRATION:	MIL-STD-202, METHOD 204, CONDITION D
SHOCK:	MIL-STD-202, METHOD 213, CONDITION 1
MOISTURE RESISTANCE:	MIL-STD-202, METHOD 106
CORROSION:	MIL-STD-202, METHOD 101, CONDITION B. 5% SALT SPRAY
THERMAL SHOCK:	MIL-STD-202, METHOD 107, CONDITION B EXCEPT HIGH TEMP 115°C

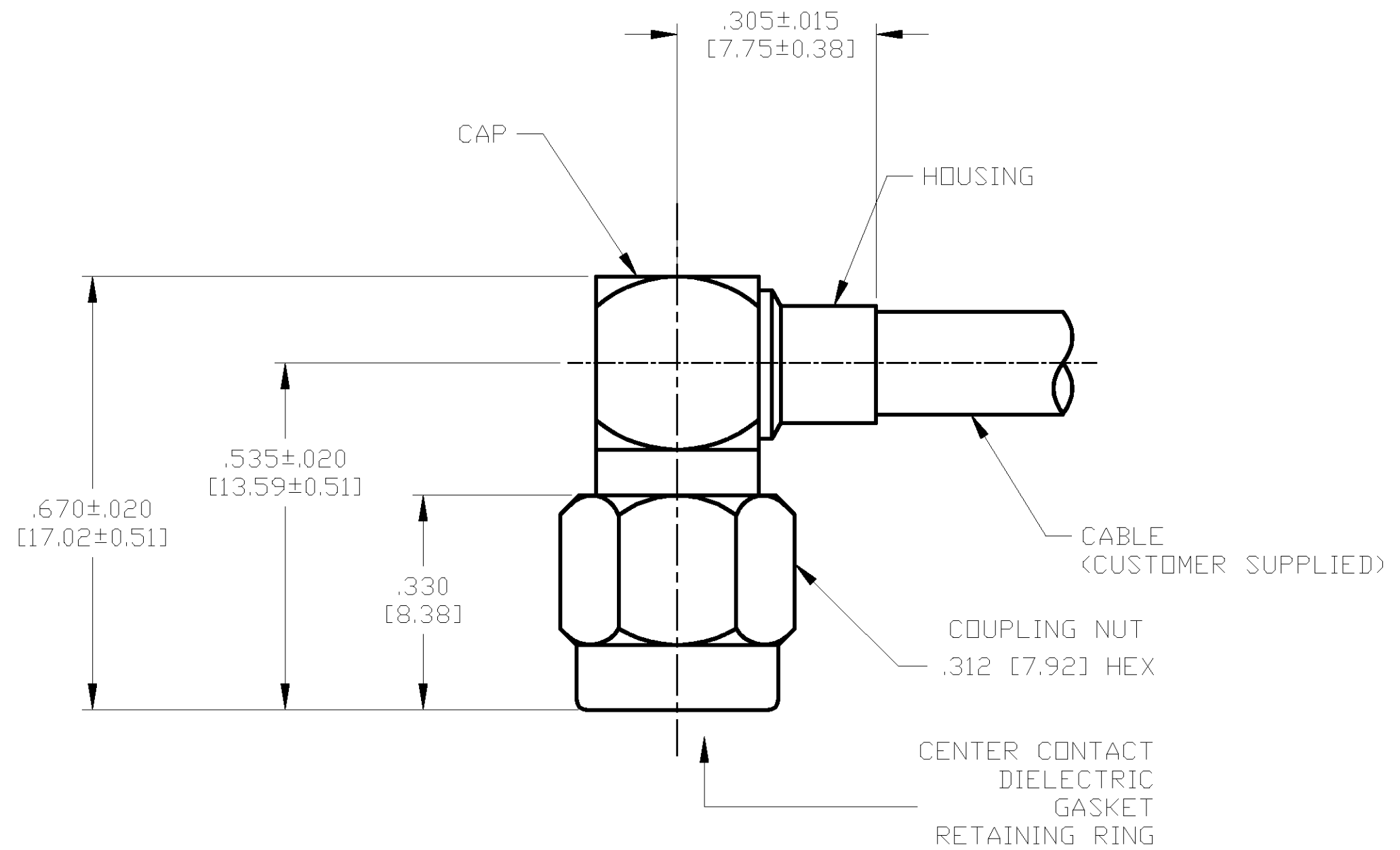
MECHANICAL	
INTERFACE DIMENSIONS:	MIL-STD-348A FIG. 310.1
RECOMMENDED MATING TORQUE:	7-10 IN-LBS
FORCE TO ENGAGE & DISENGAGE (IN-LBS MAX):	2.0
WEIGHT (GRAMS):	TBD
MATING CHARACTERISTICS:	INSERTION (MAX LBS): N/A WITHDRAWAL (MIN OZ): N/A
CABLE RETENTION:	AXIAL FORCE (LBS): 60 MIN TORQUE (IN-OZ): 55.0
CENTER CONTACT CAPTIVATION:	AXIAL (LBS): 6.0 RADIAL (IN-OZ): N/A

ELECTRICAL	
NORMAL IMPEDANCE (OHMS):	50
FREQUENCY RANGE (GHz):	DC TO 12.4
VOLT RATING @ SEA LEVEL (VRMS MAX):	500
VSWR:	1.10+0.01f(GHz)
INSERTION LOSS: (dB MAX):	.05 $\sqrt{f(\text{GHz})}$
RF LEAKAGE (dB MIN):	-90 @ 2-3 GHz
CORONA 70,000 FT (VRMS MIN):	375
DIELECTRIC WITHSTANDING VOLTAGE (VRMS MIN) AT SEA LEVEL:	1500
I.R. (MEGOHMS MIN):	5,000
RF HIGH POTENTIAL AT SEA LEVEL (VRMS MIN @ 5 MHz):	1000
CONTACT RESISTANCE (MILLIOHMS MAX):	CENTER CONTACT: 4.0 OUTER CONTACT: 2.0 CABLE TO HOUSING: 0.5

LOC		DIST		REVISIONS			
DF	XO	P	LTR	DESCRIPTION	DATE	DWN	APVD
		O		RELEASED	11-02	JMK	JL



AS SHIPPED TO CUSTOMER



ASSEMBLED VIEW

DESIGNED TO USE RG-402/U OR EQUIVALENT CABLE ENTRY DIAMETER MIN	HOUSING: .145 [3.68]	CONTACT: .037 [0.94]

THIS DRAWING IS A CONTROLLED DOCUMENT.	
DIMENSIONS: INCHES [mm]	TOLERANCES UNLESS OTHERWISE SPECIFIED: 0 PLC ± - 1 PLC ± - 2 PLC ± - 3 PLC ± .005 [0.13] 4 PLC ± - ANGLES ± -
MATERIAL SEE TABLE	FINISH SEE TABLE

DWN J. KAISER 10/07/02	CHK J. LIPPERT 11-20-02	APVD J. LIPPERT 11-20-02	NAME SMA RIGHT ANGLE CABLE PLUG-DIRECT SOLDER ATTACHMENT (M39012/80-3106) CAT E
SIZE A2	CAGE CODE 00779	DRAWING NO 1051176	RESTRICTED TO -
WEIGHT TBD	CUSTOMER DRAWING	SCALE 5:1	SHEET 1 OF 1

1051176-1
PART NO.