



## Certifications & Ratings

- RoHS Compliant

## Application

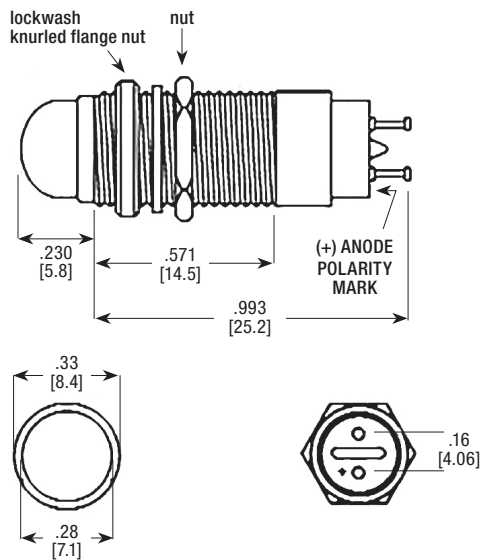
Dialight's 249 series LED panel mount indicator is available with a variety of LED's including AlInGap and InGan technology for high brightness applications. These indicators are designed for a variety of applications such as:

- Main and remote power indication
  - Status indication
  - Maintenance and warning indication
  - Instrumentation
  - Process control
- ... and many more!

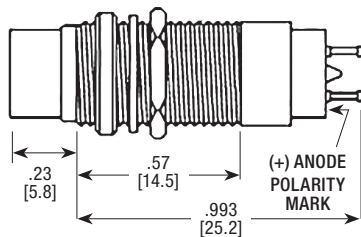
## Dimensions

inches [mm]

### Stovepipe Lens



### Cylindrical Lens



\*Cylindrical lens will provide wider viewing angle

## Mechanical information

**Mounting Hole Size:** 0.375" (9.53 mm)

**Max Panel Thickness:** 0.312" (7.92 mm)

**Mounting Torque:** 8–10 in-lbs torque

## Specifications

**Voltage Options:** 3.6, 5, 10, 14, and 28VDC  
(no resistor required)

**Operating Temp:** -55 °C to +71 °C (-67 °F to +159.8 °F)

**Storage Temp:** -55 °C to +71 °C (-67 °F to +159.8 °F)

**Electrical Connection:** Turret terminals for wire wrapping

**Housing:** Aluminum — Black Anodized

**Terminals:** Phosphor Bronze — Fused Tin

**Knurled Flange Nut:** Aluminum — Black Anodized

**Lock Washer:** Phosphor Bronze — White Nickel Plated

**Nut:** Brass — White Nickel Plated



## Ordering Information 249 Series

### Stovepipe Lens

Dialight P/N	Color	Voltage (VDC)*	Current (mA)	Typical Intensity (mcd)
249-4162-3734-504F	Blue	3.5**	10	1500
249-7867-3731-504F	Red	3.6	20	170
249-7967-3732-504F	Green			100
249-8067-3733-504F	Yellow			150
249-4164-3734-504F	Blue			10
249-7868-3731-504F	Red	5	20	170
249-7968-3732-504F	Green			100
249-8068-3733-504F	Yellow			150
249-4166-3734-504F	Blue			10
249-7870-3731-504F	Red	10	20	170
249-7970-3732-504F	Green			100
249-8070-3733-504F	Yellow			150
249-4167-3734-504F	Blue			10
249-7871-3731-504F	Red	14	20	170
249-7971-3732-504F	Green			100
249-8071-3733-504F	Yellow			150
249-4168-3734-504F	Blue			10
249-7872-3731-504F	Red	28	20	170
249-7972-3732-504F	Green			100
249-8072-3733-504F	Yellow			150

### Cylindrical Lens

Dialight P/N	Color	Voltage (VDC)*	Current (mA)	Typical Intensity (mcd)
249-4162-3334-504F	Blue	3.5**	10	700
249-7867-3331-504F	Red	3.6	20	55
249-7967-3332-504F	Green			40
249-8067-3333-504F	Yellow			75
249-4164-3334-504F	Blue			10
249-7868-3331-504F	Red	5	20	55
249-7968-3332-504F	Green			40
249-8068-3333-504F	Yellow			75
249-4166-3334-504F	Blue			10
249-7870-3331-504F	Red	10	20	55
249-7970-3332-504F	Green			40
249-8070-3333-504F	Yellow			75
249-4167-3334-504F	Blue			10
249-7871-3331-504F	Red	14	20	55
249-7971-3332-504F	Green			40
249-8071-3333-504F	Yellow			75
249-4168-3334-504F	Blue			10
249-7872-3331-504F	Red	28	20	55
249-7972-3332-504F	Green			40
249-8072-3333-504F	Yellow			75

\*Dialight recommends tolerance of 5% of specified voltage range.

\*\*VF typical — Requires current limiting resistor

Dialight reserves the right to make changes at any time in order to supply the best product possible. The most current version of this document will always be available at: [www.dialightsignalsandcomponents.com](http://www.dialightsignalsandcomponents.com)

Warranty Statement: Except for the warranty expressly provided for [herein/above/below], Dialight disclaims any and all other warranties, express or implied, including, without limitation, any warranties of merchantability, fitness for a particular purpose, title, and noninfringement.