



## Certifications & Ratings

- RoHS Compliant

## Application

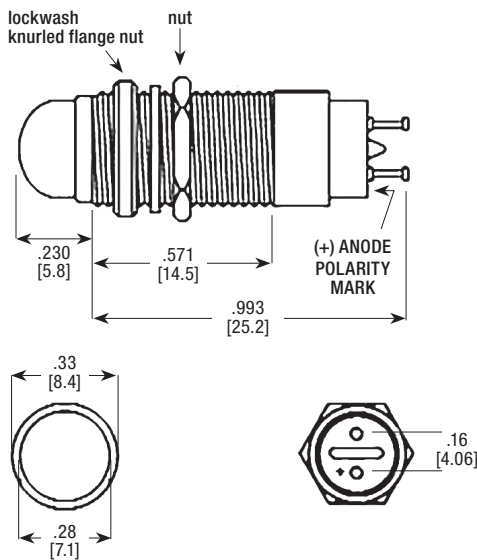
Dialight's 249 series LED panel mount indicator is available with a variety of LED's including AlInGap and InGan technology for high brightness applications. These indicators are designed for a variety of applications such as:

- Main and remote power indication
  - Status indication
  - Maintenance and warning indication
  - Instrumentation
  - Process control
- ... and many more!

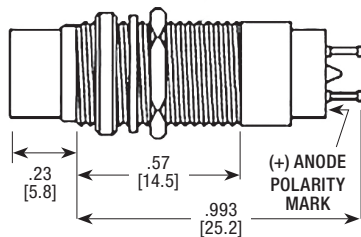
## Dimensions

inches [mm]

### Stovepipe Lens



### Cylindrical Lens



\*Cylindrical lens will provide wider viewing angle

## Mechanical information

**Mounting Hole Size:** 0.375" (9.53 mm)

**Max Panel Thickness:** 0.312" (7.92 mm)

**Mounting Torque:** 8–10 in-lbs torque

## Specifications

**Voltage Options:** 3.6, 5, 10, 14, and 28VDC  
(no resistor required)

**Operating Temp:** -55 °C to +71 °C (-67 °F to +159.8 °F)

**Storage Temp:** -55 °C to +71 °C (-67 °F to +159.8 °F)

**Electrical Connection:** Turret terminals for wire wrapping

**Housing:** Aluminum — Black Anodized

**Terminals:** Phosphor Bronze — Fused Tin

**Knurled Flange Nut:** Aluminum — Black Anodized

**Lock Washer:** Phosphor Bronze — White Nickel Plated

**Nut:** Brass — White Nickel Plated

## Ordering Information 249 Series

### Stovepipe Lens

| Dialight P/N       | Color  | Voltage (VDC)* | Current (mA) | Typical Intensity (mcd) |
|--------------------|--------|----------------|--------------|-------------------------|
| 249-4162-3734-504F | Blue   | 3.5**          | 10           | 1500                    |
| 249-7867-3731-504F | Red    | 3.6            | 20           | 170                     |
| 249-7967-3732-504F | Green  |                |              | 100                     |
| 249-8067-3733-504F | Yellow |                |              | 150                     |
| 249-4164-3734-504F | Blue   |                |              | 10                      |
| 249-7868-3731-504F | Red    | 5              | 20           | 170                     |
| 249-7968-3732-504F | Green  |                |              | 100                     |
| 249-8068-3733-504F | Yellow |                |              | 150                     |
| 249-4166-3734-504F | Blue   |                |              | 10                      |
| 249-7870-3731-504F | Red    | 10             | 20           | 170                     |
| 249-7970-3732-504F | Green  |                |              | 100                     |
| 249-8070-3733-504F | Yellow |                |              | 150                     |
| 249-4167-3734-504F | Blue   |                |              | 10                      |
| 249-7871-3731-504F | Red    | 14             | 20           | 170                     |
| 249-7971-3732-504F | Green  |                |              | 100                     |
| 249-8071-3733-504F | Yellow |                |              | 150                     |
| 249-4168-3734-504F | Blue   |                |              | 10                      |
| 249-7872-3731-504F | Red    | 28             | 20           | 170                     |
| 249-7972-3732-504F | Green  |                |              | 100                     |
| 249-8072-3733-504F | Yellow |                |              | 150                     |

### Cylindrical Lens

| Dialight P/N       | Color  | Voltage (VDC)* | Current (mA) | Typical Intensity (mcd) |
|--------------------|--------|----------------|--------------|-------------------------|
| 249-4162-3334-504F | Blue   | 3.5**          | 10           | 700                     |
| 249-7867-3331-504F | Red    | 3.6            | 20           | 55                      |
| 249-7967-3332-504F | Green  |                |              | 40                      |
| 249-8067-3333-504F | Yellow |                |              | 75                      |
| 249-4164-3334-504F | Blue   |                |              | 10                      |
| 249-7868-3331-504F | Red    | 5              | 20           | 55                      |
| 249-7968-3332-504F | Green  |                |              | 40                      |
| 249-8068-3333-504F | Yellow |                |              | 75                      |
| 249-4166-3334-504F | Blue   |                |              | 10                      |
| 249-7870-3331-504F | Red    | 10             | 20           | 55                      |
| 249-7970-3332-504F | Green  |                |              | 40                      |
| 249-8070-3333-504F | Yellow |                |              | 75                      |
| 249-4167-3334-504F | Blue   |                |              | 10                      |
| 249-7871-3331-504F | Red    | 14             | 20           | 55                      |
| 249-7971-3332-504F | Green  |                |              | 40                      |
| 249-8071-3333-504F | Yellow |                |              | 75                      |
| 249-4168-3334-504F | Blue   |                |              | 10                      |
| 249-7872-3331-504F | Red    | 28             | 20           | 55                      |
| 249-7972-3332-504F | Green  |                |              | 40                      |
| 249-8072-3333-504F | Yellow |                |              | 75                      |

\*Dialight recommends tolerance of 5% of specified voltage range.

\*\*VF typical — Requires current limiting resistor

Dialight reserves the right to make changes at any time in order to supply the best product possible. The most current version of this document will always be available at: [www.dialightsignalsandcomponents.com](http://www.dialightsignalsandcomponents.com)

Warranty Statement: Except for the warranty expressly provided for [herein/above/below], Dialight disclaims any and all other warranties, express or implied, including, without limitation, any warranties of merchantability, fitness for a particular purpose, title, and noninfringement.