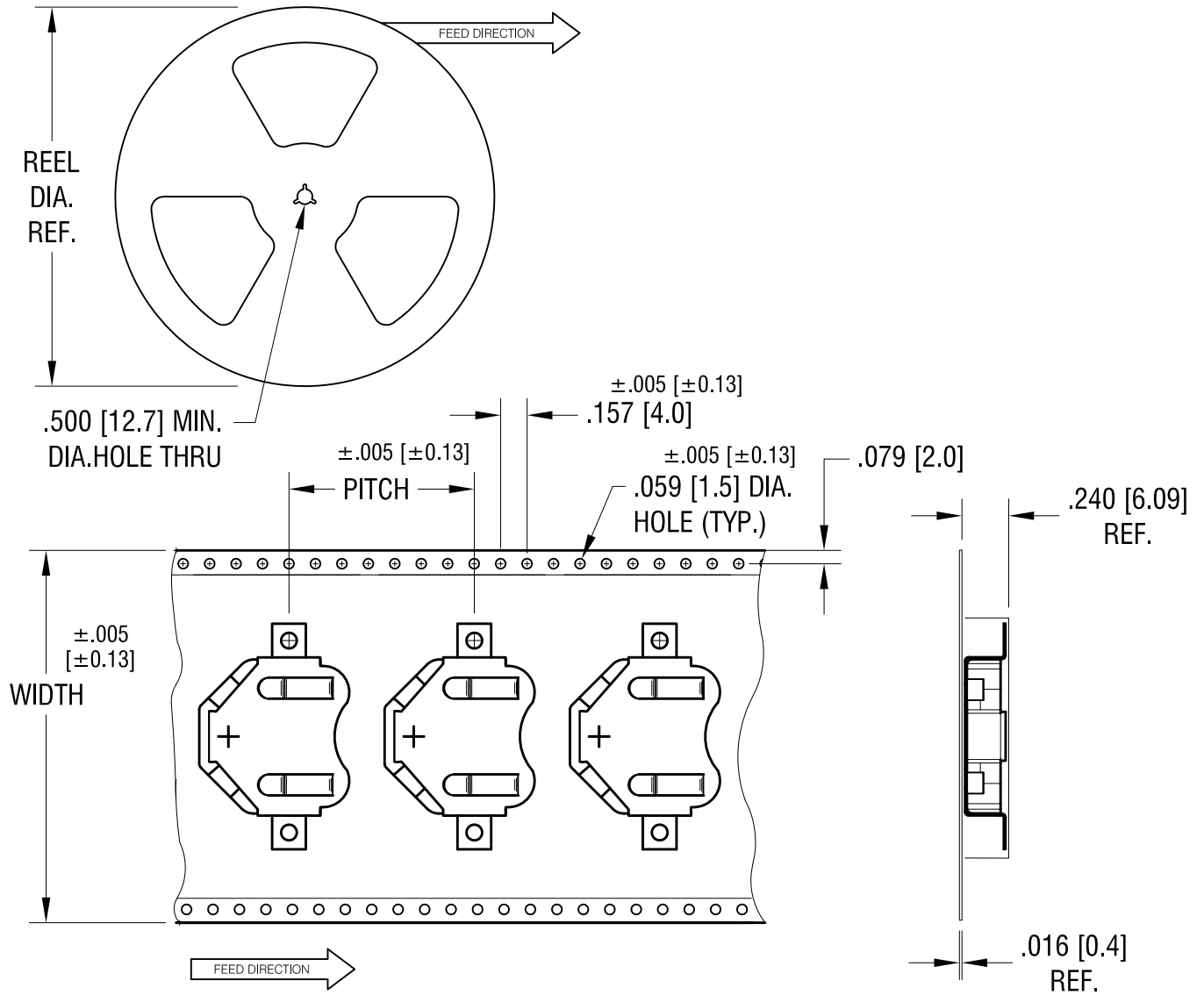


THIS DOCUMENT IS THE PROPERTY OF
KEYSTONE ELECTRONICS CORP. AND
SHALL NOT BE REPRODUCED, DISTRIBUTED
OR USED AS A BASIS FOR MANUFACTURE
WITHOUT PRIOR WRITTEN PERMISSION
FROM KEYSTONE ELECTRONICS CORP.



NOTES:

TAPE AND REEL SPECIFICATIONS:

1. TAPE:

MAT'L - ALL CONDUCTIVE POLYSTYRENE CARRIER
ANSI/EIA-481 STANDARD
2.20 [56.0] WIDE; 1.10 [28.00] PITCH

2. REEL:

13.0 [330.2] DIA. 250 PIECES OF
PART NO. 3022 PER REEL.

12.27.11	CHANGE AS PER ECN 11-168	A
DATE	DESCRIPTION	REV.

KEYSTONE ELECTRONICS CORP.			
www.keyelco.com • ASTORIA, N.Y. 11105-2017 • Tel (718) 956-8900			
PART NAME		SM RETAINER ON TAPE	
MATERIAL		AS NOTED	
FINISH		DRN BY	DATE
AS NOTED		NT	6.15.10
		APP'D	SCALE
		LN	X
TOLERANCES	INCH [MM]	CODE	DWG NO.
DECIMAL	± .015 [± 0.38]	C	3022TR
ANGULAR	± 1°		
UNLESS OTHERWISE SPECIFIED			