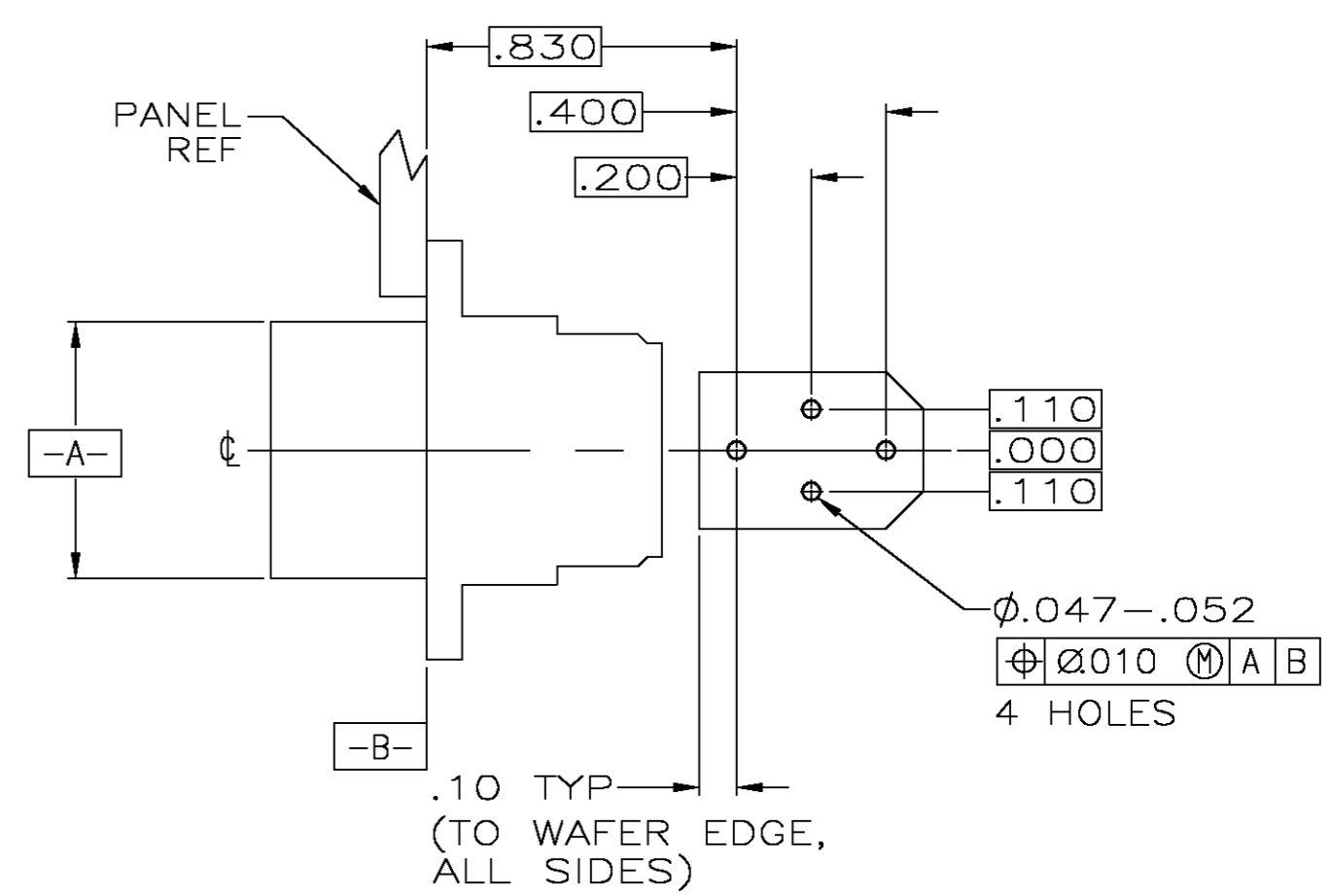
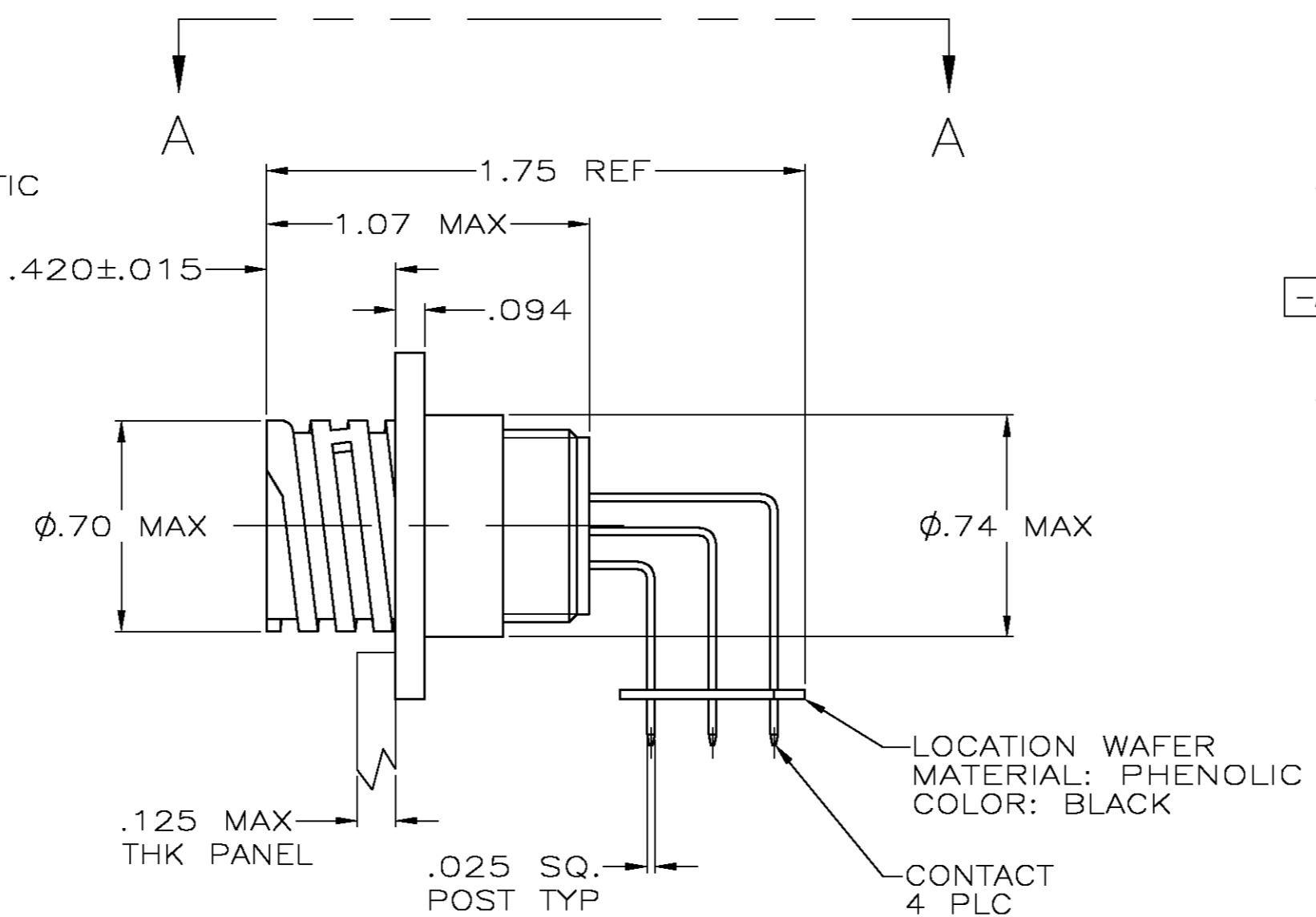
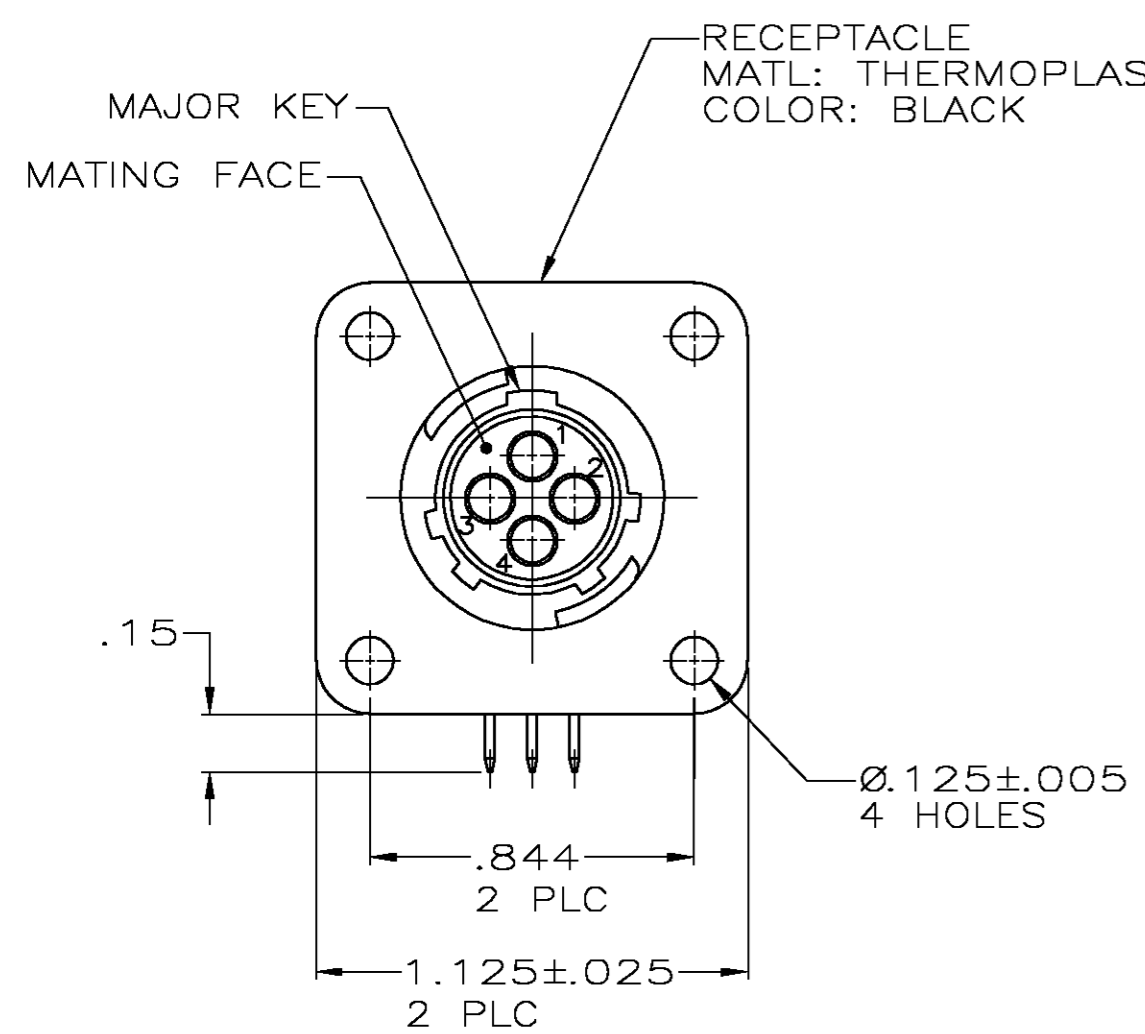
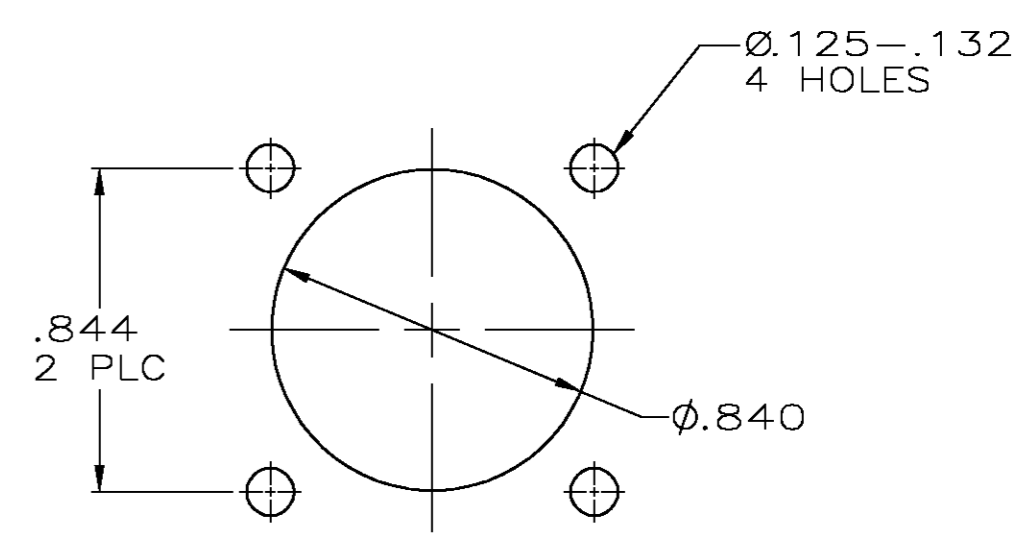


THIS DRAWING IS UNPUBLISHED. RELEASED FOR PUBLICATION
 © COPYRIGHT BY TYCO ELECTRONICS CORPORATION. ALL RIGHTS RESERVED.

LOC		DIST		REVISIONS			
P	LTR	DESCRIPTION	DATE	DWN	APVD		
FT	0	B	REVISED PER 0G3B-0100-05	5/4/05	SS	HW	



VIEW A-A
 RECOMMENDED PC BOARD LAYOUT



RECOMMENDED PANEL CUTOUT

- CONTACT CAVITIES IDENTIFIED BY CHARACTERS ON FRONT AND REAR FACES OF CONNECTOR.
- #4 FASTENER RECOMMENDED FOR MOUNTING.
- CONTACT BODY: .000030 MIN GOLD FOR A LENGTH OF .200 MIN FROM MATING END, WITH REMAINDER TO BE GOLD FLASH, BOTH OVER .000050 MIN NICKEL.
 CONTACT POST: .000100 MIN TIN-LEAD OVER .000100 MIN COPPER.
- PC BOARD HOLE PATTERN IS DEFINED RELATIVE TO CONNECTOR C.L. AND PANEL MOUNTING FACE INDICATED.
- CONTACT BODY: .000030 MIN GOLD FOR A LENGTH OF .200 MIN FROM MATING END, WITH REMAINDER TO BE GOLD FLASH, BOTH OVER .000050 MIN NICKEL.
 CONTACT POST: .000100 MIN TIN OVER .000100 MIN COPPER.

5	1-796407-1
3	796407-1
CONTACT FINISH	PART NUMBER

THIS DRAWING IS A CONTROLLED DOCUMENT.		DWN HAMNER 3-20-00	Tyco Electronics Corporation Harrisburg, Pa 17105-3608	
DIMENSIONS: INCHES		CHK M.CHACKO 3-23-00	NAME	
TOLERANCES UNLESS OTHERWISE SPECIFIED:		APVD M.CHACKO 3-23-00	RECEPTACLE ASSY, POSTED, RT ANGLE, RVS SEX, SIZE 11-4, SERIES 1, CPC	
0 PLC ± -		PRODUCT SPEC	SIZE CAGE CODE DRAWING NO RESTRICTED TO	
1 PLC ± -		APPLICATION SPEC	A2 00779 C=796407	
2 PLC ± .03		WEIGHT	SCALE SHEET OF REV	
3 PLC ± .010		CUSTOMER DRAWING	2:1 1 OF 1 B	
4 PLC ± -				
ANGLES ± -				
FINISH				

796407