

4

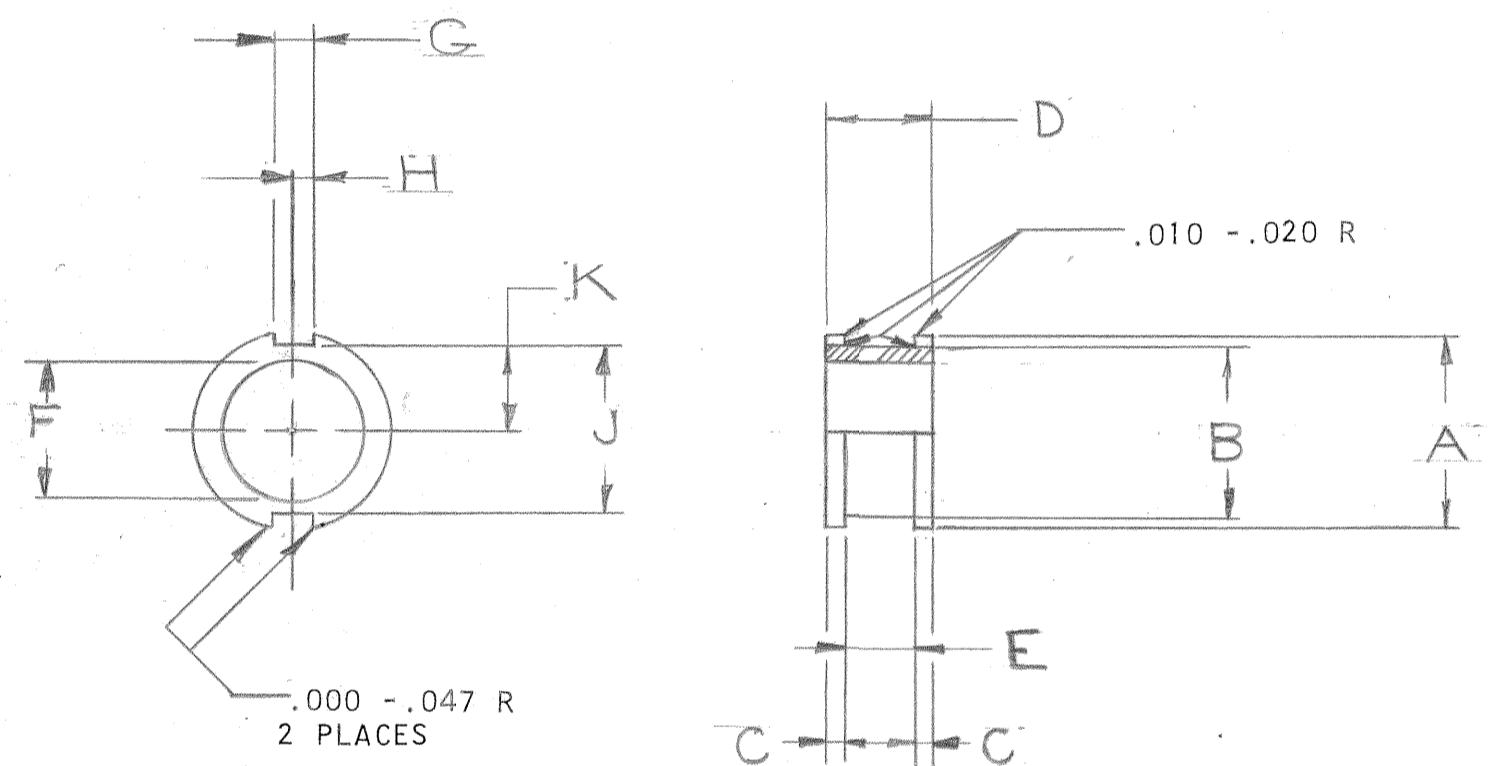
3

2

1

PART NUMBER	A DIA	B DIA	C	D REF	E	F DIA	G	H	J	K	RELEASE
10-36565-101	.344	.250	.062	.468	.344	.125	.125	.062	.250	.125	24708-41
-121	.406	.312				.125	.125		.312	.156	24708-41
-122	.406	.312				.188	.125		.312	.156	24600-4
-141	.532	.438				.125	.156	.078	.438	.219	24708-41
-142						.250					24708-41
-143						.312					24600-4
-161	.656	.562				.250			.562	.281	24708-41
-162						.312					24600-4
-163						.375					24708-41
-164						.460					32608-122 PPL
-181	.719	.625				.250	.219	.109	.625	.312	24708-41
-182						.375					24708-41
-183						.500					24600-4
-201	.844	.750	.094	.532		.250			.750	.375	24708-41
-202						.500					24708-41
-203						.625					24600-4
-204						.438					36536-129
-205						.312					
-206						.562					
-221						.250					24708-41 INACTIVE
-222						.500					
-223						.625					
-231	1.094	1.000				.625	.281	.141	1.000	.500	32524-172 C2
-232						.800					32524-172 C2
-233						.828					37959-4
-234						.375					
-241	1.032	.938				.250			.938	.469	24708-41
-242						.500					
-243						.625					
-244						.750					24600-4
-245						.797					37959-4
-251	1.235	1.141				.750			1.141	.572	32524-172 C2
-252						1.000				.572	32524-172 C2
-253						.625				.571	36508-253
-281	1.032	.938				.250			.938	.469	24708-41 INACTIVE
-282						.500					
-283						.625					

REL NO. 24600-4		REVISIONS		
CHG NO.	SYM	DESCRIPTION	DATE	APPROV.
47513-25	A2	REDRAWN, PPL SAME SIZE	8-4-67 JAGGER	<i>Jagger</i>
96286	B	(CII) REVISED MATERIAL SPEC BLOCK	7-6-05 JED	<i>JED</i>



DRAWING CONTROLLED BY ELECTRICAL CONNECTOR DESIGN GROUP

ITEM	QTY REQD	PART NUMBER	DESCRIPTION	NOTE
PARTS LIST				
UNLESS OTHERWISE SPECIFIED		DRAWN: B.F.	DATE: 9-19-49	THE Bendix CORPORATION ELECTRICAL COMPONENTS DIVISION SIDNEY NEW YORK U.S.A.
LINEAR DIMENSIONS ARE IN INCHES. TOLERANCES: .XXX ± .010, .XX ± .03, X ± .1, ANGLES ± 2° OTHER STANDARDS PER 9-3800 AND MIL-STD-8. NOTE REF		CHECKED: <i>Balantis</i>	DATE: 8-24-67	
MATERIAL SPEC SYNTHETIC RUBBER 9-1864		MATERIAL: <i>epoxy</i>	STANDARDS: <i>Balantis</i>	TITLE: GROMMET, CABLE CLAMP
PROCESS SPEC		DRAFTING: <i>Stewart</i>	ENGINEERING: <i>J.M. Jagger</i>	SIZE: C
9-3764 OR SEE NOTE 1		DEVELOPMENT:		CODE IDENT NO. 77820
10-36559				10-36565
10-36560				
NEXT ASSEMBLY				SCALE: NONE WT REF SHEET 1 OF 2

1. ENGINEERING SOURCE APPROVAL REQUIRED.

NOTES:

D

C

B 10-36565

A

R

2

4

3

2

1

PART NUMBER	A DIA	B DIA	C	D REF	E	F DIA	G	H	J	K	RELEASE
10-36565-284	1.032	.938	.094	.532	.344	.750	.281	.141	.938	.469	24708-41 INACTIVE
--321	1.344	1.250	.125	.781	.531	.375	.281	.141	1.250	.625	24708-41
--322						.625					
-323						.875					
-324						1.000					24600-4
-325						1.062					38532-36
-326						1.125					38532-48
-331	1.625	1.531				1.250			1.531	.766	32524-172 C2
-332						1.328					32524-172 C2
-333						1.156					36536-168
-361	1.469	1.375				.625			1.375	.688	24708-41
-362						.875					
-363						1.000					
-364						1.125					25600-4
-371	1.812	1.719				1.375			1.719	.860	32524-172 C2
-372						1.469					36536-102
-373						1.531					
-401	1.719	1.625				.625			1.625	.812	24708-41 C2
-402						.875					
-403						1.000					
-404						1.125					
-411	2.125	2.031				1.656			2.031	1.016	
-441	2.369	2.219				2.000			2.219	1.109	
-442						1.906					36524-502
-443						1.750					36536-129
-481	2.588	2.438				2.000			2.438	1.219	
-482	2.588	2.438				2.188			2.438	1.219	38536-119

REL NO.		REVISIONS		
CHG NO.	SYM	DESCRIPTION	DATE	APPROVED
	A2 B	SEE SHEET 1 FOR ALL CHANGES		

D

D

C

C

B

B

A

A

10-36565

SEE SHEET 1
NOTES:

10-36560
10-36559
NEXT ASSEMBLY

ITEM	QTY REQD	PART NUMBER	DESCRIPTION	NOTE
PARTS LIST				
UNLESS OTHERWISE SPECIFIED LINEAR DIMENSIONS ARE IN INCHES. TOLERANCES: .XXX ± .010, .XX ± .03, X ± .1, ANGLES ± 2°. OTHER STANDARDS PER 9-3800 AND MIL-STD-8. NOTE REF			DRAWN: B.F. DATE: 10-6-49	THE Bendix CORPORATION ELECTRICAL COMPONENTS DIVISION SIDNEY NEW YORK, U.S.A.
MATERIAL SPEC SEE SHEET 1			CHECKED: <i>Balantini</i> DATE: 8-24-67	
PROCESS SPEC			MATERIAL: <i>RPE 8/24/67</i>	TITLE: GROMMET, CABLE CLAMP
			STANDARDS: <i>Balantini</i>	SIZE: C
			DRAFTING: <i>Admet</i>	CODE IDENT NO. 77820
			ENGINEERING: <i>AMZ</i>	10-36565
			DEVELOPMENT:	SCALE NONE
				WT
				REF
				SHEET 2