

4

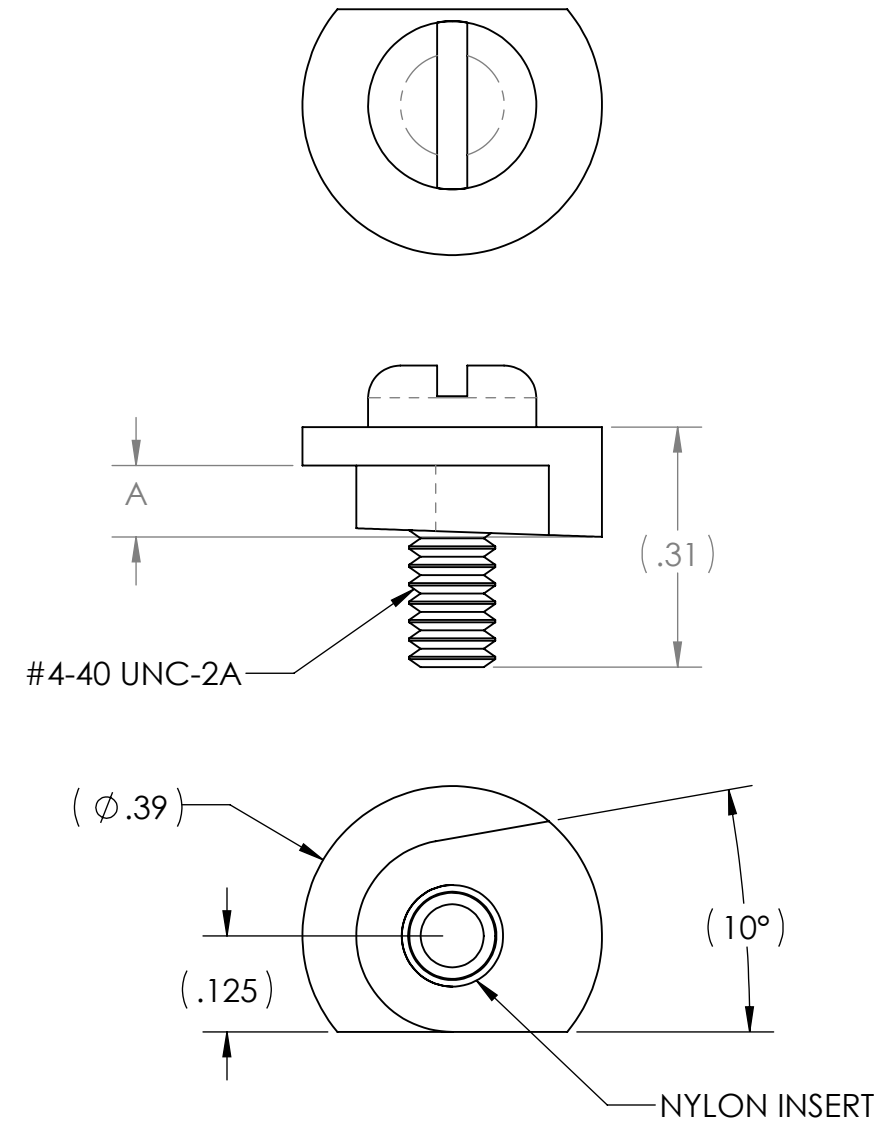
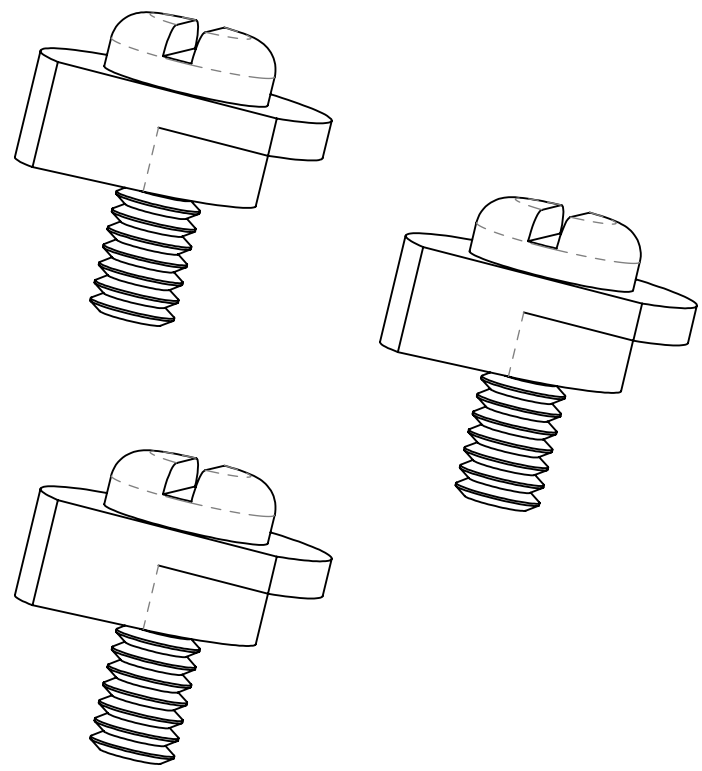
3

2

1

ZONE	REV.	REVISION DESCRIPTION	ECN NO.	DATE

P/N (SET OF THREE)	LENGTH A	FOR USE WITH	BOLT CIRCLE REF.
31165-001	.093	H20E	3x#4-40X.25 MIN THD DP on ϕ 2.275
		H25E	3x#4-40X.25 MIN THD DP on ϕ 2.775
31165-002	.125	H25G	3X#4-40X.25 MIN THD DP on ϕ 2.900



NOTES: (UNLESS OTHERWISE INDICATED)
 1. MATERIAL: SCREW AND CLAMP,
 316 STAINLESS STEEL WITH NYLON INSERT

UNCONTROLLED COPY		 BEI SENSORS 1461 LAWRENCE DRIVE THOUSAND OAKS, CA 93120			
FIRST ISSUE DATE: 04/15/19	SENSATA TECHNOLOGIES PROPRIETARY AND CONFIDENTIAL. NEITHER THIS PRINT NOR THE INFORMATION CONTAINED HEREON IS TO BE USED AGAINST THE INTERESTS OF SENSATA TECHNOLOGIES OR AGAINST THE INTERESTS OF ANY OF ITS AFFILIATED COMPANIES OR WHOLLY OWNED SUBSIDIARIES.	TITLE SYNCHRO CLAMP ASSY SET OF THREE			
DRAWN: DRC		INTERPRET DIMENSIONING AND TOLERANCING PER ASME Y14.5-2009. UNLESS OTHERWISE SPECIFIED DIMENSIONS ARE IN INCHES[MILLIMETERS] AND ARE INTENDED AS NOMINAL SEE PRODUCT SPECIFICATIONS FOR MORE DETAILS.	SIZE B	DWG NO. 09913-001	REV. .
APPROVED: MFB		DO NOT SCALE DRAWING	THIRD ANGLE PROJECTION	SCALE 4:1	SOLIDWORKS
DATE: 04/15/19					
ECN:					
DATE:					
MATERIAL:					

4

3

2

1

DEVICE:

PROJECT: