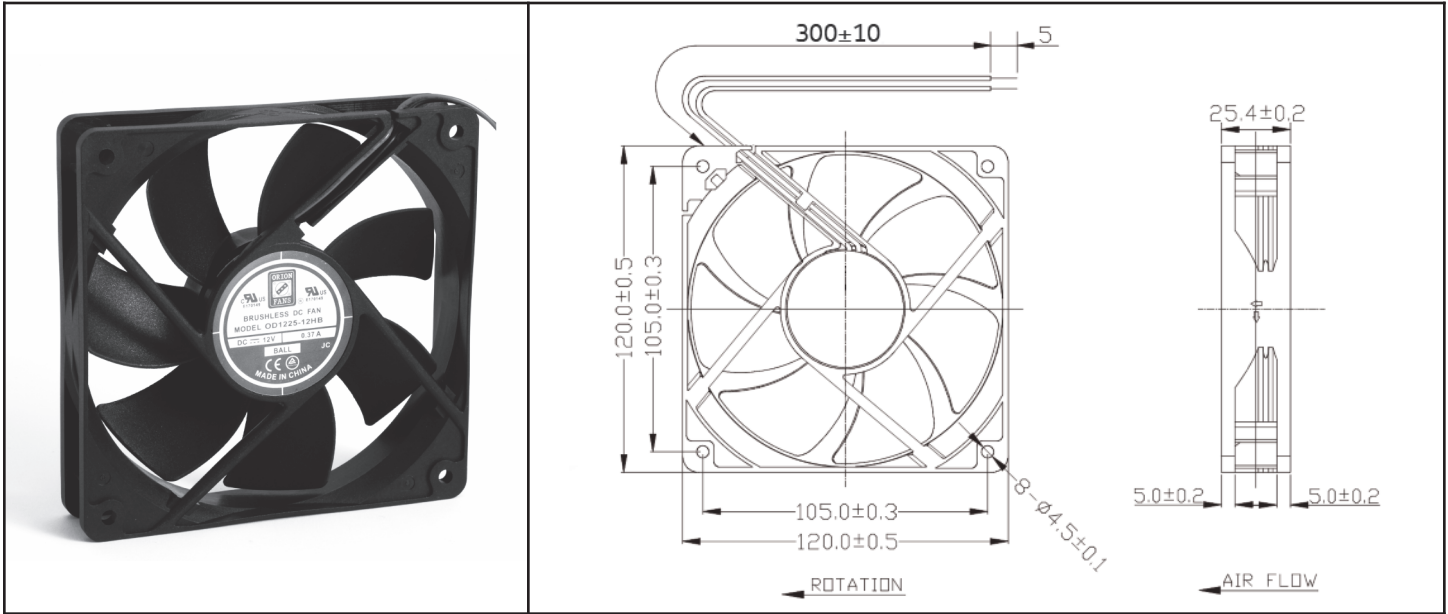


OD1225 Series



DC Fan - 12V, 24V
120x25mm (4.7"x 1.0")



Frame & Impeller	PBT, UL94V-0 plastic	Available Options Tachometer, Alarm, Thermal control IP55 Rated 48V Life Expectancy (L10) 65,000 hours (45C) Weight: ~0.35 lbs m1	
Connection	2x Lead wires 24AWG		
Motor	Brushless DC, auto restart, polarity protected		
Bearing System	Dual ball bearing		
Insulation Resistance	10M ohm between leadwire and frame (500VDC)		
Dielectric Strength	1 minute at 500 VAC, max leakage < 500 MicroAmp		
Temperature Range	-10C ~ 70C		
Storage Temperature	-40C ~ +80C		

Model Number	Speed (RPM)	Airflow (CFM)	Noise (dB)	Volts DC	Input Power (Watts)	Amps (max)	Max. Static Pressure ("H ₂ O)
OD1225-12HB	2200	89	39	12	5	0.37	0.14
OD1225-12MB	2050	83	38	12	4	0.33	0.12
OD1225-12LB	1800	72	34	12	3	0.24	0.10
OD1225-24HB	2200	89	39	24	5	0.19	0.14
OD1225-24MB	2050	83	38	24	4	0.17	0.12
OD1225-24LB	1800	72	34	24	3	0.14	0.10

* Indicate "B" to specify Ball bearing or "S" to specify Sleeve bearing