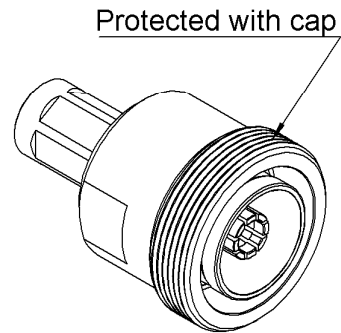
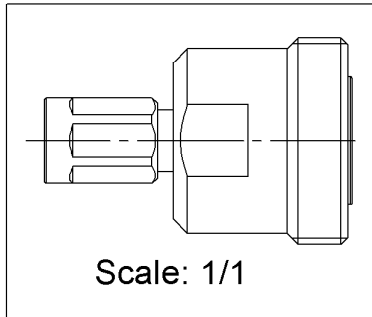
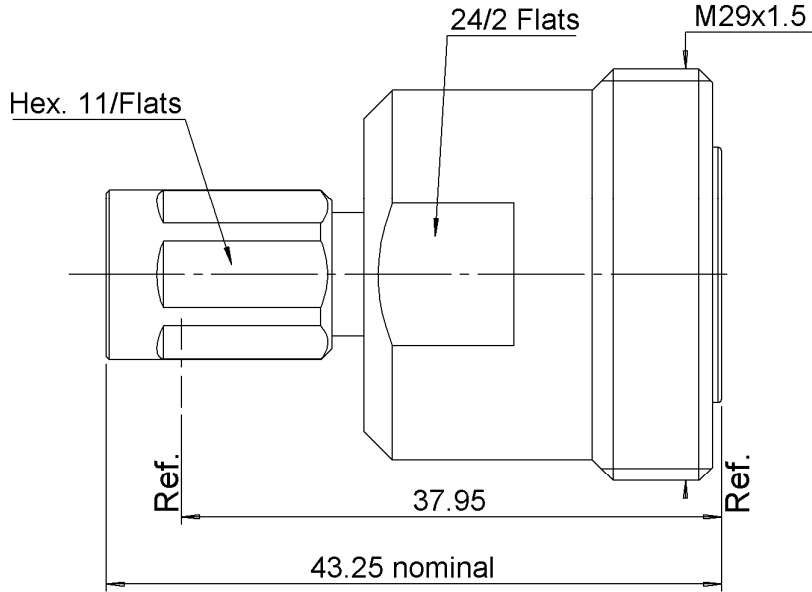
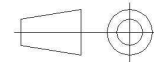


PAGE 1/2	ISSUE 31-01-18A	SERIES ADAPTER	PART NUMBER R191632016
----------	-----------------	--------------------------	-------------------------------



All dimensions are in mm. Tolerances according ISO 2768 m-H



COMPONENTS	MATERIALS	PLATING (µm)
Body	BRASS.	HEP2R
Center contact	BRONZE	SILVER
Outer contact	BERYLLIUM COPPER; BRASS	SILVER, BBR OVER SILVER
Insulator	PTFE	
Gasket	SILICONE	
Others parts	BERYLLIUM COPPER; BRASS	HEP2R
-	-	-
-	-	-

PAGE 2/2	ISSUE 31-01-18A	SERIES ADAPTER	PART NUMBER R191632016
----------	-----------------	-------------------	-------------------------------

PACKAGING

Standard	Unit	Other
1	Contact us	Contact us

ELECTRICAL CHARACTERISTICS

Impedance		50	Ω
Frequency		0-7.5	GHz
VSWR	TBD	+ 0.0000	x F(GHz) Maxi
Insertion loss		TBD	√F(GHz) dB Maxi
RF leakage	- (NA	- F(GHz) dB Maxi
Voltage rating		500	Veff Maxi
Dielectric withstanding voltage		1500	Veff mini
Insulation resistance		5000	MΩ mini

ENVIRONMENTAL

Operating	-55/+125	°C
Hermetic seal	NA	Atm.cm3/s
Panel leakage	NA	

MECHANICAL CHARACTERISTICS

Center contact retention			
Axial force – Mating End		27	N mini
Axial force – Opposite end		27	N mini
Torque		NA	N.cm mini

Recommended torque			
Mating	NEX10	150	N.cm
	7/16	0	N.cm
		0	N.cm
Panel nut			N.cm

Mating life		100	Cycles mini
Weight		84.5000	g

SPECIFICATION

OTHER CHARACTERISTICS

PIM3<-123dBm, 2 X 20W,1.8GHz