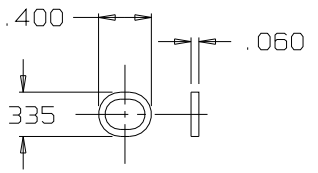
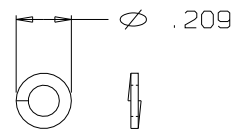


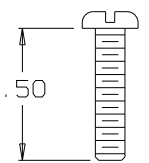
**B** MS-105CC



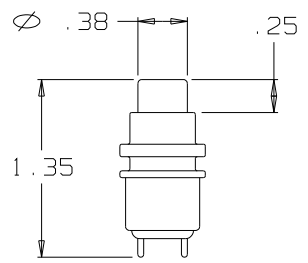
RING, STRAIN RELIEF  
TJ-106-10A  
(2 REQ'D)



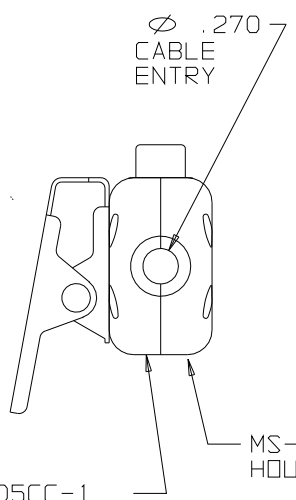
LOCKWASHER #4  
TJ-106-13  
(4 REQ'D)  
SCALE 2:1



SCREW #4  
SW-115C-16  
(4 REQ'D)  
SCALE 2:1

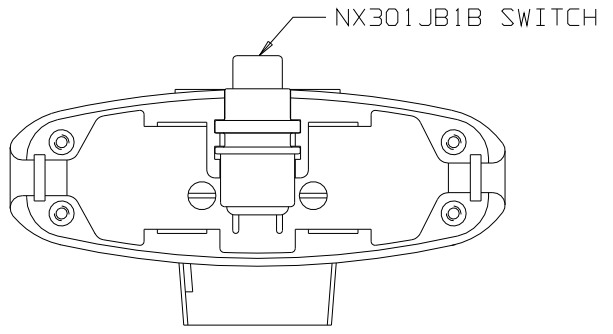
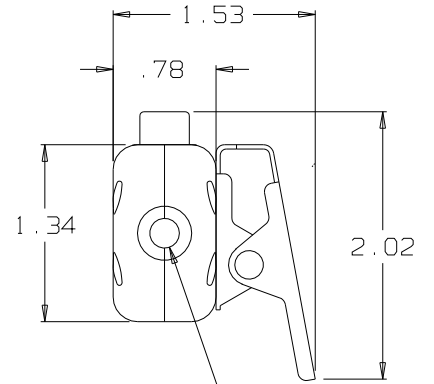
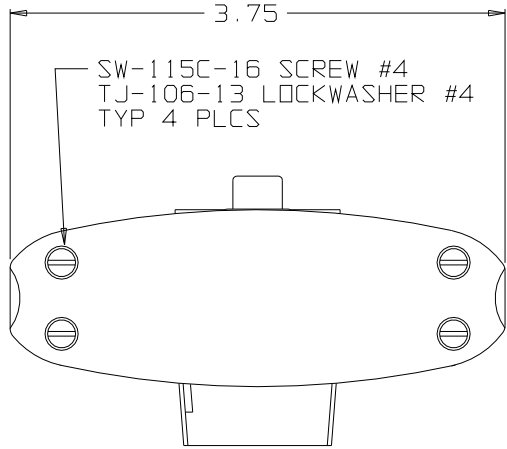


SWITCH  
NX301JB1B  
(1 REQ'D)



MS-105CC-1  
SHELL & CLIP  
ASS'Y

MS-105-2  
HOUSING PLAIN



MS-105CC WITH  
MS-105-2 REMOVED

THIS DOCUMENT CONTAINS PROPRIETARY INFORMATION OF NEXUS, INCORPORATED AND SUCH INFORMATION MAY NOT BE DISCLOSED TO OTHERS FOR ANY PURPOSE OR USED FOR ANY PURPOSE WITHOUT THE WRITTEN CONSENT OF NEXUS.

DWN. BY	EWT	DATE	2/16/04	MATERIAL		SEE FIELD OF DRAWING	
CHECKED BY		DATE		FINISH			
APPR. BY		DATE		WEIGHT	—	SCALE	1:1
UNLESS OTHERWISE SPECIFIED DIMENSIONS ARE IN INCHES TOLERANCES ON .XX .XXX ANGLES — ±.003 ±.5°				TITLE		NEXUS STAMFORD, CONN	
				MICROPHONE SWITCH W/ CLOTHING CLIP		SIZE	B
DO NOT SCALE DWG.				SHEET		1 OF 1	
DWG. NO.				MS-105CC			

B	DELETE P/N'S	126	4/9/12	HR
LET.	REVISION	CN #	DATE	CHK.