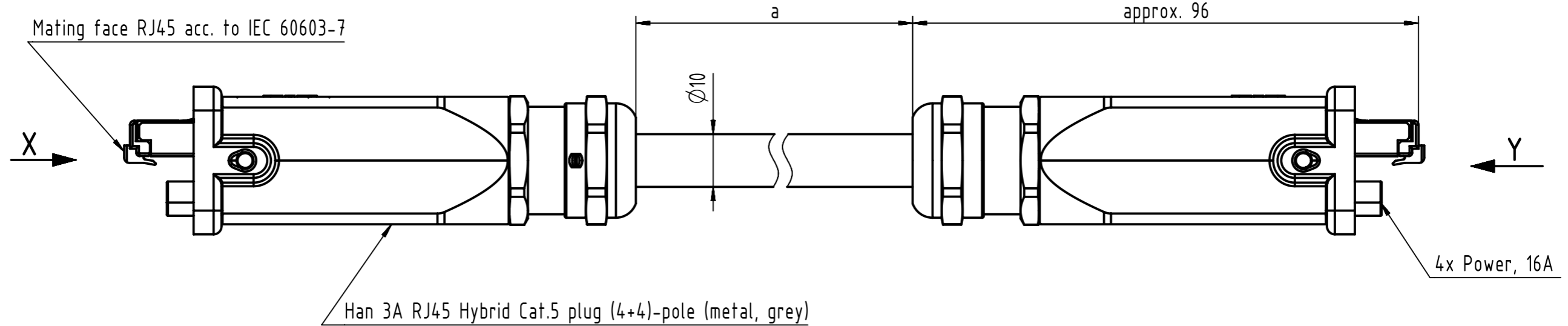


Connector Location A

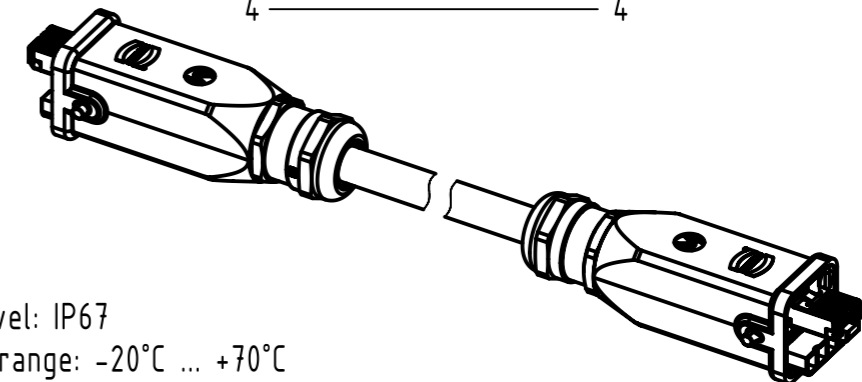
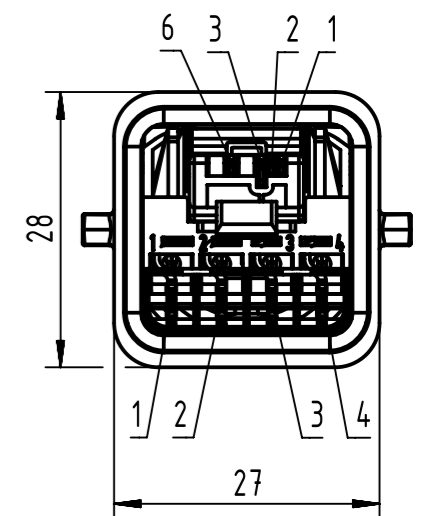
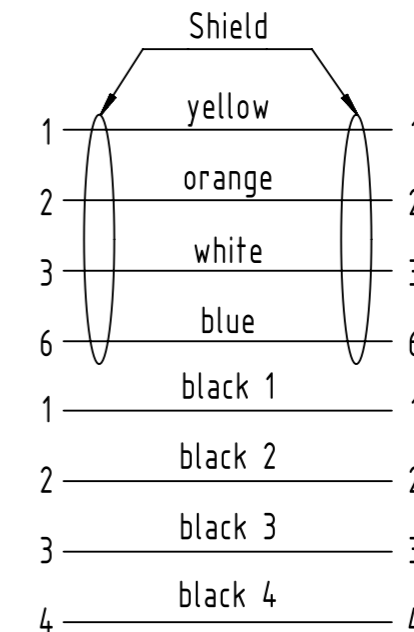
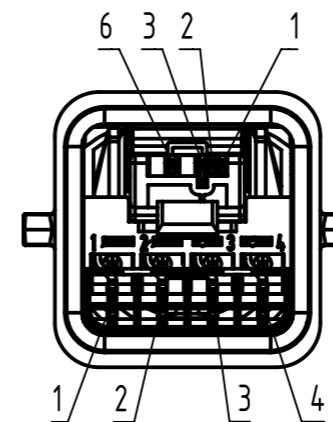
Connector Location B



X

Loading-Plan:

Y



Protection level: IP67
Temperature range: -20°C ... +70°C

23	09457151383	RJ45 Ethernet Hybrid cable, 4xAWG22/7 + 4x1.5mm ² , Cat.5, FRNC, green	100
22	09457151382		90
21	09457151381		80
20	09457151380		70
19	09457151379		60
18	09457151378		50
17	09457151377		40
16	09457151376		30
15	09457151385		25
14	09457151375		20
13	09457151374		15
12	09457151373		10
11	09457151372		9
10	09457151371		8
9	09457151370		7
8	09457151369		6
7	09457151368		5
6	09457151367		4
5	09457151366		3
4	09457151365		2
3	09457151364		1.5
2	09457151363		1
1	09457151362		0.5
Cont. no.	Part no.	Type of cable	Dim. a[m]

	All rights reserved Department HCS - RO	Tech. Character.		Free size tol.		According to production drawing	
		Created by COSTEA	Inspected by COSTEA	Standardisation MUNTEANV	Date 2017-12-11	State Final Release	
Title Han 3A RJ45 Hybrid Cable Assembly						Doc-Key / ECM-Nr. 100173949/UGD/003/D 500000128829	
HARTING Customised Solutions D-32339 Espelkamp		Type TB	Number 094571513XX		Rev. D	Page 1/1	

Mouser Electronics

Authorized Distributor

Click to View Pricing, Inventory, Delivery & Lifecycle Information:

[HARTING:](#)

[09457151366](#) [09457151368](#) [09457151373](#) [09457151375](#) [09457151364](#) [09457151379](#)