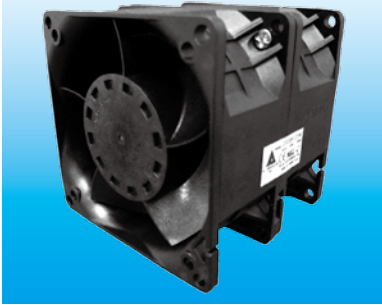
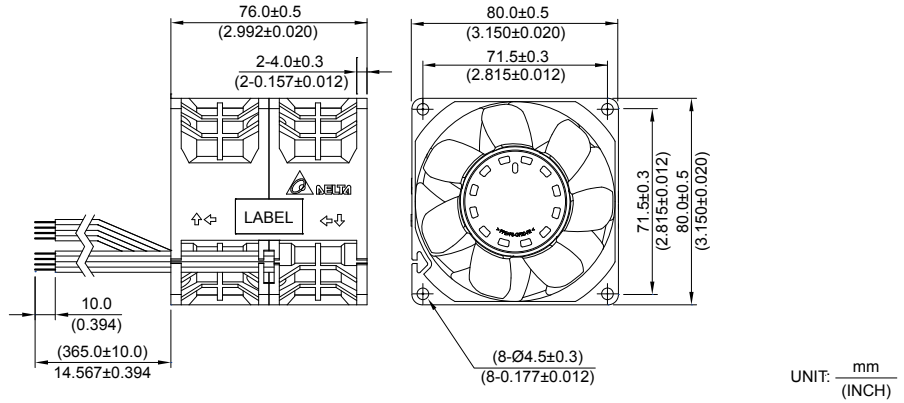


New



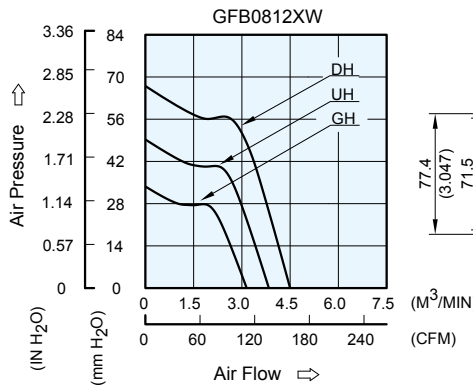
GFB 80 x 80 x 76 MM SERIES

DIMENSIONS DRAWING

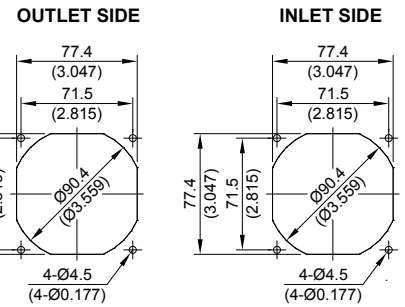


- * Bearing Type
Ball Bearings
- * Material
Impeller & Frame : Plastic (UL 94V-0)
- * Lead Wires :
UL 1007 AWG #24 OR Equivalent
Red And Orange Wire Positive (+)
Black And Brown Wire Negative(-)
- * Weight : 386g (13.62 oz)

P & Q CURVE (AT RATED VOLTAGE)



MOUNTING PANEL CUTOUT



UNIT: $\frac{\text{mm}}{\text{INCH}}$

MODEL		Rated Voltage	Operating Voltage Range	Rated Current	Rated Input Power	Speed (Front/Rear)	Maximum Air Flow		Maximum Air Pressure		Noise
PART NO.	FUNCTION	VDC	VDC	Amp	Watt	R.P.M.	m ³ /min	CFM	mmH ₂ O	IN H ₂ O	dB-A
GFB0812GHW	-R00 / -F00	12	7.0 to 13.2	1.96	23.52	6500/6800	3.150	111.24	33.69	1.326	67.0
GFB0812UHW	-R00 / -F00	12	7.0 to 13.2	3.24	38.88	7800/8200	3.839	135.57	49.26	1.940	72.0
GFB0812DHW	-R00 / -F00	12	7.0 to 13.2	5.50	66.00	9200/9600	4.540	160.33	66.32	2.610	75.2

- * Function type is optional.
- * The max. air flow and the speed are measured in free air ; max. air pressure is measured at zero air flow.
- * Noise is measured in anechoic chamber in free air, one meter from intake side.
- * All readings are typical values at rated voltage.
- * Specifications are subject to change without notice.