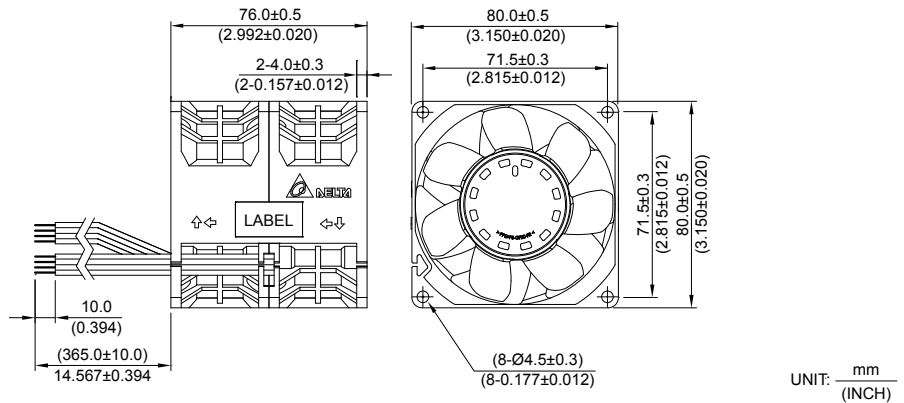


*New*



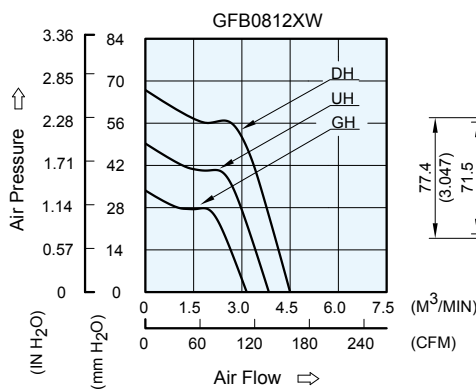
# GFB 80 x 80 x 76 MM SERIES

## ■ DIMENSIONS DRAWING



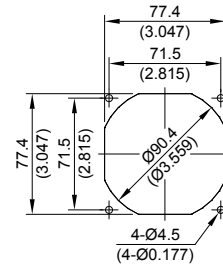
- \* Bearing Type  
Ball Bearings
- \* Material  
Impeller & Frame : Plastic (UL 94V-0)
- \* Lead Wires :  
UL 1007 AWG #24 OR Equivalent  
Red And Orange Wire Positive (+)  
Black And Brown Wire Negative(-)
- \* Weight : 386g (13.62 oz)

## ■ P & Q CURVE (AT RATED VOLTAGE)

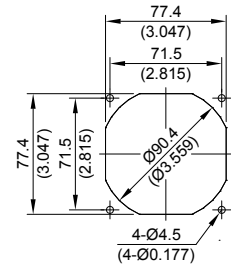


## ■ MOUNTING PANEL CUTOUT

### OUTLET SIDE



### INLET SIDE



UNIT:  $\frac{\text{mm}}{\text{(INCH)}}$

MODEL		Rated Voltage	Operating Voltage Range	Rated Current	Rated Input Power	Speed (Front/Rear)	Maximum Air Flow		Maximum Air Pressure		Noise
PART NO.	FUNCTION	VDC	VDC	Amp	Watt	R.P.M.	m <sup>3</sup> /min	CFM	mmH <sub>2</sub> O	IN H <sub>2</sub> O	dB-A
GFB0812GHW	-R00 / -F00	12	7.0 to 13.2	1.96	23.52	6500/6800	3.150	111.24	33.69	1.326	67.0
GFB0812UHW	-R00 / -F00	12	7.0 to 13.2	3.24	38.88	7800/8200	3.839	135.57	49.26	1.940	72.0
GFB0812DHW	-R00 / -F00	12	7.0 to 13.2	5.50	66.00	9200/9600	4.540	160.33	66.32	2.610	75.2

- \* Function type is optional.
- \* The max. air flow and the speed are measured in free air ; max. air pressure is measured at zero air flow.
- \* Noise is measured in anechoic chamber in free air, one meter from intake side.
- \* All readings are typical values at rated voltage.
- \* Specifications are subject to change without notice.