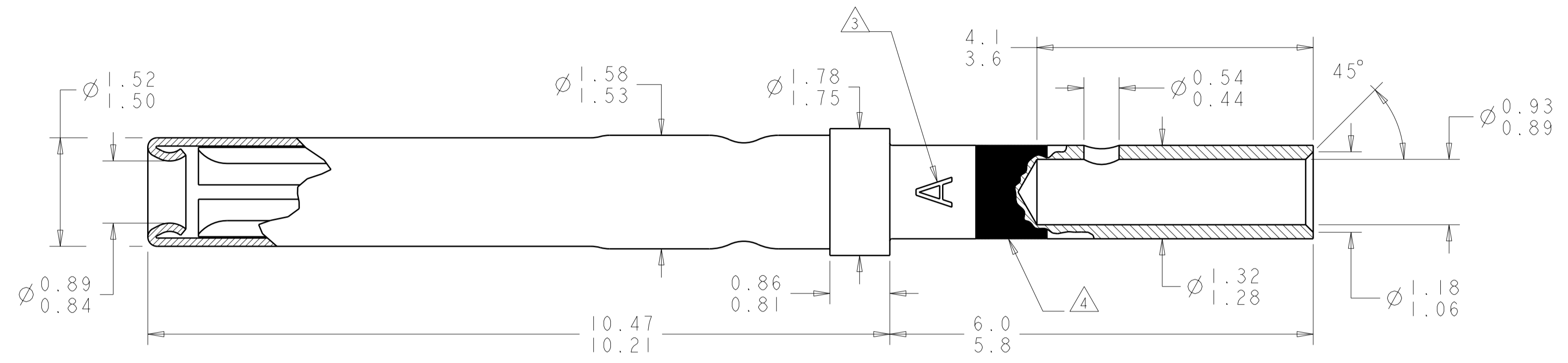


THIS DRAWING IS UNPUBLISHED. RELEASED FOR PUBLICATION  
 © COPYRIGHT BY ALL RIGHTS RESERVED.

LOC		DIST		REVISIONS			
P	LTR	DESCRIPTION	DATE	DWN	APVD		
A		REV PER ECO 10-023341	11-16-10	CT	KH		
B		REV PER ECO-11-003534	08JUN2011	RJM3	KH		



1 CONTACT: COPPER ALLOY PER ASTM B196 OR LEADED NICKEL COPPER C97.  
 SLEEVE: STAINLESS STEEL PER AISI 305

2 CONTACT: 1.27µm MIN GOLD PER ASTM B488 OVER 2.54µm  
 MIN NICKEL PER QQ-N-290 ON ENTIRE STOCK.

SLEEVE: PASSIVATED

3 OPTIONAL ALTERNATE MARKING: LETTER "S"

4 GREEN COLOR BAND.

5. APPLICABLE WIRE SIZE: 22-24-26 AWG  
 WIRE INSULATION DIAMETER: 1.4 MAX  
 INSULATION STRIP LENGTH: 3.08-3.58

6. APPLICATION TOOLING:  
 CRIMPING TOOL: TYCO PART NUMBER 601966-1 (M22520/2-01)  
 POSITIONER: TYCO PART NUMBER 601966-8 (M22520/2-23)  
 SELECTOR POSITION: AWG 22: 4  
 AWG 24: 3  
 AWG 26: 3  
 CONTACT INSERTION/EXTRCTION TOOL: 91066-1 (M81969/1-01)

7. THIS PRODUCT IS SOLD BY TYCO ELECTRONICS UNDER A LICENSE FROM RADIAL SA.

1738008-1  
 PART  
 NUMBER

THIS DRAWING IS A CONTROLLED DOCUMENT.		DWN	BH	12AUG2004	TE Connectivity NAME SOCKET CONTACT ASSEMBLY, SIZE 22, GPR					
DIMENSIONS:		CHK	JPM	12AUG2004				SIZE	CAGE CODE	DRAWING NO
mm	TOLERANCES UNLESS OTHERWISE SPECIFIED:	APVD	JPM	12AUG2004				A2	00779	C-1738008
0 PLC ±	1 PLC ±	PRODUCT SPEC		RESTRICTED TO						
2 PLC ±	3 PLC ±	APPLICATION SPEC		SCALE	20:1	SHEET	1 OF 1			
4 PLC ±	ANGLES ±30'	WEIGHT		CUSTOMER DRAWING		REV	B			
MATERIAL	FINISH									