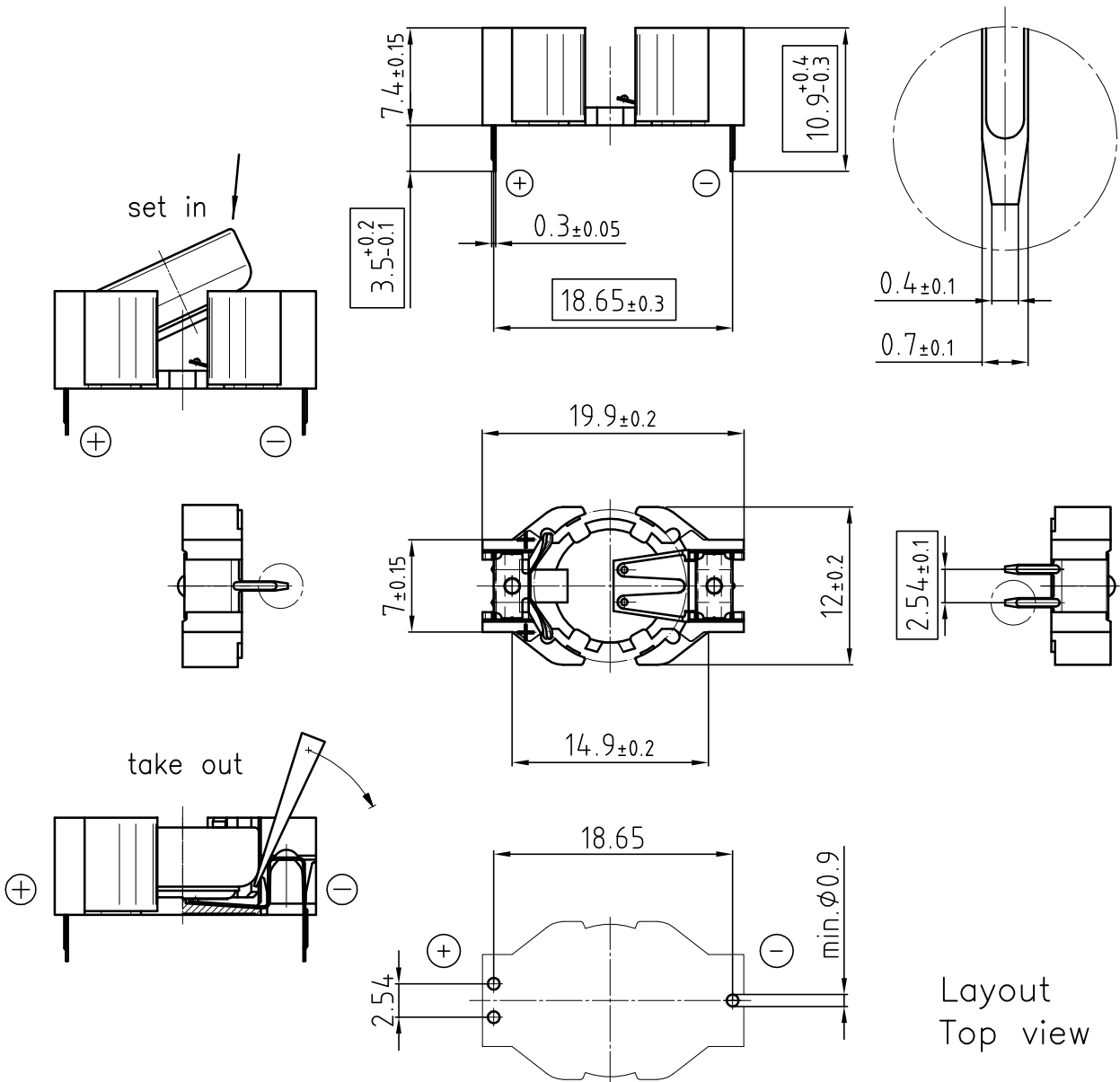


Art.-Number: 701133



Samples can deviate in the execution from the serie.

Dimensions and tolerances can be specified only after the testing of the devices for the mass production definitely

- Holder material : heat resistant, glass-fiber reinforced LCP
- Battery contacts : spring stainless steel 301 nickel plated throughout
- Solder contacts : spring stainless steel 301 solder area tin-plated throughout, min. thickness 5µm

All framed values will be used for dimension checking !

Rev.	①	02.11.07	SRi	Rev.	○			Customer's Approval			
Rev.	②	20.09.10	Wu Ping	Rev.	○			Date			
Rev.	○			Rev.	○			Signature			
Titel:								Scale	Drawn	01.12.05	SRi
HU357-LF									Checked	23.09.10	SRi
									Approved		
				CH-4452 Itingen Switzerland				3.8923.4-2			