

THIS DRAWING IS UNPUBLISHED.

RELEASED FOR PUBLICATION

ALL RIGHTS RESERVED.

© COPYRIGHT - By -

LOC FT DIST 0

REVISIONS

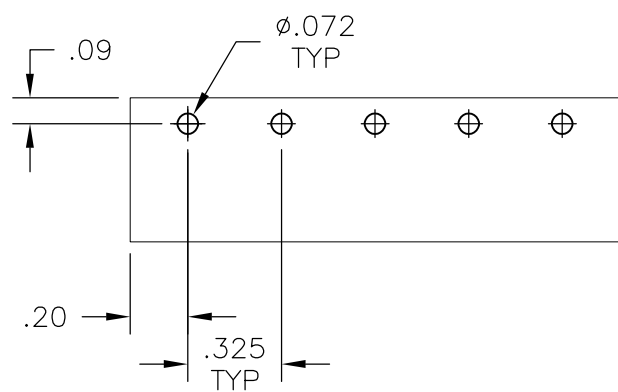
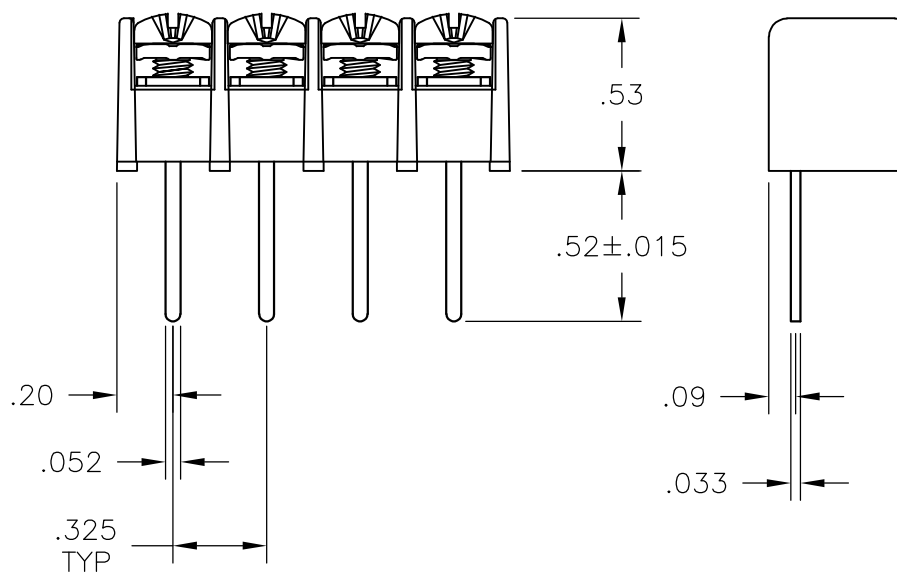
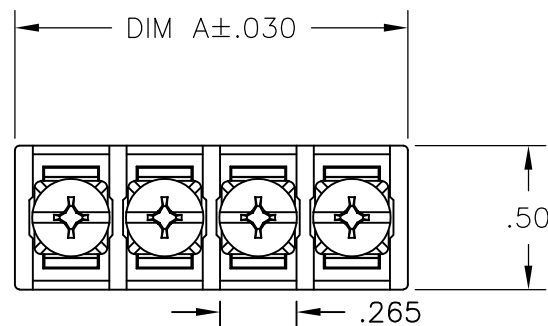
P	LTR	DESCRIPTION	DATE	DWN	APVD
	B1	OBSOLETING PART NUMBERS 15 POSITION AND ABOVE	09APR2015	CR	PS

MATERIAL:
 HOUSING: THERMOPLASTIC PA, UL94V-0, BLACK.
 TERMINAL: BRIGHT TIN PLATED, COPPER ALLOY.
 SCREW: 6-32, STEEL, ZINC PLATED, CLEAR CHROMATE.

ELECTRICAL:
 UL CLASS C: 20A, 150V.
 UL CLASS D: 10A, 300V.
 CSA TYPE B: 20A, 300V.
 CSA TYPE C: 20A, 300V.
 CSA TYPE D: 10A, 300V.
 CSA TYPE E: 20A, 300V.
 WIRE RANGE: 12-22 AWG.

MECHANICAL:
 RECOMMENDED TORQUE RATING: 7 IN-LBS.
 RUNNING TORQUE: 0.5-3.5 IN-LBS UNLESS OTHERWISE STATED.

1 OBSOLETE PARTS.



RECOMMENDED PCB LAYOUT

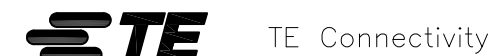
1	9.815	30	4DB-W108-30	3-1546444-0
1	9.490	29	4DB-W108-29	2-1546444-9
1	9.165	28	4DB-W108-28	2-1546444-8
1	8.840	27	4DB-W108-27	2-1546444-7
1	8.515	26	4DB-W108-26	2-1546444-6
1	8.190	25	4DB-W108-25	2-1546444-5
1	7.865	24	4DB-W108-24	2-1546444-4
1	7.540	23	4DB-W108-23	2-1546444-3
1	7.215	22	4DB-W108-22	2-1546444-2
1	6.890	21	4DB-W108-21	2-1546444-1
1	6.565	20	4DB-W108-20	8-1437667-9
1	6.240	19	4DB-W108-19	1-1546444-9
1	5.915	18	4DB-W108-18	8-1437667-8
1	5.590	17	4DB-W108-17	1-1546444-7
1	5.265	16	4DB-W108-16	1-1546444-6
1	4.940	15	4DB-W108-15	1-1546444-5
	4.615	14	4DB-W108-14	1-1546444-4
	4.290	13	4DB-W108-13	1-1546444-3
	3.965	12	4DB-W108-12	8-1437667-7
	3.640	11	4DB-W108-11	1-1546444-1
	3.315	10	4DB-W108-10	1-1546444-0
	2.990	9	4DB-W108-09	1546444-9
	2.665	8	4DB-W108-08	1546444-8
	2.340	7	4DB-W108-07	796658-1
	2.015	6	4DB-W108-06	8-1437667-6
	1.690	5	4DB-W108-05	1546444-5
	1.365	4	4DB-W108-04	1546444-4
	1.040	3	4DB-W108-03	796988-1
	.715	2	4DB-W108-02	1546444-2
DIM A	NO. OF POS.	CATALOG NUMBER	TE PART NO.	

THIS DRAWING IS A CONTROLLED DOCUMENT.

DIMENSIONS: INCHES	TOLERANCES UNLESS OTHERWISE SPECIFIED:
0 PLC	± -
1 PLC	± -
2 PLC	± .01
3 PLC	± .005
4 PLC	± -
ANGLES	± 2'

MATERIAL FINISH

DWN	S SCHLEGEL	5/17/04
CHK	S YODER	5/07/04
APVD	S YODER	5/17/04
PRODUCT SPEC		
APPLICATION SPEC		
WEIGHT	-	



NAME		4DB SERIES W108 STYLE	
SIZE	CAGE CODE	DRAWING NO	RESTRICTED TO
A3	00779	C-8-1437667-6	-
CUSTOMER DRAWING		SCALE	SHEET
		NTS	1 OF 1
		REV	B1