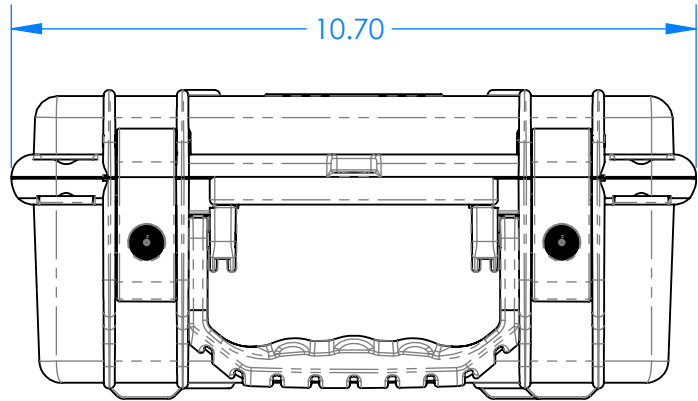
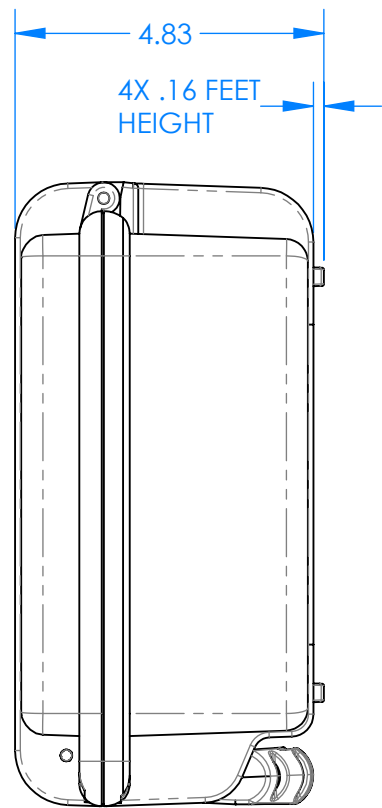
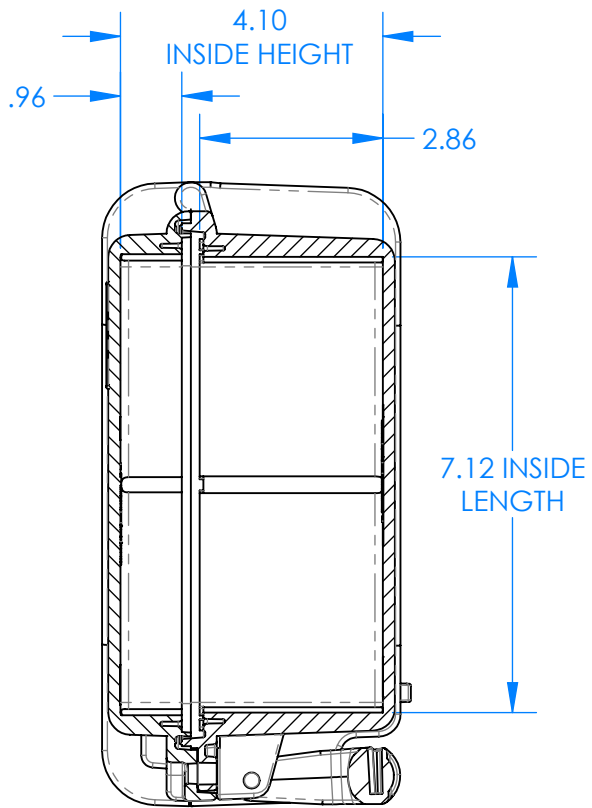
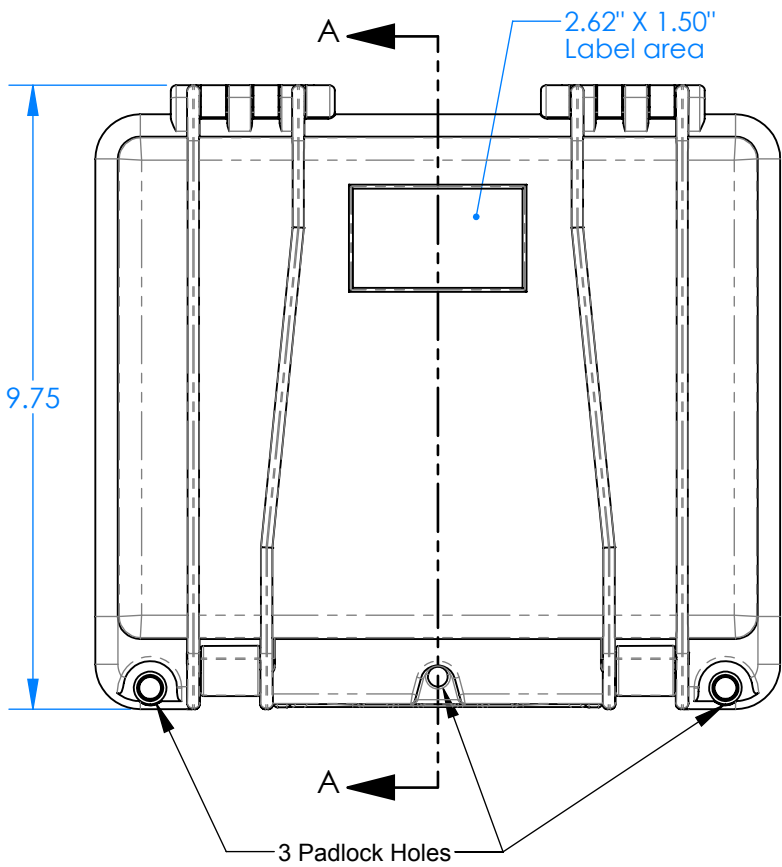
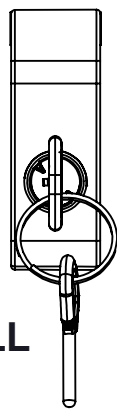


# SERPAC 300

Electronic Enclosures

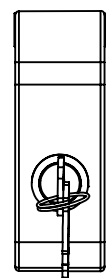


Latch with Plastic Lock



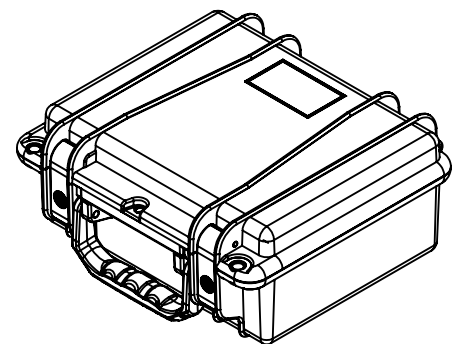
PLL

Latch with Metal Lock



MLL

Optional latches must be specified at time of order. See note 2



**NOTES:**

- 1) Max. usable inside dimensions are: 9.27" X 7.12" X 4.10"
- 2) With Metal Lock Latches p/n 300ML and Plastic Lock Latches p/n 300PL are optional.

