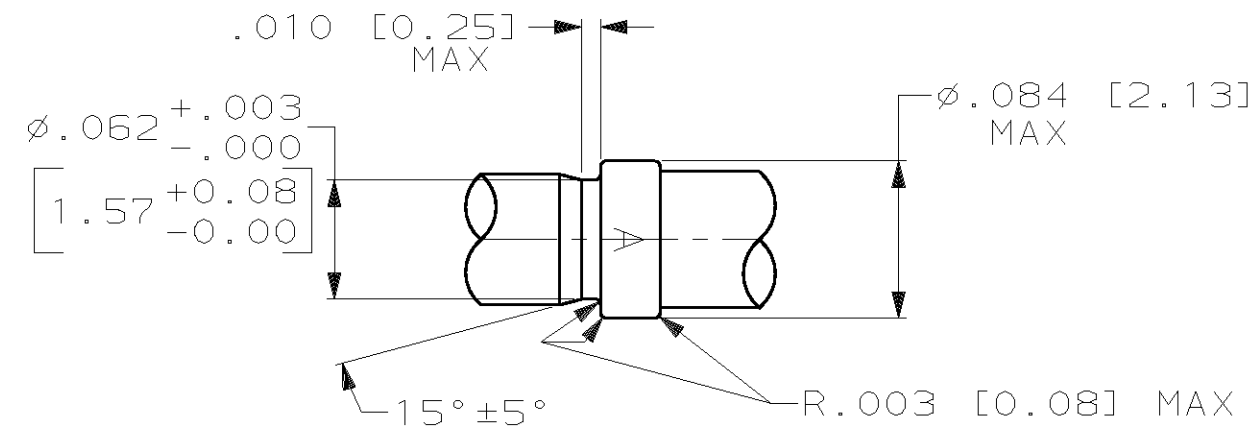
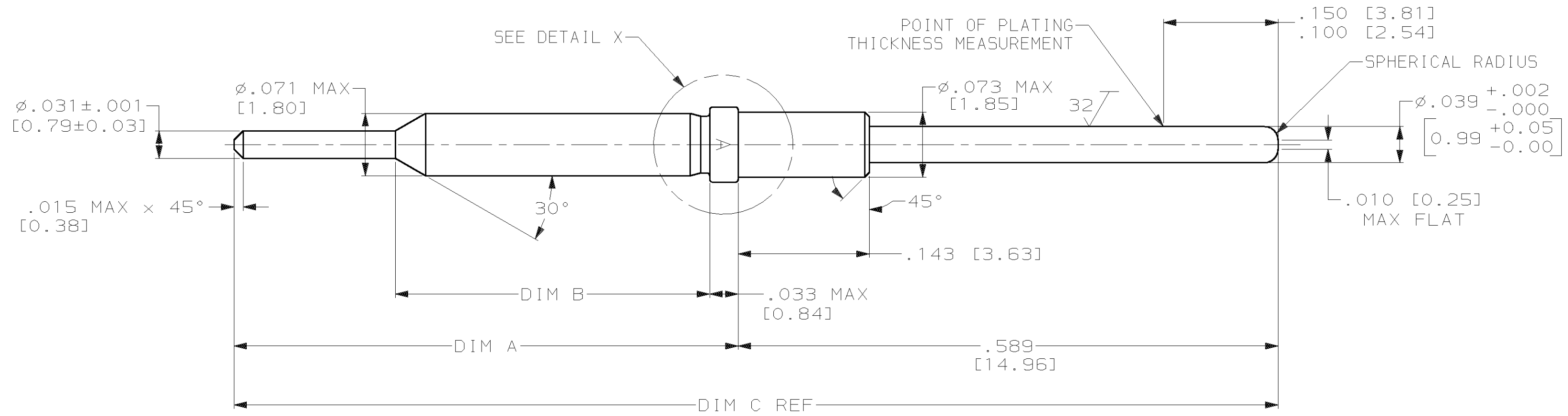


THIS DRAWING IS UNPUBLISHED. RELEASED FOR PUBLICATION
 (C) COPYRIGHT 19 BY AMP INCORPORATED. ALL RIGHTS RESERVED.

LOC		DIST		REVISIONS			
P	LTR	DESCRIPTION		DATE	DWN	APVD	
E		REV & REDRAWN PER OG3D-0336-01		7-01	CT	JM	



DETAIL X
SCALE 10:1



1.164 [29.57]	368 [9.35]	.575 [14.61]	205547-3
1.139 [28.93]	.343 [8.71]	.550 [13.97]	205547-2
DIM C	DIM B	DIM A	PART NUMBER

THIS DRAWING IS A CONTROLLED DOCUMENT.		DWN	C.C. THOMAS	7-23-01	TYCO Electronics Corporation Harrisburg, PA 17105-3608
DIMENSIONS:		CHK	J. MARKEY	7-23-01	
INCHES [mm]		APVD	J. MARKEY	7-23-01	
		PRODUCT SPEC	NAME		
TOLERANCES UNLESS OTHERWISE SPECIFIED: 0 PLC ± 1 PLC ± 2 PLC ± 3 PLC ±.005 [0.13] 4 PLC ± ANGLES ±2°		APPLICATION SPEC	PIN, SIZE 20, ARINC 404 (SPECIAL)		
MATERIAL	LEADED COPPER	FINISH	GOLD PER MIL-G-45204 OVER NICKEL PER QQ-N-290	WEIGHT	-
CUSTOMER DRAWING		SCALE	10:1	SHEET	1 OF 1
		REV	E		