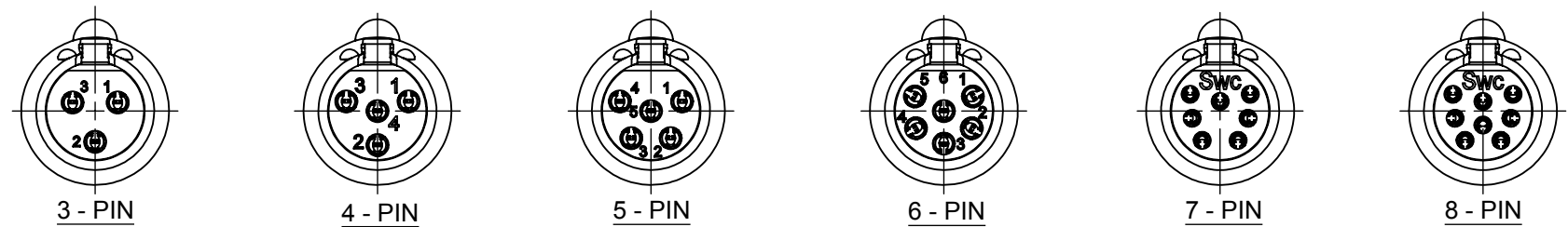
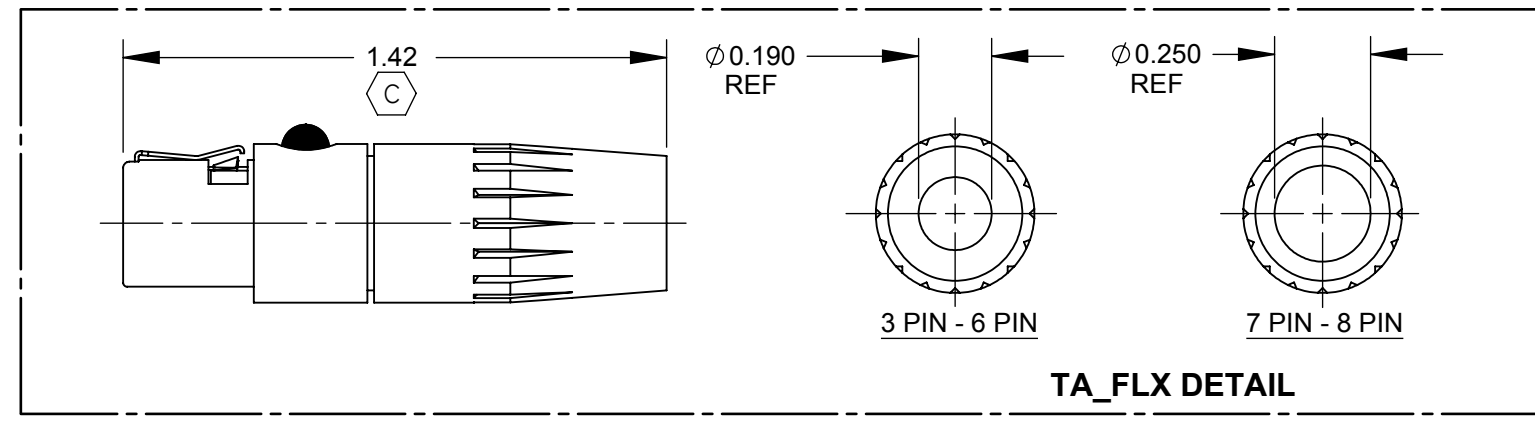
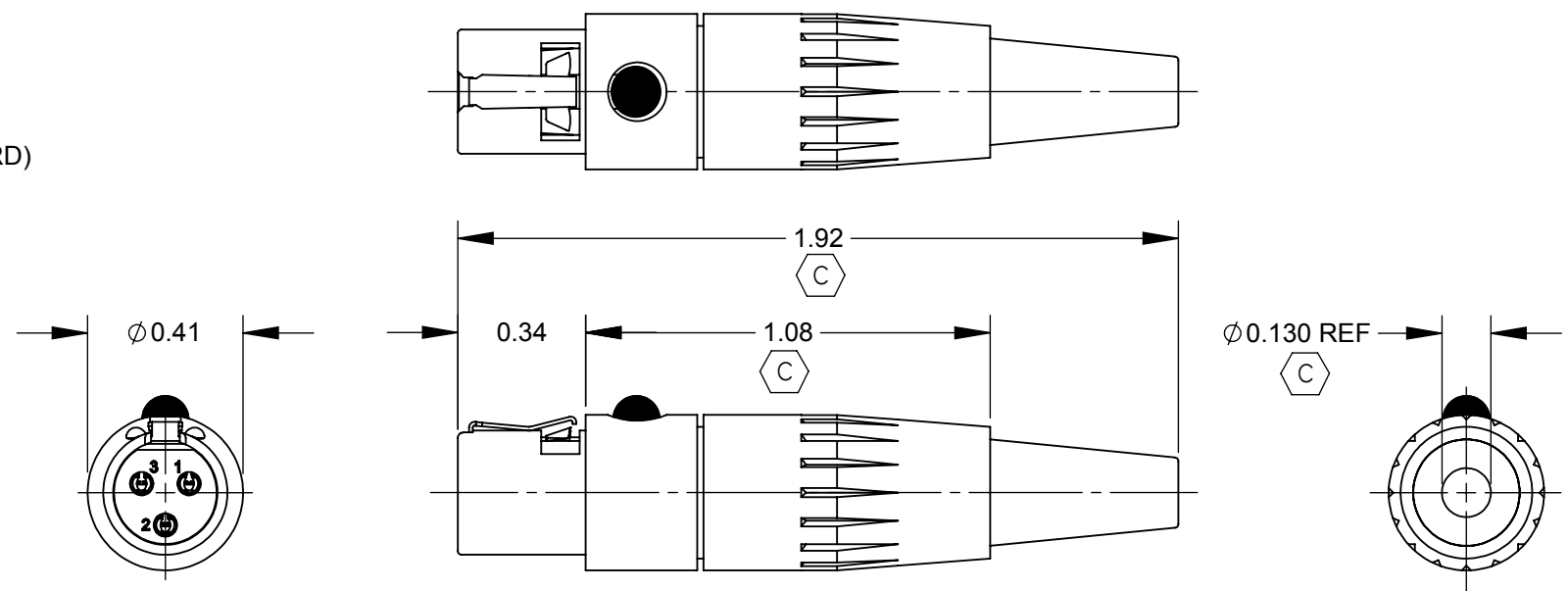


**T A F**

**X**



- RoHS COMPLIANT
- HANDLE FINISH
  - BLANK - BLACK PLASTIC (STANDARD)
  - E - NICKEL PLATED PLASTIC
- CONTACT PLATING
  - BLANK - SILVER (STANDARD)
  - AU - GOLD
- HOUSING FINISH
  - BLANK - NICKEL
  - B - BLACK CHROME
- FLEX RELIEF SIZE (CABLE RANGE)
  - BLANK - STANDARD SIZE ( $\phi 0.065 - \phi 0.155$ )
  - L - NONE, PLASTIC HANDLE ONLY (SEE "TA\_FLX" DETAIL)
  - 3 PIN - 6 PIN HANDLE ( $\phi 0.115 - \phi 0.190$ )
  - 7 PIN - 8 PIN HANDLE ( $\phi 0.115 - \phi 0.250$ )
- NUMBER OF CONTACTS
  - 3 - 3 CONTACTS
  - 4 - 4 CONTACTS
  - 5 - 5 CONTACTS
  - 6 - 6 CONTACTS
  - 7 - 7 CONTACTS
  - 8 - 8 CONTACTS



**CUSTOMER DRAWING**

**NOTES:**

- MATERIALS:**  
 HOUSING - COPPER ALLOY, NICKEL PLATED OR BLACK CHROME PLATED  
 CONTACTS - COPPER ALLOY, SILVER PLATED OR GOLD PLATED  
 HANDLE - THERMOPLASTIC, BLACK OR NICKEL PLATED  
 FLEX RELIEF - PVC, BLACK  
 CABLE CLAMP - STEEL, ELECTRO-TIN PLATED  
 CONTACT INSULATORS - THERMOPLASTIC, BROWN
- THIS PRODUCT IS RoHS COMPLIANT.

REV	ECO NUMBER	DATE	BY	APVD
C	25955	09-22-08	JEB	TJK
B	25388	07-22-06	JEB	TJK
A	25229	12-21-05	AH	TJK
REVISIONS				

UNLESS OTHERWISE SPECIFIED

1. ALL DIMENSIONS IN INCHES

- TWO PLACE DECIMALS  $\pm 0.02$

- THREE PLACE DECIMALS  $\pm 0.005$

**DO NOT SCALE DRAWING**

THIS DRAWING DESCRIBES A DESIGN CONSIDERED PROPRIETARY IN NATURE, DEVELOPED AND MANUFACTURED BY SWITCHCRAFT INC. AND IS RELEASED ON A CONFIDENTIAL BASIS FOR IDENTIFICATION PURPOSES ONLY.									
SIZE	WIDTH	MULT	LBS/M	TEMPER					
FINISH					MATERIAL				
SPEC No.					SPEC No.				
FIRST USED ON				SCALE					
				2:1					
DATE DRAWN	BY	CHKD	APVD						
11-02-10	JEB	JEB	TJK						
			11-02-10	03-08-11					
NAME								PART No.	
TINI QG FEMALE								TA_FLX SERIES	
STRAIGHT CORD PLUG, RoHS								REV	
								C	