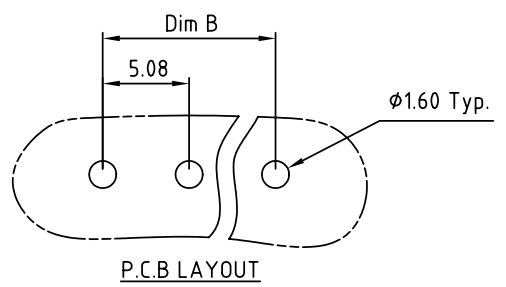
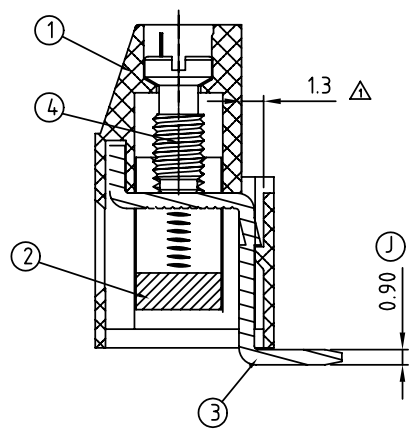
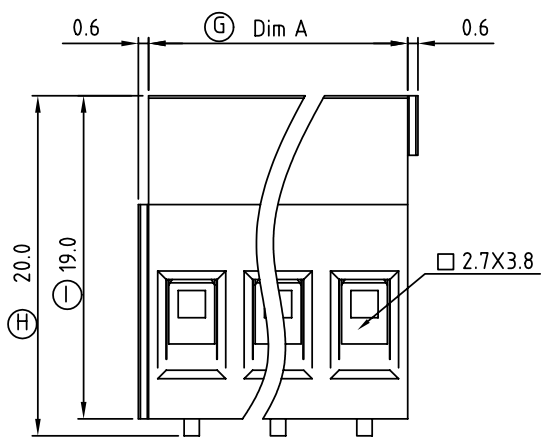


**DIMENSION**

Dim A	NX5.08
Dim B	(N-1)X5.08

Poles	Tolerance
2p-6p	±0.15
7p-12p	±0.25
13p-18p	±0.35
19p-24p	±0.40



SIGN	DATE	DESCRIPTION	APPROVER
△	3/22'06	Hole size changed from 0.5mm to 1.3mm	Tony
△	01/12 07	Soldering temperature changed from 245° to 250°	Tason
△	01/12 07	Part NO is Changed	Tason
△	6/04'08	Operating temperature is Changed	Marvin
△	6/04'08	Body type is Changed	Marvin
△	11/09'10	Add is " VDE "	Aaron

*THIS IS CAD DRAWING, DO NOT REVISE MANUALLY!!!*

**Material:**

- Item 1 Terminal housing:Thermoplastic (UL 94V-0)
- Item 2 Clamp: Brass Ni plated
- Item 3 Wire guard solder pin: Copper, Tin plated
- Item 4 Terminal screw: Steel Zinc plating"- "slot type

- △ Electrical cULus / VDE
- Voltage rating : 300VAC / 450V
  - Current rating : 20A / 24A
  - Wire range : 0.2-2.5mm<sup>2</sup>
  - Solid wire(AWG) : 12-30
  - Stranded wire(AWG) : 12-30
  - Torque : 3.5 Lb-In / 0.5 N.m
  - Screw: M3
  - Wire strip length: 6-7mm
  - Withstanding Voltage: 1.6KV / 2.5KV
  - △ ● Operating temperature: -40°C to +115°C
  - △ ● Soldering temperature: 250°C±10°C/5 Sec
  - Safety Approval:

VJ xx 21 x 0 xxxx G

			RoHS Pb<40,000ppm
No. of poles end	0 Black (RAL9005)	0000:"@ "Logo (Standard)	
stackable design	2 Red (RAL3001/D)	000A:"ANYTEK"Logo	
02 2 CONTACTS	3 Orange(RAL2011/P)	Any special item by	
03 3 CONTACTS	4 Yellow(RAL1018/A)	customer request,	
...	5 Green(RAL6018/T)	please contact sales	
24 24 CONTACTS	6 Blue (RAL5015/A)	department.	
	8 Grey(RAL7035/D)		

<b>ANYTEK</b>				<b>CUSTOMER COPY</b>			
ALL RIGHTS RESERVED. REPRODUCTION OR ISSUE TO THIRD PARTIES IN ANY FORM WHATSOEVER IS NOT PERMITTED WITHOUT WRITTEN AUTHORITY FROM THE PROPRIETOR. PROPERTY OF ANYTEK TECHNOLOGY CO., LTD							
TITLE		VJ-5.08 Series 2P-24P Vertical ( 90D wire inlet )					
PART NO.		VJxx21x0xxxxG			DWG NO.		8VJ0102
APPROVED	CHECKED	DESIGNED	DRAWN	CUST NO.		Tolerance	
		Aaron 2010.11.09	Marvin 2008.06.04			UNIT: mm	X. ±0.50
						SCALE: NONE	X.X ±0.30
				SHEET: 01/01		REV.: G	X.XX ±0.10
							X° ±1°