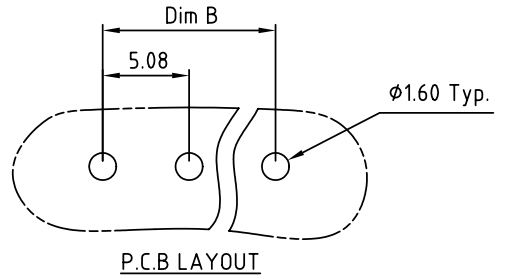
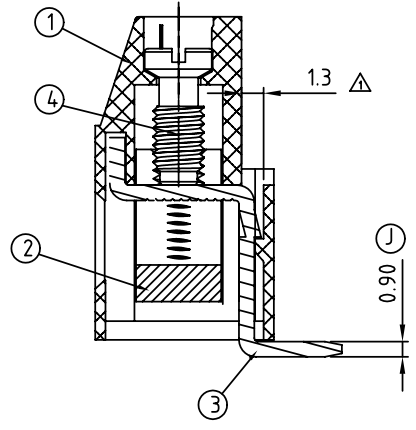
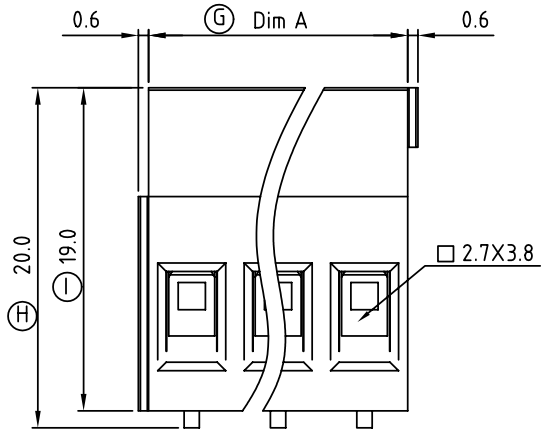


DIMENSION

Dim A	NX5.08
Dim B	(N-1)X5.08

Poles	Tolerance
2p-6p	±0.15
7p-12p	±0.25
13p-18p	±0.35
19p-24p	±0.40



SIGN	DATE	DESCRIPTION	APPROVER
△	3/22'06	Hole size changed from 0.5mm to 1.3mm	Tony
△	01/12'07	Soldering temperature changed from 245° to 250°	Tason
△	01/12'07	Part NO is Changed	Tason
△	6/04'08	Operating temperature is Changed	Marvin
△	6/04'08	Body type is Changed	Marvin
△	11/09'10	Add is " VDE "	Aaron

THIS IS CAD DRAWING, DO NOT REVISE MANUALLY!!!

Material:

- Item 1 Terminal housing:Thermoplastic (UL 94V-0)
- Item 2 Clamp: Brass Ni plated
- Item 3 Wire guard solder pin: Copper, Tin plated
- Item 4 Terminal screw: Steel Zinc plating"- "slot type

- △ Electrical cULus / VDE
- Voltage rating : 300VAC / 450V
- Current rating : 20A / 24A
- Wire range : 0.2-2.5mm²
- Solid wire(AWG) : 12-30
- Stranded wire(AWG) : 12-30
- Torque : 3.5 Lb-In / 0.5 N.m
- Screw: M3
- Wire strip length: 6-7mm
- Withstanding Voltage: 1.6KV / 2.5KV
- △ ● Operating temperature: -40°C to +115°C
- △ ● Soldering temperature: 250°C±10°C/5 Sec
- Safety Approval:

VJ xx 21 x 0 xxxx G

			RoHS Pb<40,000ppm
No. of poles end stackable design	0 Black (RAL9005)	0000:"@ "Logo (Standard)	
02 2 CONTACTS	2 Red (RAL3001/D)	000A:"ANYTEK"Logo	
03 3 CONTACTS	3 Orange(RAL2011/P)	Any special item by customer request,	
...	4 Yellow(RAL1018/A)	please contact sales department.	
24 24 CONTACTS	5 Green(RAL6018/T)		
	6 Blue (RAL5015/A)		
	8 Grey(RAL7035/D)		

<h1>ANYTEK</h1>		<h2>CUSTOMER COPY</h2>	
ALL RIGHTS RESERVED. REPRODUCTION OR ISSUE TO THIRD PARTIES IN ANY FORM WHATSOEVER IS NOT PERMITTED WITHOUT WRITTEN AUTHORITY FROM THE PROPRIETOR. PROPERTY OF ANYTEK TECHNOLOGY CO., LTD			
TITLE	VJ-5.08 Series 2P-24P Vertical (90D wire inlet)		
PART NO.	VJxx21x0xxxxG	DWG NO.	8VJ0102
APPROVED	CHECKED	DESIGNED	DRAWN
		Aaron 2010.11.09	Marvin 2008.06.04
		SHEET: 01/01	
		UNIT: mm SCALE: NONE REV.: G	
		Tolerance X. ±0.50 X.X ±0.30 X.XX ±0.10 X° ±1°	