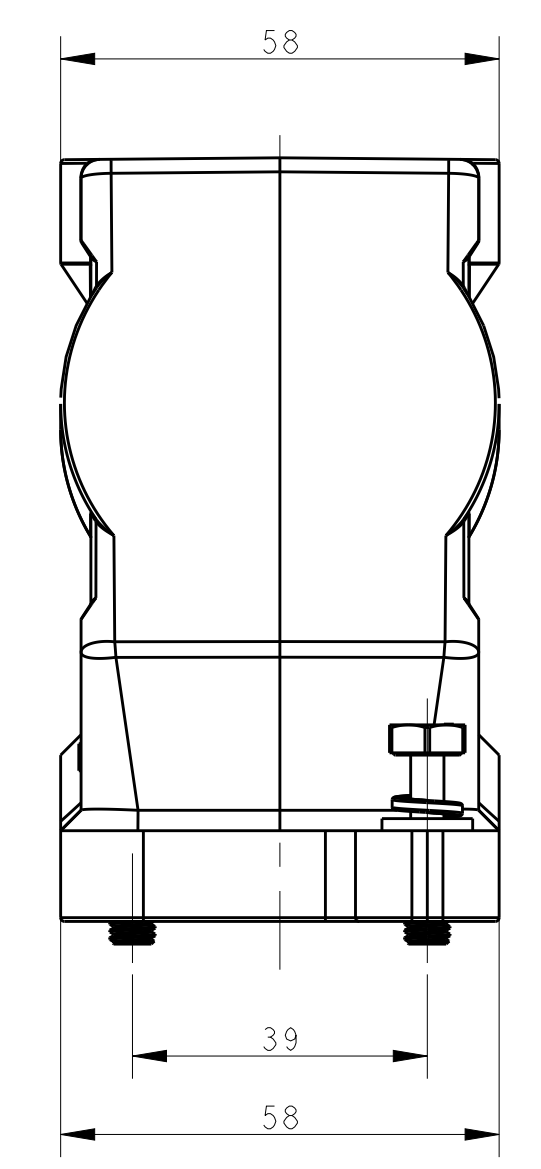
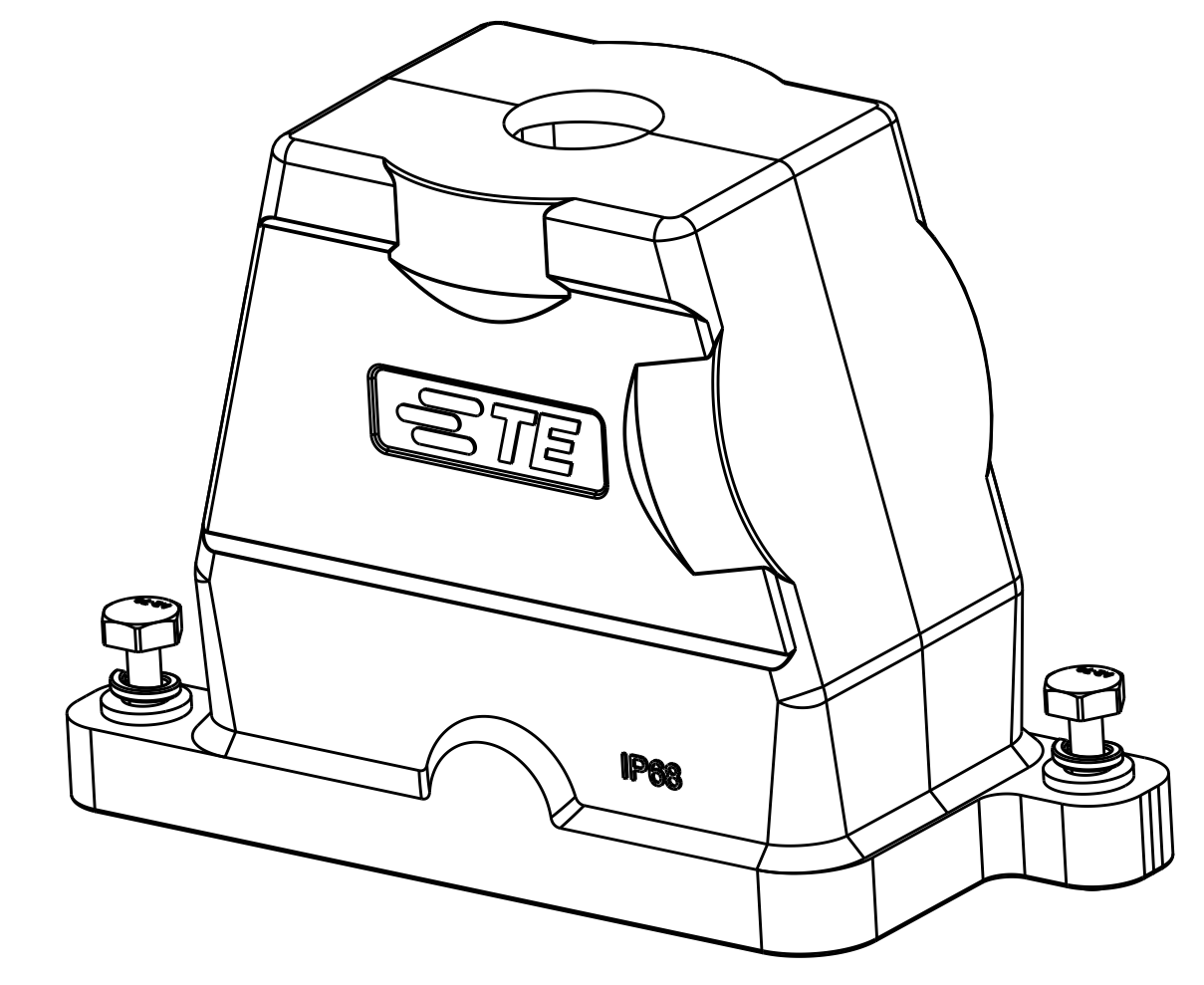
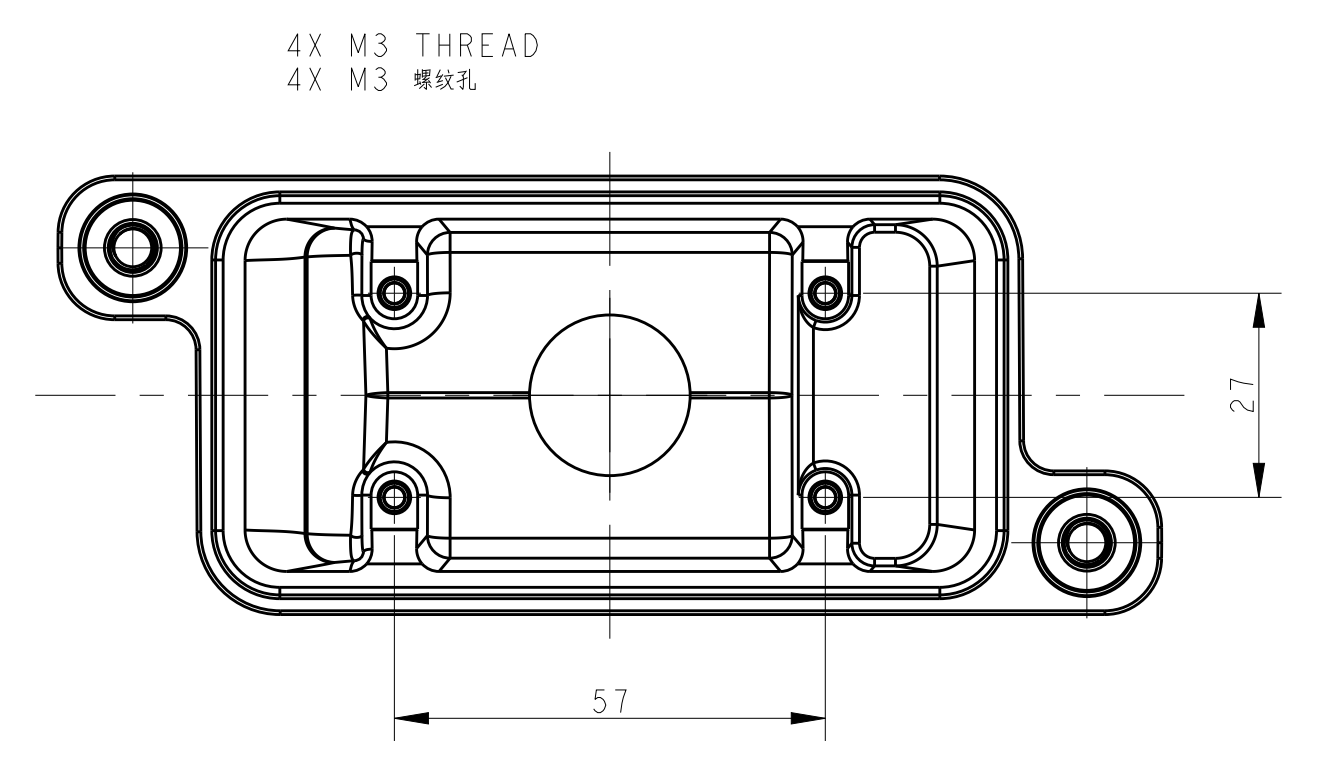
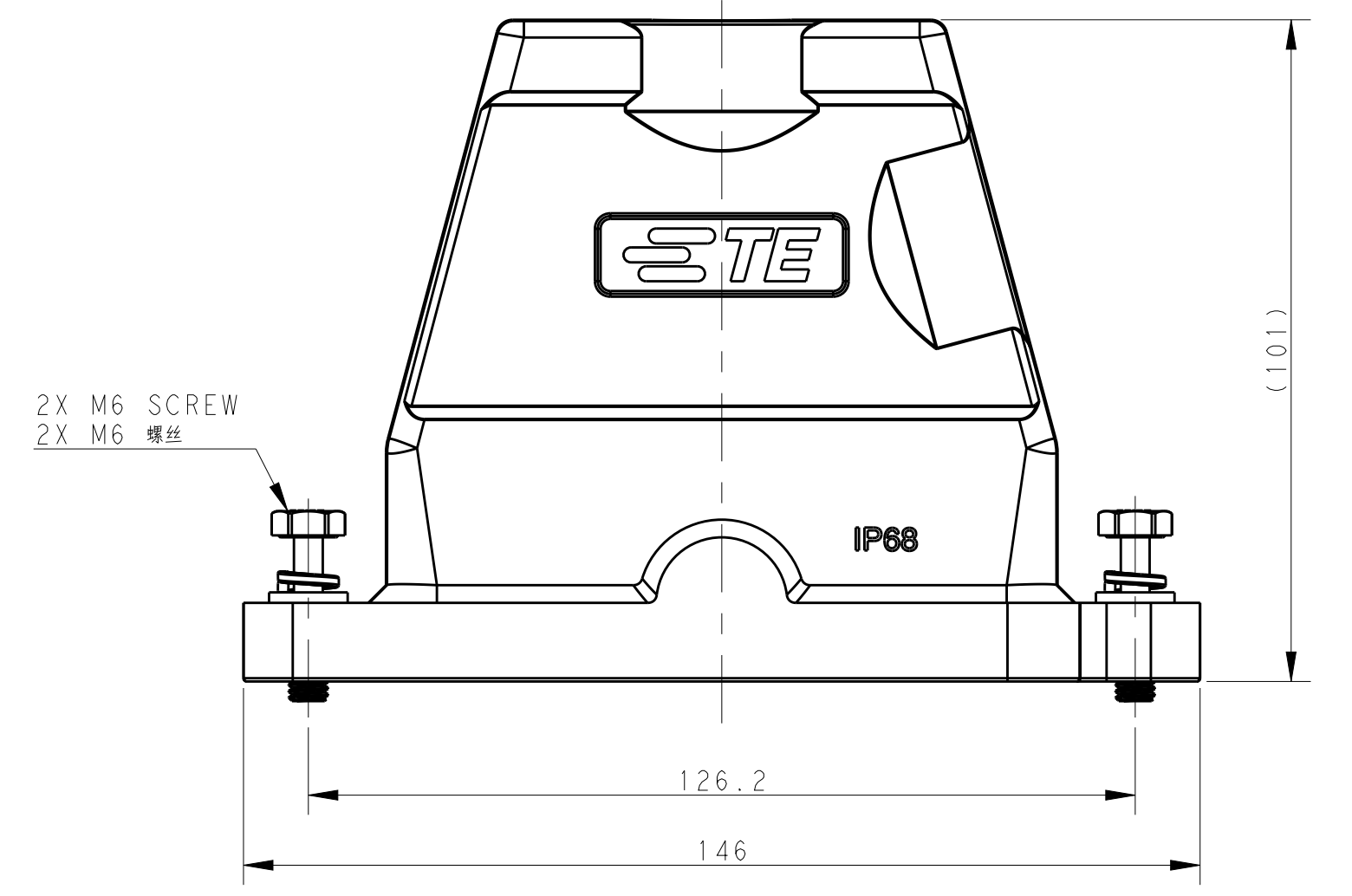
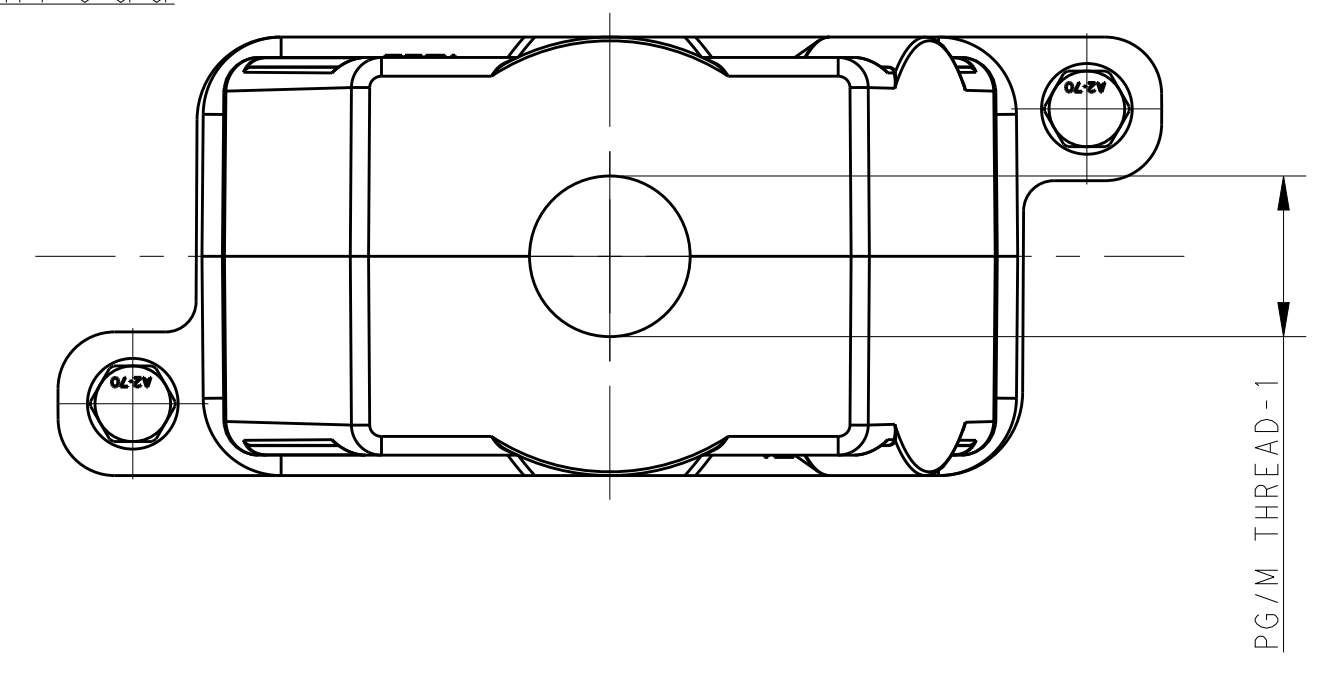


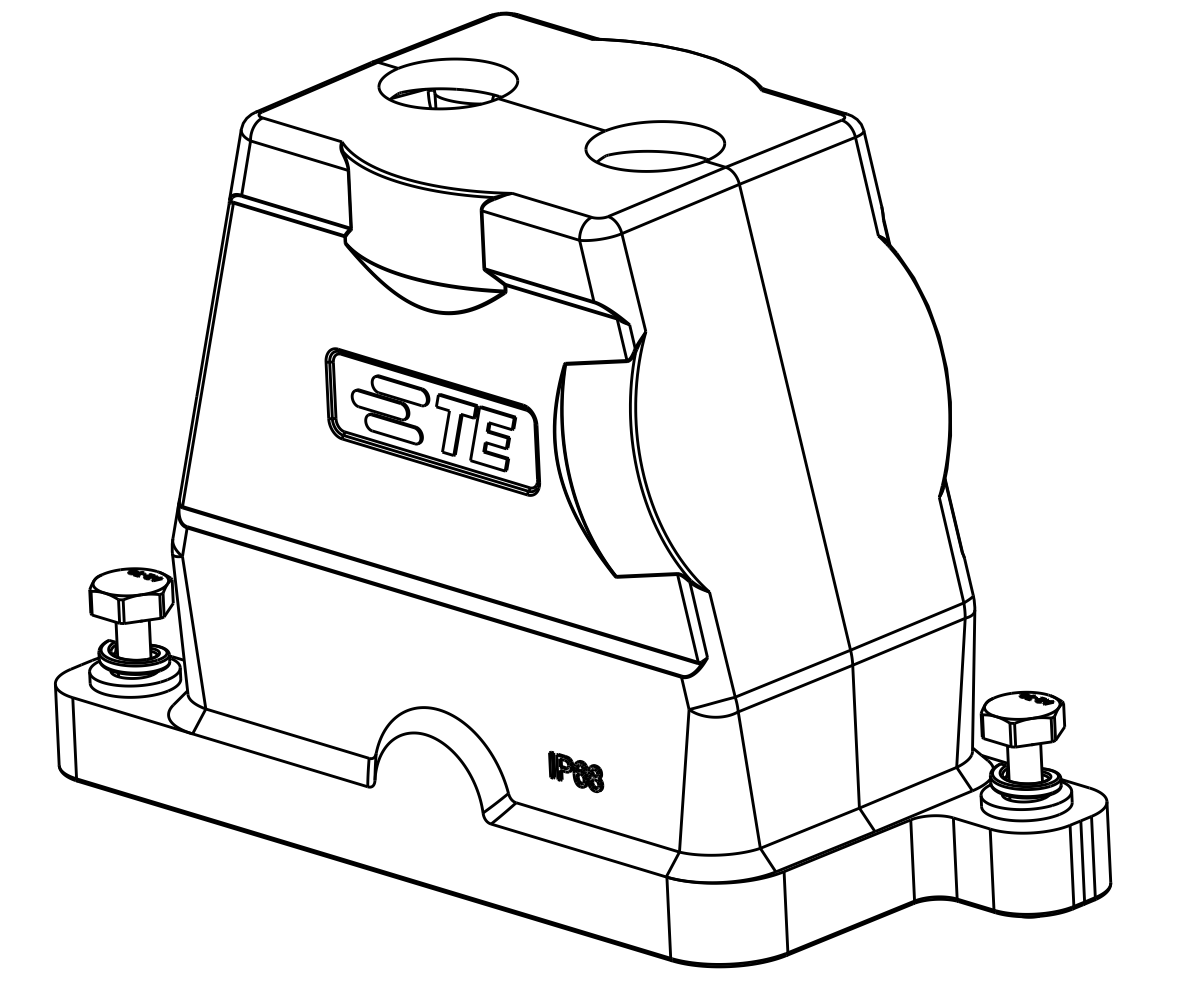
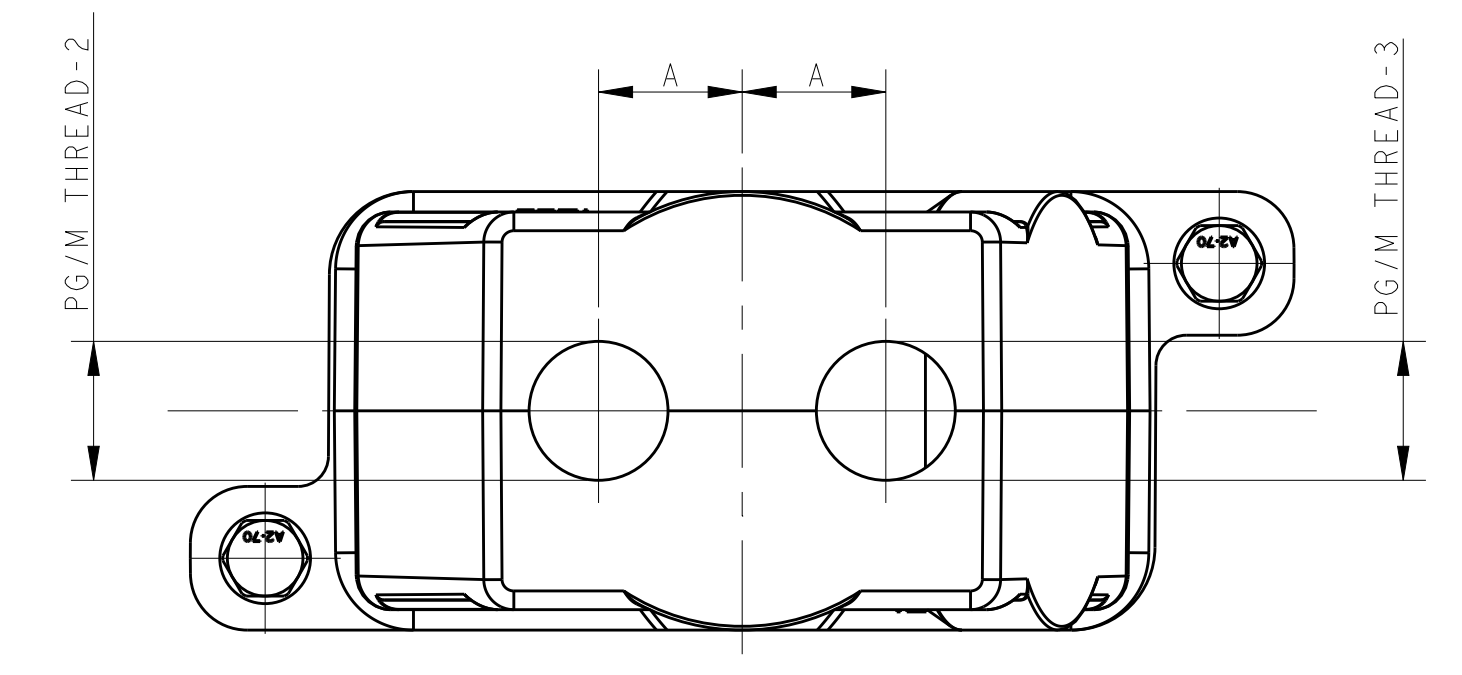
TYPE 1 : 类型 1

Single PG/M thread
 单个螺纹孔



TYPE 2 : 类型 2

Two PG/M threads
 双螺纹孔



All dimension is same as TYPE 1, except those defined in this TYPE
 除了此类型中定义的尺寸外, 其余尺寸参考类型 1

REVISIONS				
P.	LTN.	DESCRIPTION	DATE	APPV.
A		INITIAL RELEASE	20SEP2016	DW CW
A1		ECR-18-017251	08NOV2016	CD CW

NOTES:
 1. TECHNICAL CHARACTERISTICS:
 HOOD MATERIAL: DIE CAST ALUMINIUM ALLOY
 SURFACE: SEE TABLE
 DEGREE OF PROTECTION: IP68 (MATED)


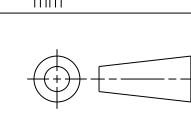
注释
 1. 技术参数:
 壳体材料: 铝合金
 表面处理: 见表格
 防护等级: IP68 (配合)

THIS DRAWING IS A CONTROLLED DOCUMENT.		DWN: DAVID WANG 20SEP2016	TE Connectivity	
		CHK: CHRIS WANG 20SEP2016		
DIMENSIONS:		APVD: XIANG XU 20SEP2016		NAME: H10BPR-TGH-PG/M-EMC-C
mm	TOLERANCES UNLESS OTHERWISE SPECIFIED:	PRODUCT SPEC		SIZE: A1
	0 PLC ±	108-137191		CAGE CODE: -
	2 PLC ±	APPLICATION SPEC		DRAWING NO: C-T192010XXXXX09
	3 PLC ±	114-137191		RESTRICTED TO: -
	4 PLC ±	WEIGHT: -		SCALE: 1:1
	ANGLES ±	Customer Drawing		SHEET 1 OF 2
MATERIAL: -	FINISH: -			REV: A1

REVISIONS				
P.	LTN	DESCRIPTION	DATE	APPD
-	-	SEE SHEET 1	-	-

NOTES:
 SEE SHEET 1
 备注:
 见 SHEET 1

PART NUMBER 料号		PART DESCRIPTION 描述	PG/M THREAD-3 PG/M 螺纹-3	PG/M THREAD-2 PG/M 螺纹-2	PG/M THREAD-1 PG/M 螺纹-1	DIM A 尺寸 A	TYPE 类型
T1920102220-009	H10BPR-TGH-2M20-EMC-C	H10BPR HOOD, DIAGONAL LOCKING, TOP ENTRY 2M20, POWDER COATED,GREY H10BPR对角锁定顶出上壳2M20 灰色	M20	M20	-	17	TYPE 2 类型2
T1920100225-009	H10BPR-TGH-2M25-EMC-C	H10BPR HOOD, DIAGONAL LOCKING, TOP ENTRY 2M25, POWDER COATED,BLACK H10BPR对角锁定顶出上壳2M25 黑色	M25	M25	-	19	
T1920100220-009	H10BPR-TGH-2M20-EMC-C	H10BPR HOOD, DIAGONAL LOCKING, TOP ENTRY 2M20, POWDER COATED,BLACK H10BPR对角锁定顶出上壳2M20 黑色	M20	M20	-	17	TYPE 1 类型1
T1920102140-009	H10BPR-TGH-M40-EMC-C	H10BPR HOOD, DIAGONAL LOCKING, TOP ENTRY M40, POWDER COATED,GREY H10BPR对角锁定顶出上壳M40 灰色	-	-	M40	-	
T1920102132-009	H10BPR-TGH-M32-EMC-C	H10BPR HOOD, DIAGONAL LOCKING, TOP ENTRY M32, POWDER COATED,GREY H10BPR对角锁定顶出上壳M32 灰色	-	-	M32	-	
T1920102129-009	H10BPR-TGH-PG29-EMC-C	H10BPR HOOD, DIAGONAL LOCKING, TOP ENTRY PG29, POWDER COATED,GREY H10BPR对角锁定顶出上壳PG29 灰色	-	-	PG29	-	
T1920102125-009	H10BPR-TGH-M25-EMC-C	H10BPR HOOD, DIAGONAL LOCKING, TOP ENTRY M25, POWDER COATED,GREY H10BPR对角锁定顶出上壳M25 灰色	-	-	M25	-	
T1920102121-009	H10BPR-TGH-PG21-EMC-C	H10BPR HOOD, DIAGONAL LOCKING, TOP ENTRY PG21, POWDER COATED,GREY H10BPR对角锁定顶出上壳PG21 灰色	-	-	PG21	-	
T1920102120-009	H10BPR-TGH-M20-EMC-C	H10BPR HOOD, DIAGONAL LOCKING, TOP ENTRY M20, POWDER COATED,GREY H10BPR对角锁定顶出上壳M20 灰色	-	-	M20	-	
T1920102116-009	H10BPR-TGH-PG16-EMC-C	H10BPR HOOD, DIAGONAL LOCKING, TOP ENTRY PG16, POWDER COATED,GREY H10BPR对角锁定顶出上壳PG16 灰色	-	-	PG16	-	
T1920101140-009	H10BPR-TGH-M40-EMC-C	H10BPR HOOD, DIAGONAL LOCKING, TOP ENTRY M40, POWDER COATED,SILVER WHITE H10BPR对角锁定顶出上壳M40 银白色	-	-	M40	-	
T1920101132-009	H10BPR-TGH-M32-EMC-C	H10BPR HOOD, DIAGONAL LOCKING, TOP ENTRY M32, POWDER COATED,SILVER WHITE H10BPR对角锁定顶出上壳M32 银白色	-	-	M32	-	
T1920101129-009	H10BPR-TGH-PG29-EMC-C	H10BPR HOOD, DIAGONAL LOCKING, TOP ENTRY PG29, POWDER COATED,SILVER WHITE H10BPR对角锁定顶出上壳PG29 银白色	-	-	PG29	-	
T1920101125-009	H10BPR-TGH-M25-EMC-C	H10BPR HOOD, DIAGONAL LOCKING, TOP ENTRY M25, POWDER COATED,SILVER WHITE H10BPR对角锁定顶出上壳M25 银白色	-	-	M25	-	
T1920101121-009	H10BPR-TGH-PG21-EMC-C	H10BPR HOOD, DIAGONAL LOCKING, TOP ENTRY PG21, POWDER COATED,SILVER WHITE H10BPR对角锁定顶出上壳PG21 银白色	-	-	PG21	-	
T1920101120-009	H10BPR-TGH-M20-EMC-C	H10BPR HOOD, DIAGONAL LOCKING, TOP ENTRY M20, POWDER COATED,SILVER WHITE H10BPR对角锁定顶出上壳M20 银白色	-	-	M20	-	
T1920101116-009	H10BPR-TGH-PG16-EMC-C	H10BPR HOOD, DIAGONAL LOCKING, TOP ENTRY PG16, POWDER COATED,SILVER WHITE H10BPR对角锁定顶出上壳PG16 银白色	-	-	PG16	-	
T1920100140-009	H10BPR-TGH-M40-EMC-C	H10BPR HOOD, DIAGONAL LOCKING, TOP ENTRY M40, POWDER COATED,BLACK H10BPR对角锁定顶出上壳M40 黑色	-	-	M40	-	
T1920100132-009	H10BPR-TGH-M32-EMC-C	H10BPR HOOD, DIAGONAL LOCKING, TOP ENTRY M32, POWDER COATED,BLACK H10BPR对角锁定顶出上壳M32 黑色	-	-	M32	-	
T1920100129-009	H10BPR-TGH-PG29-EMC-C	H10BPR HOOD, DIAGONAL LOCKING, TOP ENTRY PG29, POWDER COATED,BLACK H10BPR对角锁定顶出上壳PG29 黑色	-	-	PG29	-	
T1920100125-009	H10BPR-TGH-M25-EMC-C	H10BPR HOOD, DIAGONAL LOCKING, TOP ENTRY M25, POWDER COATED,BLACK H10BPR对角锁定顶出上壳M25 黑色	-	-	M25	-	
T1920100121-009	H10BPR-TGH-PG21-EMC-C	H10BPR HOOD, DIAGONAL LOCKING, TOP ENTRY PG21, POWDER COATED,BLACK H10BPR对角锁定顶出上壳PG21 黑色	-	-	PG21	-	
T1920100120-009	H10BPR-TGH-M20-EMC-C	H10BPR HOOD, DIAGONAL LOCKING, TOP ENTRY M20, POWDER COATED,BLACK H10BPR对角锁定顶出上壳M20 黑色	-	-	M20	-	
T1920100116-009	H10BPR-TGH-PG16-EMC-C	H10BPR HOOD, DIAGONAL LOCKING, TOP ENTRY PG16, POWDER COATED,BLACK H10BPR对角锁定顶出上壳PG16 黑色	-	-	PG16	-	

THIS DRAWING IS A CONTROLLED DOCUMENT.		OWN: DAVID WANG Z0SEP2016 CHK: CHRIS WANG Z0SEP2016 APPD: XIANG YU Z0SEP2016	
DIMENSIONS: mm		NAME: H10BPR-TGH-PG/M-EMC-C	
		PRODUCT SPEC: 108-137191 APPLICATION SPEC: 114-137191	RESTRICTED TO
MATERIAL: -		WEIGHT: -	SCALE: 1:1
FINISH: -		Customer Drawing	SHEET 2 OF 2