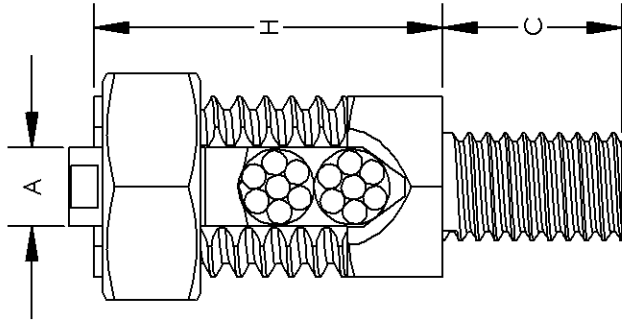


THIS COPY IS PROVIDED ON A RESTRICTED BASIS AND IS NOT TO BE USED IN ANY WAY DETRIMENTAL TO THE INTERESTS OF PANDUIT CORP.



467 LISTED
SUITABLE FOR
DIRECT BURIAL



| CATALOG NUMBER | A CONDUCTOR RANGE | WIRE DIAMETER RANGE | | STUD SIZE | HEX NUT | | C | | H | | BODY HEX | |
|----------------|----------------------|---------------------|----|-----------|---------|----|------|----|------|----|----------|----|
| | | IN | MM | | IN | MM | IN | MM | IN | MM | IN | MM |
| SP2-8-C | 12 SOL. - 8 STR. | .081 - .146 | 13 | 1/4-20 | 0.50 | 13 | 0.50 | 13 | 0.75 | 19 | 0.38 | 9 |
| SP2-8L-C | 12 SOL. - 8 STR. | .081 - .146 | 13 | 1/4-20 | 0.50 | 13 | 1.00 | 25 | 0.75 | 19 | 0.38 | 9 |
| SP2-7-C | 10 SOL. - 7 STR. | .102 - .164 | 17 | 1/4-20 | 0.69 | 17 | 0.50 | 13 | 1.00 | 25 | 0.50 | 13 |
| SP2-7L-C | 10 SOL. - 7 STR. | .102 - .164 | 17 | 1/4-20 | 0.69 | 17 | 1.00 | 25 | 1.00 | 25 | 0.50 | 13 |
| SP2-4-C | 10 SOL. - 4 STR. | .102 - .232 | 19 | 5/16-18 | 0.75 | 19 | 0.56 | 14 | 1.16 | 29 | 0.56 | 14 |
| SP2-4L-C | 10 SOL. - 4 STR. | .102 - .232 | 19 | 5/16-18 | 0.75 | 19 | 1.00 | 25 | 1.16 | 29 | 0.56 | 14 |
| SP2-3-C | 10 SOL. - 3 STR. | .102 - .260 | 21 | 3/8-16 | 0.81 | 21 | 0.63 | 16 | 1.09 | 28 | 0.63 | 16 |
| SP2-3L-C | 10 SOL. - 3 STR. | .102 - .260 | 21 | 3/8-16 | 0.81 | 21 | 1.13 | 29 | 1.09 | 28 | 0.63 | 16 |
| SP2-2-C | 10 SOL. - 2 STR. | .102 - .292 | 22 | 3/8-16 | 0.88 | 22 | 0.63 | 16 | 1.38 | 35 | 0.69 | 17 |
| SP2-2L-C | 10 SOL. - 2 STR. | .102 - .292 | 22 | 3/8-16 | 0.88 | 22 | 1.13 | 29 | 1.28 | 33 | 0.69 | 17 |
| SP2-1/0-L | 2 SOL. - 1/0 STR. | .258 - .375 | 25 | 1/2-13 | 1.00 | 25 | 0.75 | 19 | 1.69 | 43 | 0.75 | 19 |
| SP2-1/0L-L | 2 SOL. - 1/0 STR. | .258 - .375 | 25 | 1/2-13 | 1.00 | 25 | 1.25 | 32 | 1.69 | 43 | 0.75 | 19 |
| SP2-2/0-Q | 2 SOL. - 2/0 STR. | .258 - .419 | 29 | 1/2-13 | 1.13 | 29 | 0.75 | 19 | 1.88 | 48 | 0.88 | 22 |
| SP2-2/0L-Q | 2 SOL. - 2/0 STR. | .258 - .419 | 29 | 1/2-13 | 1.13 | 29 | 1.25 | 32 | 1.88 | 48 | 0.88 | 22 |
| SP2-4/0-Q | 1 SOL. - 4/0 STR. | .289 - .528 | 35 | 5/8-11 | 1.38 | 35 | 1.00 | 25 | 2.25 | 57 | 1.13 | 29 |
| SP2-4/0L-Q | 1 SOL. - 4/0 STR. | .289 - .528 | 35 | 5/8-11 | 1.38 | 35 | 1.50 | 38 | 2.25 | 57 | 1.13 | 29 |
| SP2-350-12 | 1 STR. - 350 kcmil | .332 - .682 | 38 | 5/8-11 | 1.50 | 38 | 1.00 | 25 | 2.69 | 68 | 1.25 | 32 |
| SP2-350L-12 | 1 STR. - 350 kcmil | .332 - .682 | 38 | 5/8-11 | 1.50 | 38 | 1.50 | 38 | 2.69 | 68 | 1.25 | 32 |
| SP2-500-12 | 3/0 STR. - 500 kcmil | .470 - .815 | 46 | 3/4-10 | 1.81 | 46 | 1.38 | 35 | 3.19 | 81 | 1.50 | 38 |
| SP2-500L-12 | 3/0 STR. - 500 kcmil | .470 - .815 | 46 | 3/4-10 | 1.81 | 46 | 1.75 | 44 | 3.19 | 81 | 1.50 | 38 |

NOTES:

1. MATERIAL: HIGH COPPER CONTENT
HARD DRAWN ROD
2. USED FOR CONNECTING CONDUCTORS
TO VARIOUS SIZES OF TAPPED HOLE

| | | | | | | | |
|-----|-------|-----------|---|-------------|-----|-------|-----------------------|
| 03 | 12/08 | JHNU JHNU | REVISED STUD SIZE FOR SP2-4-C & SP2-4L-C: 5/16-18 WAS 5/16-20 | | | | |
| 02 | 10/08 | JHNU JHNU | REVISED UL LISTING CONVERTED DWG. TO SOLIDWORKS | | | | |
| 01 | 9/97 | JKD | REMOVED SCS-11, SCS-11 A1, SCS-12, SCS-12 A1 REPLACED CATALOG NUMBERS WITH FINISHED PART NUMBERS | | | | |
| 00 | 7/97 | TM | DWG. RELEASED | | | | |
| REV | DATE | BY | CHK | DESCRIPTION | ECN | SCALE | DRAWING NO / CAD FILE |
| | | | | | | N/A | C41214_03 |



PANDUIT CORP. TINLEY PARK, ILLINOIS

BRONZE SERVICE POST CONNECTORS, TYPE SP2
CUSTOMER DRAWING