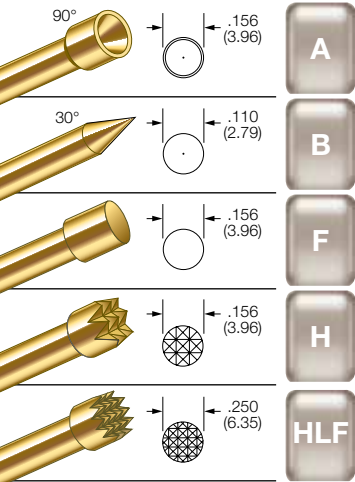


# Series S SIZE 5 .187 CENTERS

## BeCu PLUNGER TIPS



## PROBE SPECIFICATIONS

**Minimum Centers:** .187 (4.75)  
.275 (6.99) for HLF tip style

**Current Rating:** 5 amps  
continuous

**Spring Force:** 8.0, or 16.4 oz.  
@ .170 (4.32) travel

**Typical Resistance:** < 8 mΩ

**Maximum Travel:** .250 (6.35)

**Working Travel:** .170 (4.32)

Rated Force oz (g)	Preload oz (g)	Material
8.0 (227)	3.1 (88)	SS
16.4 (465)	2.8 (79)	MW

## MATERIALS

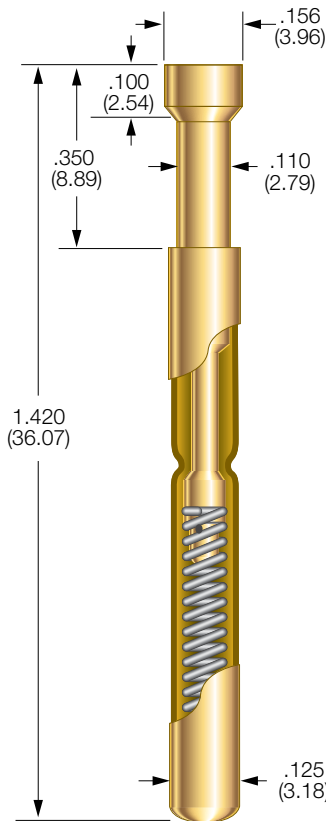
**Barrel:** Nickel/silver, gold plated

**Spring:** Music wire or stainless steel

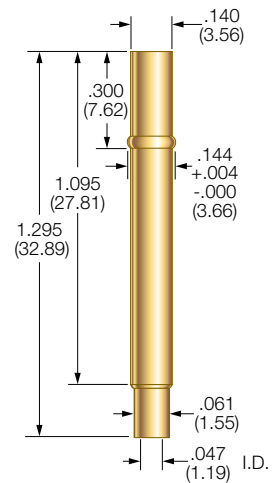
**Plunger:** Beryllium copper, gold plated over nickel or Duralloy™

**Receptacle:** Nickel/silver, gold plated, gold plated post

## S-5 PROBE



## R-5 Receptacle



**Drill Size:** 3,60mm

**Mounting Hole Size:**  
.141/.143 (3.58/3.63)

**Recommended Wire:** 22-26 gage

## RECEPTACLE OPTIONS

Part Number	Style	Receptacle Length	Probe/Receptacle Combined Length	Comments
R-5-CR	Crimp	1.295 (32.89)	1.620 (41.15)	—
R-5-SC	Solder Cup	1.295 (32.89)	1.620 (41.15)	—
R-5-WW-429	Wire Wrap	1.724 (43.79)	2.049 (52.04)	.429 post length - .025 sq.

## HOW TO ORDER: SPRING CONTACT PROBE

<b>S</b>	<b>5</b>	<b>A</b>	<b>16.4</b>	<b>G</b>
SERIES	SIZE	TIP STYLE	SPRING FORCE	PLATING OPTIONS

**SPRING FORCE:**  
8.0 oz. @ .170 (4.32) TRAVEL  
16.4 oz. @ .170 (4.32) TRAVEL

**CRIMPING PLIERS:** CP5  
**INSERTION TOOL:** RT5

**PLATING OPTIONS:**  
**G:** GOLD PLATED PLUNGER  
**D:** DURALLOY™ PLATED PLUNGER

## RECEPTACLE

<b>R</b>	<b>5</b>	<b>WW</b>	<b>429</b>
SERIES	SIZE	TERMINATION	POST LENGTH

**TERMINATIONS:**  
**CR:** CRIMP  
**SC:** SOLDER CUP  
**WW:** WIRE WRAP

**POST LENGTH:**  
**WW:** 429

VIEW UPDATES OF THIS INFORMATION AT [WWW.IDINET.COM](http://WWW.IDINET.COM)

Specifications subject to change without notice. Dimensions in inches (millimeters)