

THIS DRAWING IS UNPUBLISHED. RELEASED FOR PUBLICATION
 © COPYRIGHT BY TYCO ELECTRONICS CORPORATION. ALL RIGHTS RESERVED.

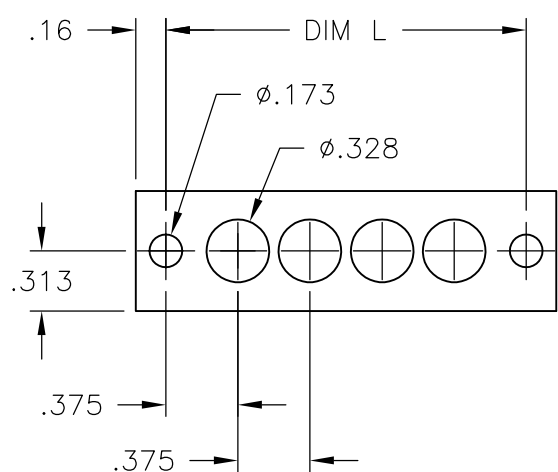
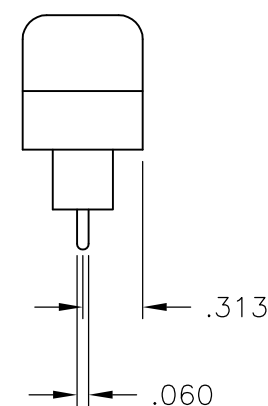
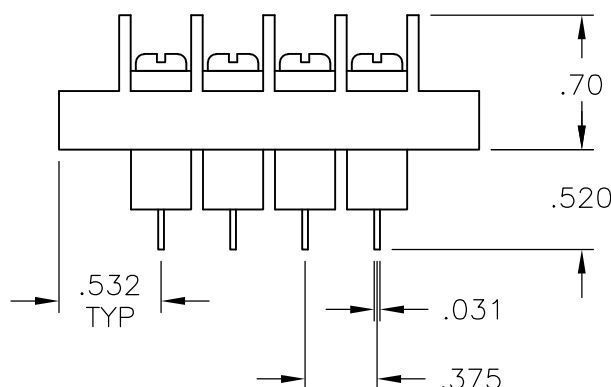
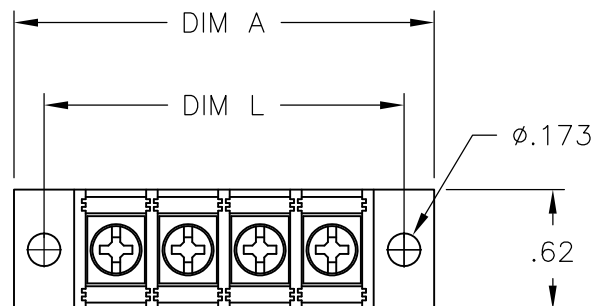
LOC	DIST	REVISIONS					
FT	0	P	LTR	DESCRIPTION	DATE	DWN	APVD
			C	REVISED PER ECO-10-013617	26JUL10	HMR	CR

MATERIAL:
 HOUSING: THERMOPLASTIC, UL94V-0, BLACK.
 TERMINALS: BRIGHT TIN OVER COPPER ALLOY.
 SCREWS: 6-32, STEEL, ZINC PLATING W/ CLEAR CHROMATE. (EXCEPT AS NOTED.)

ELECTRICAL:
 UL/CSA
 CLASS C: 20A, 300V.
 CLASS D: 5A, 600V.
 WIRE RANGE: 12-22 AWG.

MECHANICAL:
 RECOMMENDED TORQUE: 7 IN-LB.
 OPERATING TEMP.: 105°C MAX.

1 NICKEL PLATED BRASS SCREWS.



MOUNTING PANEL LAYOUT

9.000	9.314	23	JC6-E307-23	2-1546724-3
8.625	8.939	22	JC6-E307-22	2-1546724-2
8.250	8.564	21	JC6-E307-21	2-1546724-1
7.875	8.189	20	JC6-E307-20	2-1546724-0
7.500	7.814	19	JC6-E307-19	1-1546724-9
7.125	7.439	18	JC6-E307-18	1-1546724-8
6.750	7.064	17	JC6-E307-17	1-1546724-7
6.375	6.689	16	JC6-E307-16	1-1546724-6
6.000	6.314	15	JC6-E307-15	1-1546724-5
5.625	5.939	14	JC6-E307-14	1-1543724-4
5.250	5.564	13	JC6-E307-13	1-1546724-3
4.875	5.189	12	JC6-E307-12	1-1546724-2
4.500	4.814	11	JC6-E307-11	1-1546724-1
4.125	4.439	10	JC6-E307-10	1-1546724-0
3.750	4.064	9	JC6-E307-09	1546724-9
3.375	3.689	8	JC6-E305-08	2-1546724-8
3.000	3.314	7	JC6-E307-08	1546724-8
3.000	3.314	7	JC6-E307-07	1546724-7
2.625	2.939	6	JC6-E305-06	2-1546724-7
2.625	2.939	6	JC6-E307-06	1546724-6
2.250	2.564	5	JC6-E305-05	2-1546724-4
2.250	2.564	5	JC6-E307-05	1546724-5
1.875	2.189	4	JC6-E307-04	1546724-4
1.500	1.814	3	JC6-E305-03	2-1546724-6
1.500	1.814	3	JC6-E307-03	1546724-3
1.125	1.439	2	JC6-E307-02	1546724-2
DIM L	DIM A	NO OF POS	CATALOG NUMBER	TE NUMBER

THIS DRAWING IS A CONTROLLED DOCUMENT.		DWN	S SCHLEGEL	3/10/05	Tyco Electronics Corporation Harrisburg, Pa 17105-3608		
DIMENSIONS: INCHES		CHK	S. YODER	3/10/05	NAME		
TOLERANCES UNLESS OTHERWISE SPECIFIED:		APVD	S. YODER	3/10/05	JC6-E307-XX ASSEMBLY		
0 PLC ± -		PRODUCT SPEC		SIZE			
1 PLC ± -		APPLICATION SPEC		CAGE CODE		DRAWING NO	
2 PLC ± .01		WEIGHT		A3		00779	
3 PLC ± .005		CUSTOMER DRAWING		C-		1546724	
4 PLC ± -		SCALE		NTS		SHEET 1 OF 1	
ANGLES ± -		RESTRICTED TO		REV		C	
MATERIAL		FINISH					