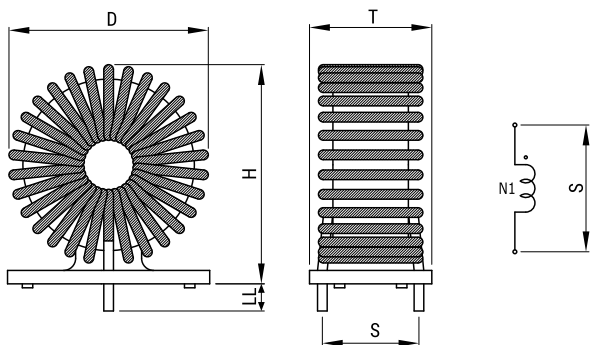


KEMET Part Number: SN12-500J
(UALSN12500J000)

KEMET, SN-J, AC Line Filters, Normal Mode, 100 uH



Dimensions

D	28mm MAX
W	22mm NOM
T	17mm MAX
H	29mm MAX
LL	7mm +/-2mm
S	10mm NOM

Packaging Specifications

Packaging:	Tray
Packaging Quantity:	300
Weight:	20 g

General Information

Series:	SN-J
Style:	Through-Hole
RoHS:	Yes
Miscellaneous:	38 (K) Temperature Rise Max.

Specifications

Inductance:	100 uH (0.1 MHz)
Current:	5 A
Temperature Range:	-25/+105°C
DC Resistance:	45 mOhms