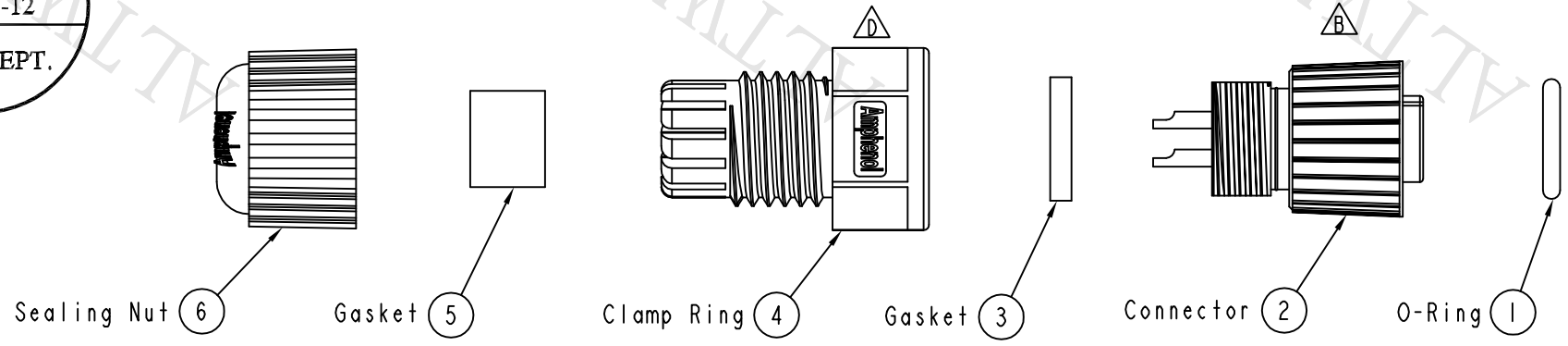
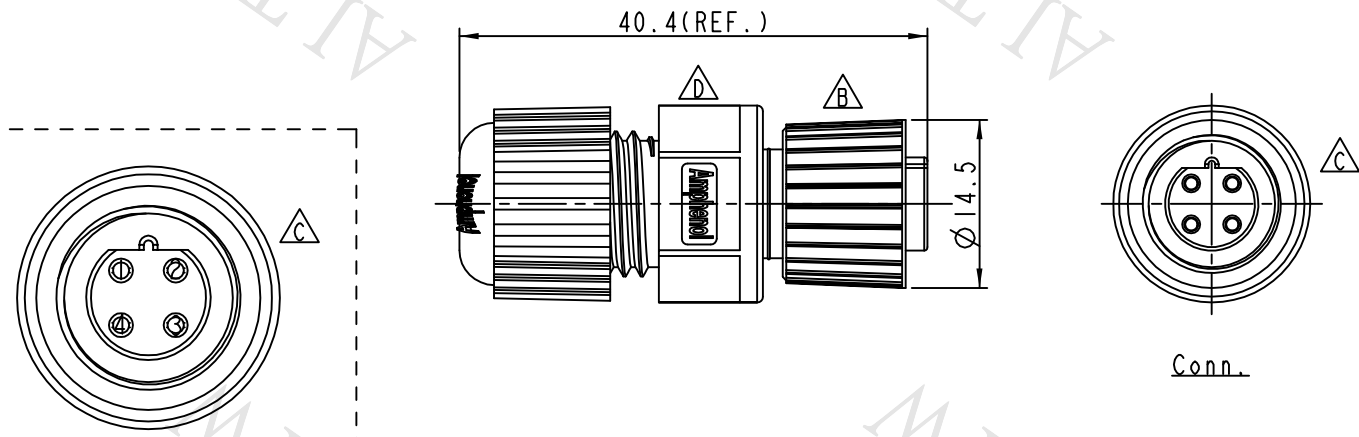


REV.	ECN NO.	DATE	SIGN	DESCRIPTION
B	LE3-6B0079	2006/10/31	Jerry	Remove the section & Change nut
C	LEN1340064	2013/04/13	Yulong	Update The Drawing
D	LEN1480596	2014/08/12	Rita	Update Logo

ALTW
CONFIDENTIAL
2014-08-12
R&D DEPT.



ALTW
DCC. DEPT.
CONFIDENTIAL
2014.09.01
ISSUED



- Note:
- * Waterproof Rate: IP68
 - * Housing: Black, Nylon+GF
 - * Pin: Copper Alloy, Gold Plated
 - * Nut: Zinc Alloy, Nickel Plated
 - * Ring: Green, Viton
 - * Gasket: Black, EPDM
 - * Clamp Ring: Black, Nylon
 - * Sealing Nut: Black, Nylon
 - * Seals: Black, EPDM
 - * Seal For Cable OD: $\phi 4.5\text{mm} \sim \phi 6.5\text{mm}$

UNIT: mm

TOLERANCE	
.X	± 0.25
.XX	± 0.1
.XXX	± 0.05
ANGLES	$\pm 1^\circ$

TITLE M12 B Code Assy Screw 4Pin F Conn F Pin			
SCALE 3:2	SIZE A4	SHEET 1 OF 1	
REV. D	WC-REV. A.6	QC: Inspection item	

Amphenol LTW
安費諾亮泰企業股份有限公司

ITEM NO 12B-04BFFA-SL8001	DRAWN BY Rita	DATE 2014-08-12
DWG NO 12B-04BFFA-SL8001	CHECKED BY Kris	DATE 2014-08-12
CUSTOMER ALTW	APPROVED BY Wenmao	DATE 2014-08-12

DATE 2014-08-12
DATE 2014-08-12
DATE 2014-08-12

THIS DOCUMENT IS SUBJECT TO CHANGE WITHOUT NOTICE. IT IS CONFIDENTIAL AND A PROPERTY OF Amphenol LTW. DISCLOSURE TO THIRD PARTY HAS TO BE AUTHORIZED BY Amphenol LTW.