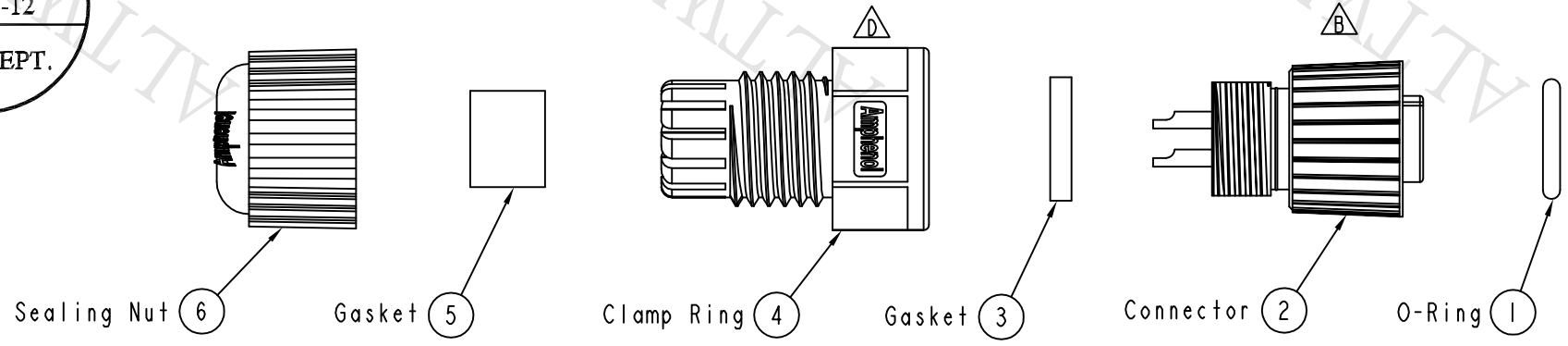
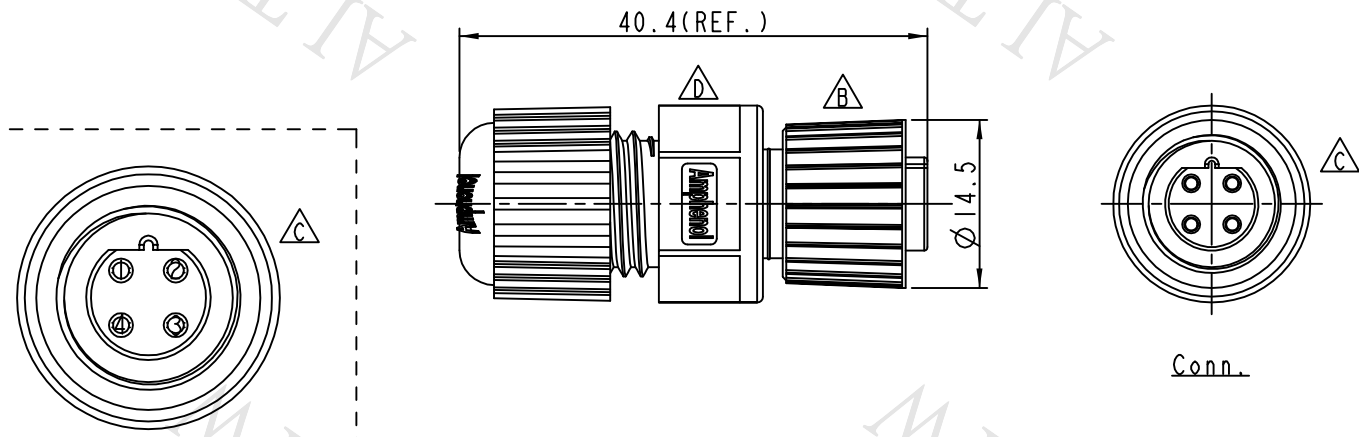


REV.	ECN NO.	DATE	SIGN	DESCRIPTION
B	LE3-6B0079	2006/10/31	Jerry	Remove the section & Change nut
C	LEN1340064	2013/04/13	Yulong	Update The Drawing
D	LEN1480596	2014/08/12	Rita	Update Logo

ALTW  
CONFIDENTIAL  
2014-08-12  
R&D DEPT.



ALTW  
DCC. DEPT.  
CONFIDENTIAL  
2014.09.01  
ISSUED



Pin Assignments  
Front View

- Note:
- \* Waterproof Rate: IP68
  - \* Housing: Black, Nylon+GF
  - \* Pin: Copper Alloy, Gold Plated
  - \* Nut: Zinc Alloy, Nickel Plated
  - \* Ring: Green, Viton
  - \* Gasket: Black, EPDM
  - \* Clamp Ring: Black, Nylon
  - \* Sealing Nut: Black, Nylon
  - \* Seals: Black, EPDM
  - \* Seal For Cable OD:  $\phi 4.5\text{mm} \sim \phi 6.5\text{mm}$

UNIT: mm		
TOLERANCE	.X ±0.25	
	.XX ±0.1	
	.XXX ±0.05	
ANGLES	±1°	

TITLE M12 B Code Assy Screw 4Pin F Conn F Pin			
SCALE 3:2	SIZE A4	SHEET 1 OF 1	
REV. D	WC-REV. A.6	QC: Inspection item	

**Amphenol LTW**  
安費諾亮泰企業股份有限公司

ITEM NO 12B-04BFFA-SL8001	DRAWN BY Rita	DATE 2014-08-12
DWG NO 12B-04BFFA-SL8001	CHECKED BY Kris	DATE 2014-08-12
CUSTOMER ALTW	APPROVED BY Wenmao	DATE 2014-08-12

DATE 2014-08-12
DATE 2014-08-12
DATE 2014-08-12

THIS DOCUMENT IS SUBJECT TO CHANGE WITHOUT NOTICE. IT IS CONFIDENTIAL AND A PROPERTY OF Amphenol LTW. DISCLOSURE TO THIRD PARTY HAS TO BE AUTHORIZED BY Amphenol LTW.