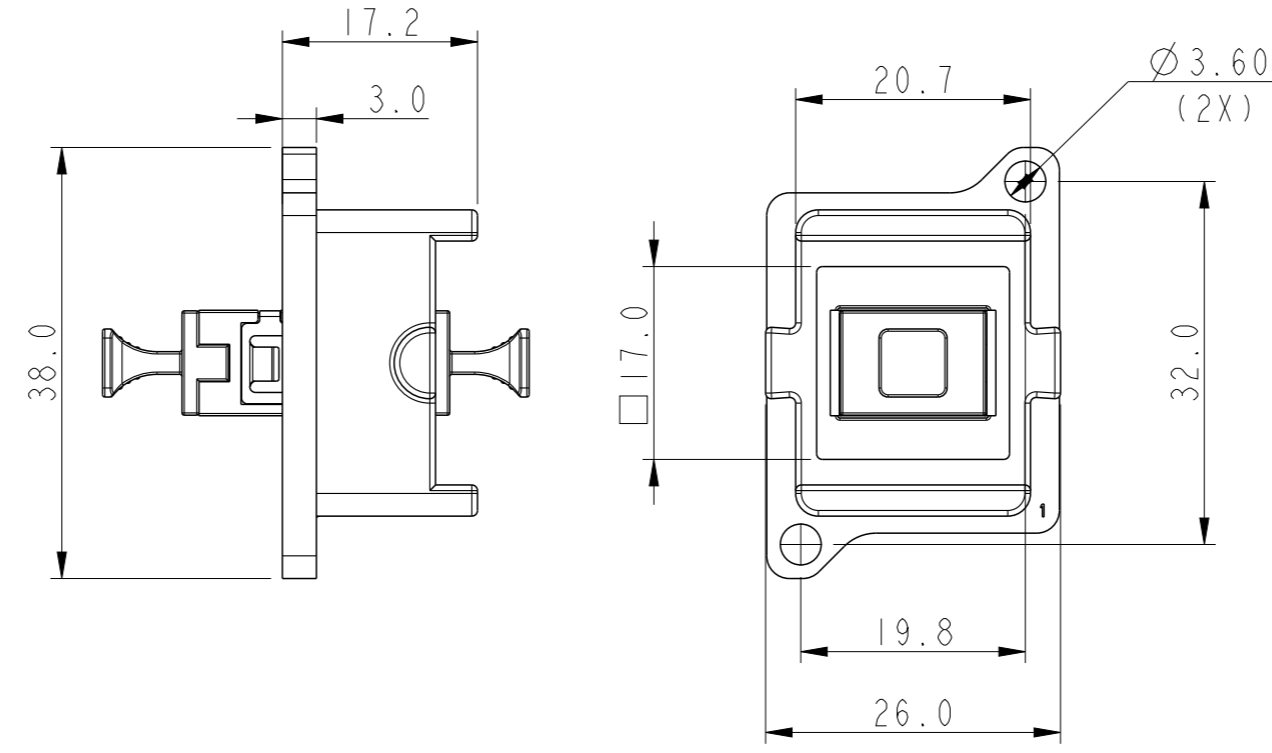
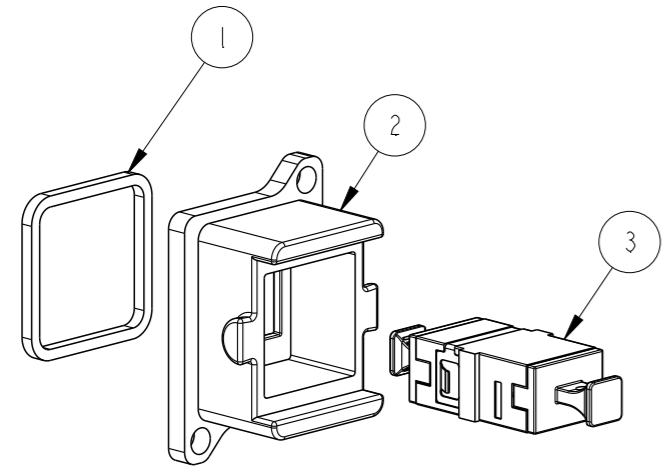
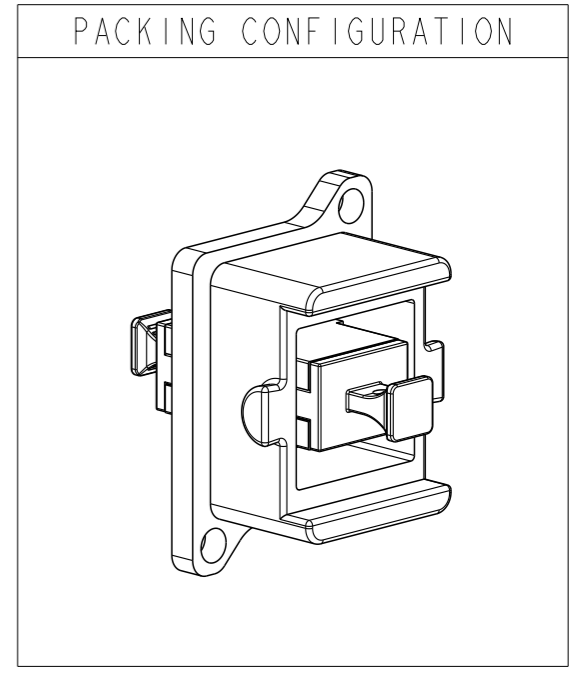
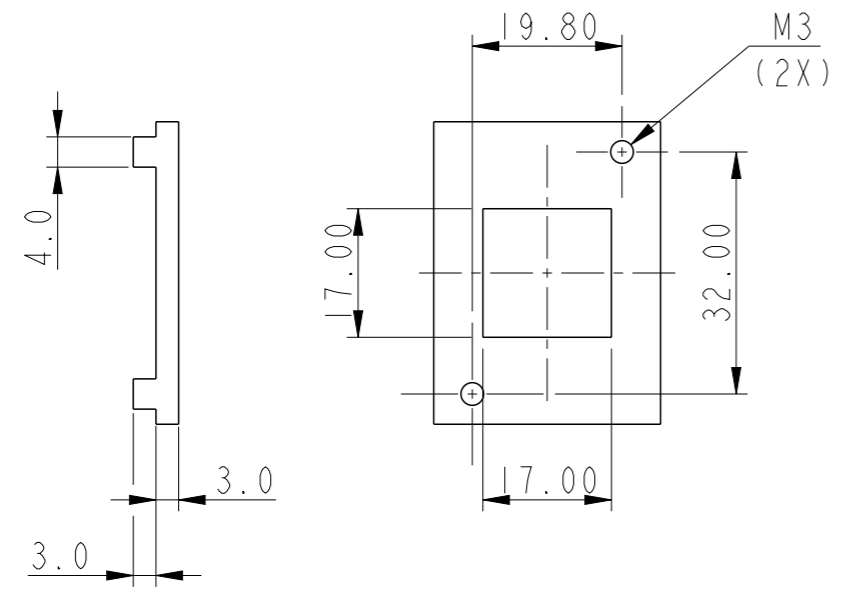


PART NUMBER  
10145295-101LF

BULKHEAD ADAPTER ASSEMBLY FOR OCTIS MPO ADAPTER PLUG KIT



PANEL CUTOUT DIMENSIONS



SL NO.	COMPONENT	MATERIAL	QTY	COLOUR
1	SEALING GASKET	SILICONE	1	BLACK
2	BULKHEAD FOR MPO ADAPTER	IXEF	1	BLACK
3	MPO ADAPTER	PEI+PP+STAINLESS STEEL	1	BLACK

- NOTES:  
 1. TO BE USED WITH OCTIS PLUG KIT FOR MPO ADAPTER VERSION, PITCH 26 MM- PART NUMBER 10145416-XXXLF  
 2. CASTED MOUNTING PANEL SHOULD HAVE ON ITS REAR SIDE INTEGRAL RECTANGULAR REINFORCED RIBS OF 3MM THICKNESS AND 4MM WIDTH ALONG THE MOUNTING SCREW PLANE AT THE TOP AND BOTTOM TO ACCOMODATE THE BLIND INTERNAL SCREW THREAD

spec ref	dr	BT Varghese	2018/01/12	projection	MM	size	A3	scale	1:1
tolerance std	eng	BT Varghese	2018/01/18			ecn no		rel level	
ISO 406 ISO 1101	chr	-	-			-		Released	
surface	linear	0.X	±0.3	<b>Amphenol FCI</b>	MPO ADAPTER AND BULKHEAD ASSEMBLY FOR OCTIS MPO ADAPTER PLUG KIT, PITCH 26 MM	dwg no 10145295	rev		
		0.XX	±0.10				A		
ISO 1302	angular	0°	±2°				cat. no.	-	Product - Customer Drw