

25Sx10P CONFIGURATION SHOWN  
HOLD DOWN TYPE

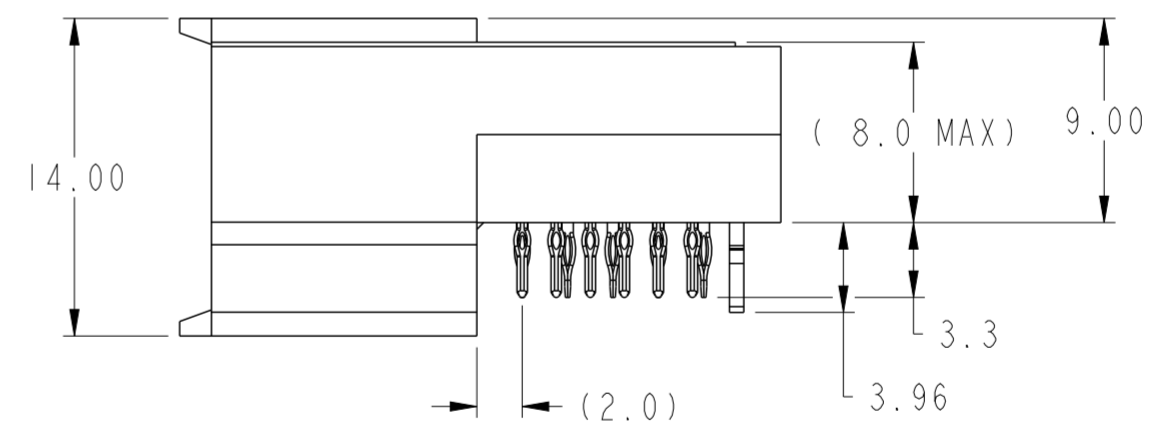
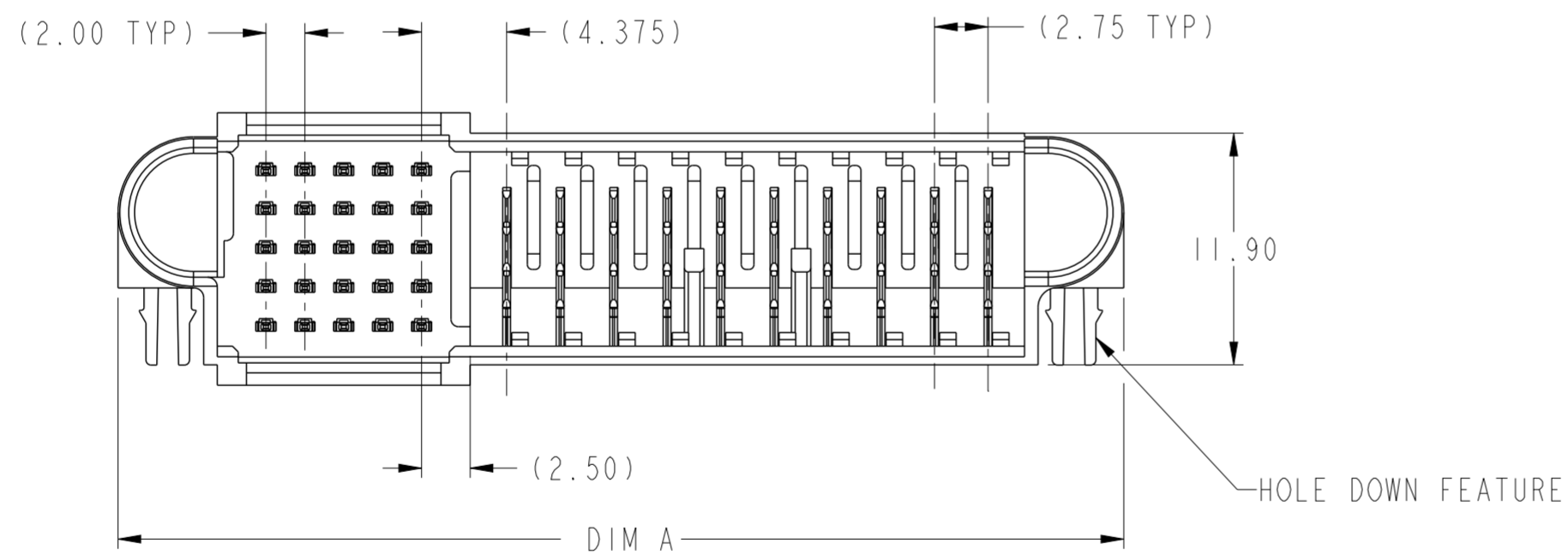
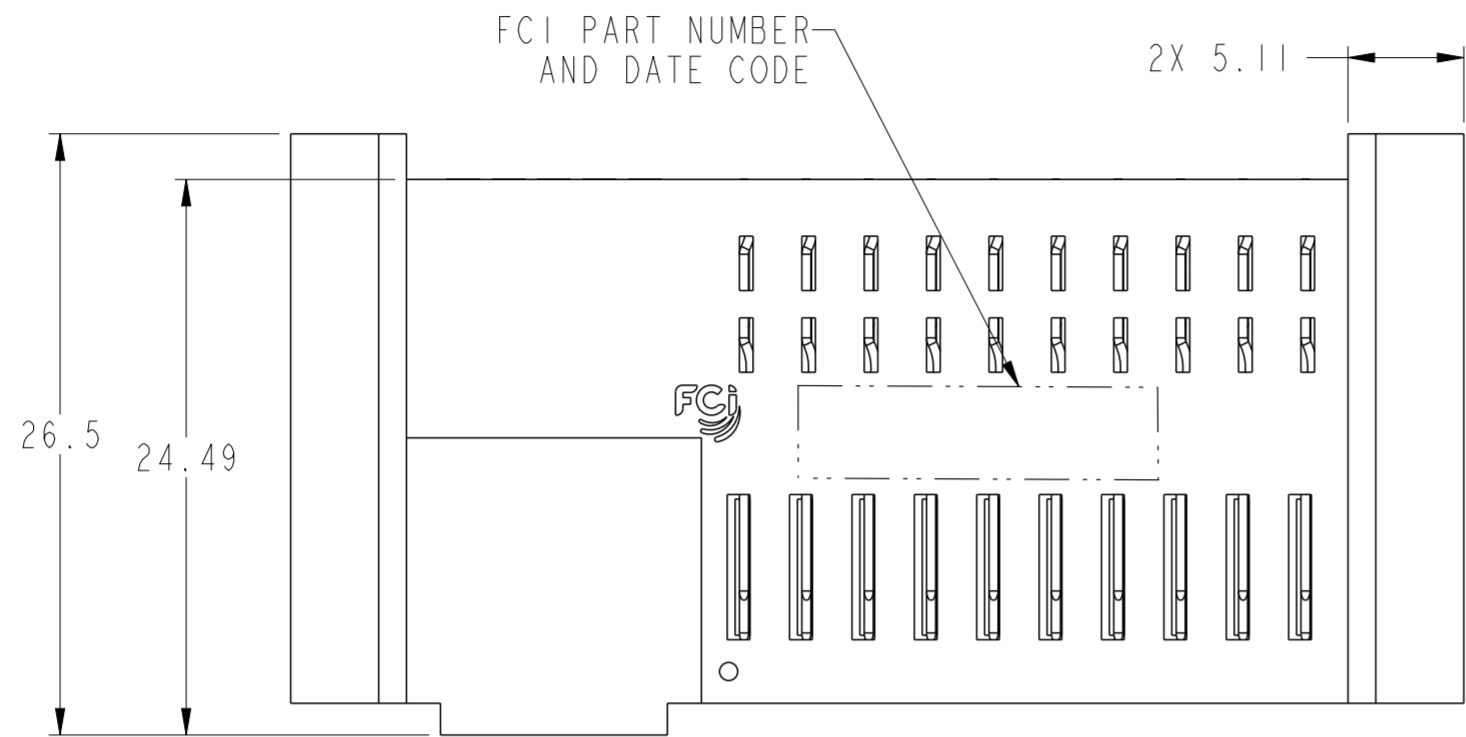
NOTES:

1. HOUSING MATERIAL: GF LCP, COLOR: BLACK, UL 94 V-0 RATED  
SIGNAL CONTACT MATERIAL: PHOSPHOR BRONZE  
SIGNAL PIN OVERMOLD MATERIAL: GF POLYESTER  
POWER CONTACT MATERIAL: COPPER ALLOY
2. PLATING ON SIGNAL CONTACTS: 1.27 $\mu$ m MIN Ni UNDERPLATING ALL OVER WITH 0.76 $\mu$ m MIN GXT IN CONTACT MATING AREA, AND 0.5 $\mu$ m MIN MATTE TIN ON TAIL AREA.  
  
PLATING ON POWER CONTACTS: 1.27 $\mu$ m MIN Ni UNDERPLATING ALL OVER WITH 0.76 $\mu$ m MIN GXT IN CONTACT MATING AREA, AND 0.5 $\mu$ m MIN MATTE TIN ON TAIL AREA.  
  
PLATING ON HOLD DOWN IF APPLICABLE: 1.27 $\mu$ m MIN Ni, UNDERPLATING ALL OVER WITH 0.76 $\mu$ m MIN MATTE TIN OVER.
3. LUBRICATION: LUBRICATE ON CONTACT AREA.
4. RECOMMENDED PCB THICKNESS IS:  
FOR PRESS FIT APPLICATION: 1.4mm MIN  
FOR SOLDER APPLICATION: 1.40mm THROUGH 2.62mm.
5. FOR SCREW MOUNT APPLICATIONS, A #4-40 UNC PAN SCREW WITH HEX NUT IS RECOMMENDED (SUPPLIED BY CUSTOMER).
6. FOR PRESS FIT  $\varnothing 0.61 \pm 0.05$ mm, FOR SOLDER  $\varnothing 0.90 \pm 0.05$ mm.
7. UNPLATED HOLES.
8. HOLD DOWN APPLICATION NEEDED.
9. PRODUCT SPECIFICATION: GS-12-1064  
APPLICATION SPECIFICATION: GS-20-0362

Copyright FCI. FCI

spec ref	SEE NOTE	dr	Fancy Zhang	2015/11/24	projection	MM	size	A2	scale	3:1		
tolerance std	TOLERANCES UNLESS OTHERWISE SPECIFIED	eng	Fancy Zhang	2015/12/25			ecn no	-	rel level	Released		
ASME Y14.5		chr	-	-								
-		appr	Pai-Ming Zheng	2015/12/25							product family	PwrLoPro
surface		linear	0.X	$\pm 0.30$							title	PWR LoPro HEADER ASSEMBLY
ASME Y14.5	angular	0°	$\pm 2^\circ$	www.fci.com	cat. no.	-	Product - Customer Drw	sheet 1 of 3				

PART NUMBER	CONFIGURATION	DIM "A"	DIM "C" FOR HOLD DOWN	"D" SPACES	"E" SPACES	"F" QTY.	"G" QTY.	MOUNTING FEATURE
10108877-R02403HLF	40S+2P	35.71	30.6	7	1	40	12	HOLD DOWN



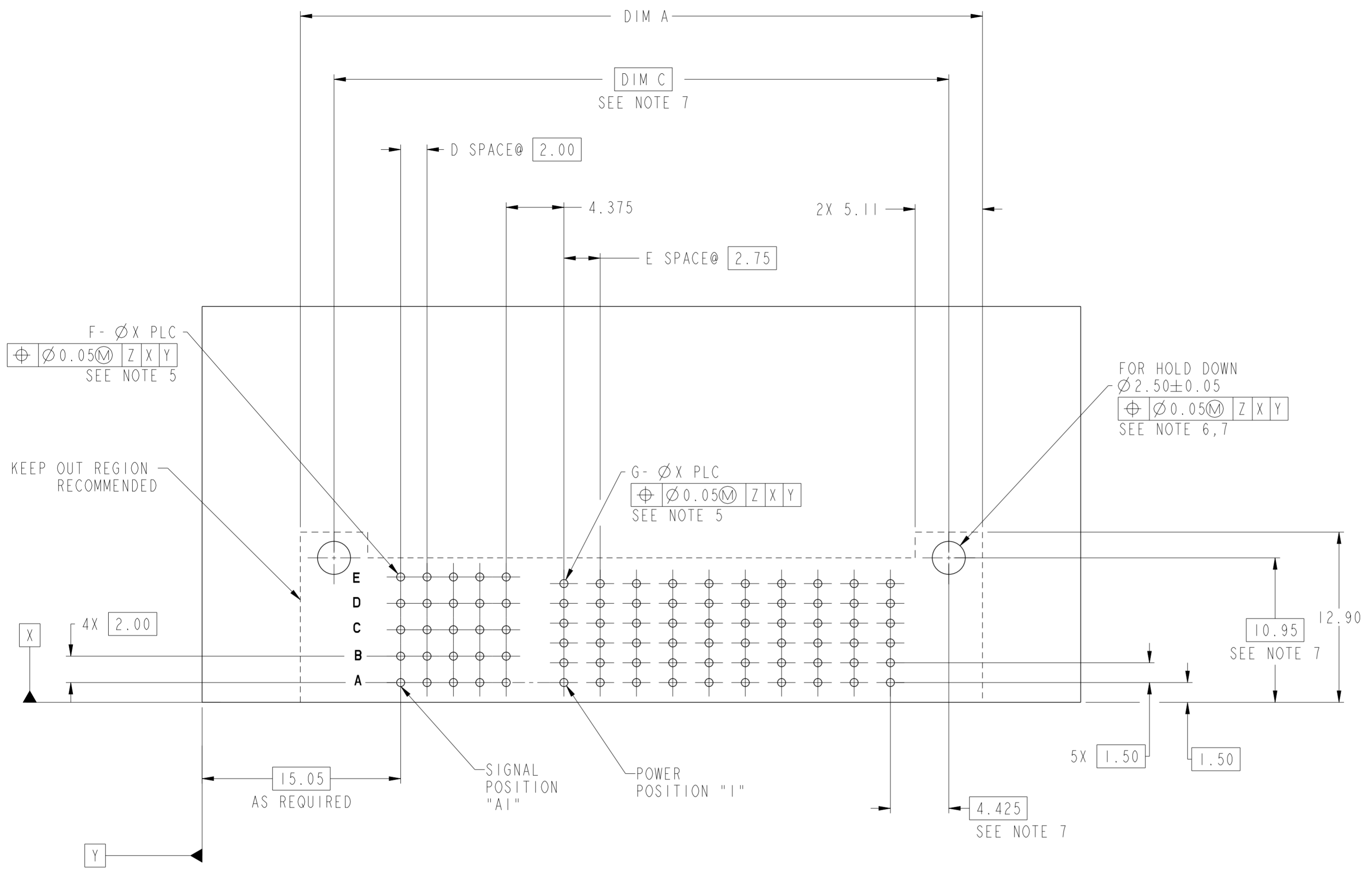
HOLE DOWN TYPE AS SHOWN

spec ref	SEE NOTE	dr	Fancy Zhang	2015/11/24	projection	MM	size	A2	scale	1:1											
tolerance std	ASME Y14.5	eng	Fancy Zhang	2015/12/25			ecn no	-	rel level	Released											
TOLERANCES UNLESS OTHERWISE SPECIFIED		chr	-	app							Pei-Ming Zheng	2015/12/25	product family	PwrLoPro							
surface	<table border="1"> <tr> <td>linear</td> <td>0.X</td> <td>±0.30</td> </tr> <tr> <td></td> <td>0.XX</td> <td>±0.20</td> </tr> <tr> <td></td> <td>0.XXX</td> <td>±0.10</td> </tr> <tr> <td>angular</td> <td>0°</td> <td>±2°</td> </tr> </table>	linear	0.X	±0.30		0.XX	±0.20		0.XXX	±0.10	angular	0°	±2°			<b>PWR LoPro HEADER ASSEMBLY</b> RA, PASSIVE GUIDE, 40S+2P		dwg no 10108877-R02403H	rev A	Product - Customer Drw	
linear	0.X	±0.30																			
	0.XX	±0.20																			
	0.XXX	±0.10																			
angular	0°	±2°																			
ASME Y14.5		www.fci.com	cat. no.	-	-		-		sheet 2 of 3												

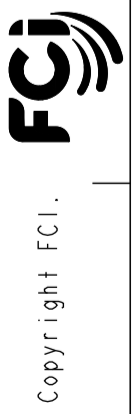
PDS: Rev :A

STATUS:Released

Printed: Dec 25, 2015



**RECOMMENDED PRINTED CIRCUIT BOARD LAYOUT SEE NOTE 4**  
**FOR RAH HOLD DOWN TYPE**  
 (AS VIEWED FROM COMPONENT SIDE)



spec ref	SEE NOTE	dr	Fancy Zhang	2015/11/24	projection	MM	size	A2	scale	1:1	
tolerance std	ASME Y14.5	eng	Fancy Zhang	2015/12/25	chr	-	ecn no	-			
	TOLERANCES UNLESS OTHERWISE SPECIFIED	appr	Pei-Ming Zheng	2015/12/25	product family	PwrLoPro	rel level	Released			
surface	✓	linear	0.X	±0.30	0.XX	±0.20	0.XXX	±0.10	angular	0°	±2°
ASME Y14.5		www.fci.com	cat. no.		PWR LoPro HEADER ASSEMBLY		RA, PASSIVE GUIDE, 40S+2P	10108877-R02403H	rev	A	
						Product - Customer Drw	sheet 3 of 3				