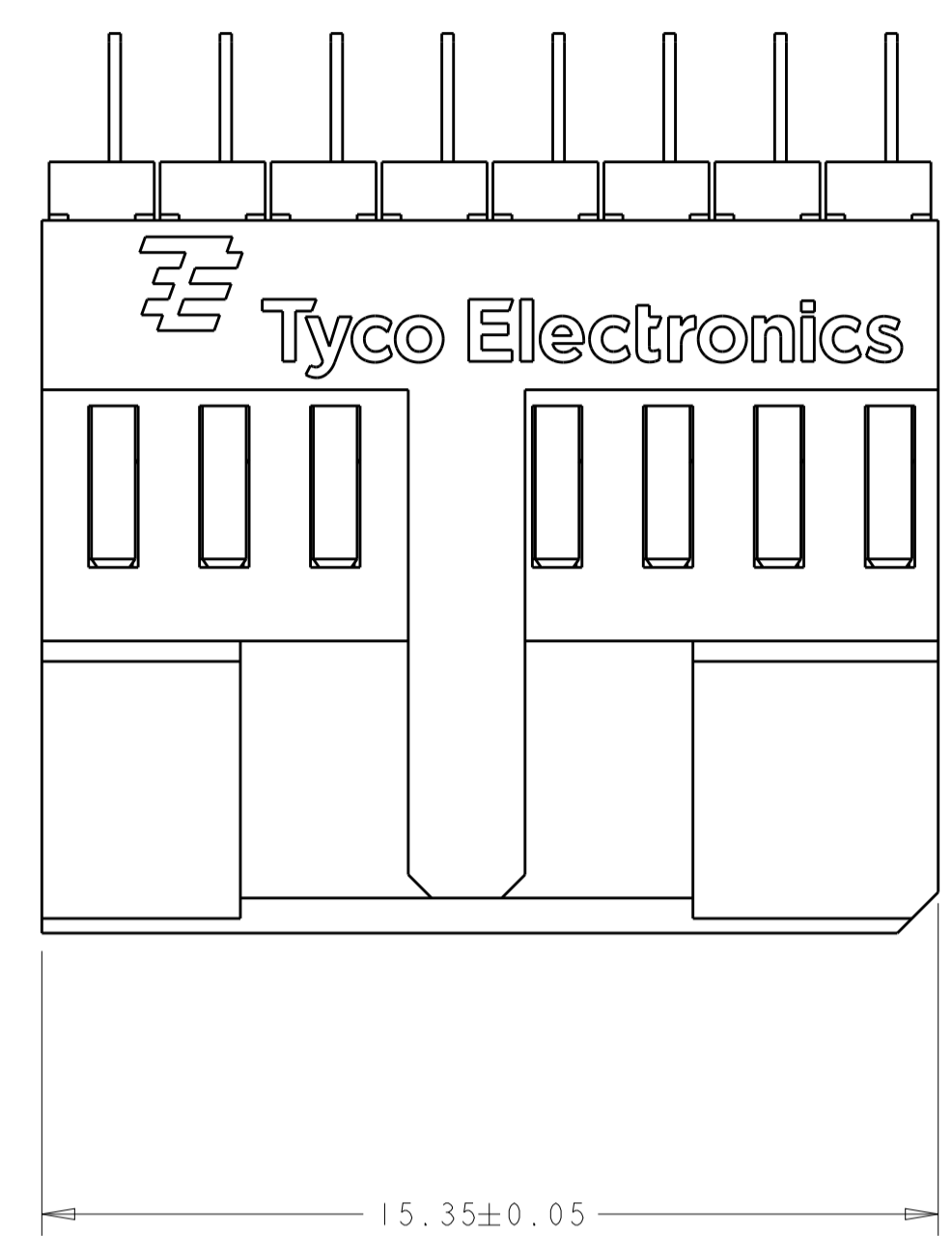
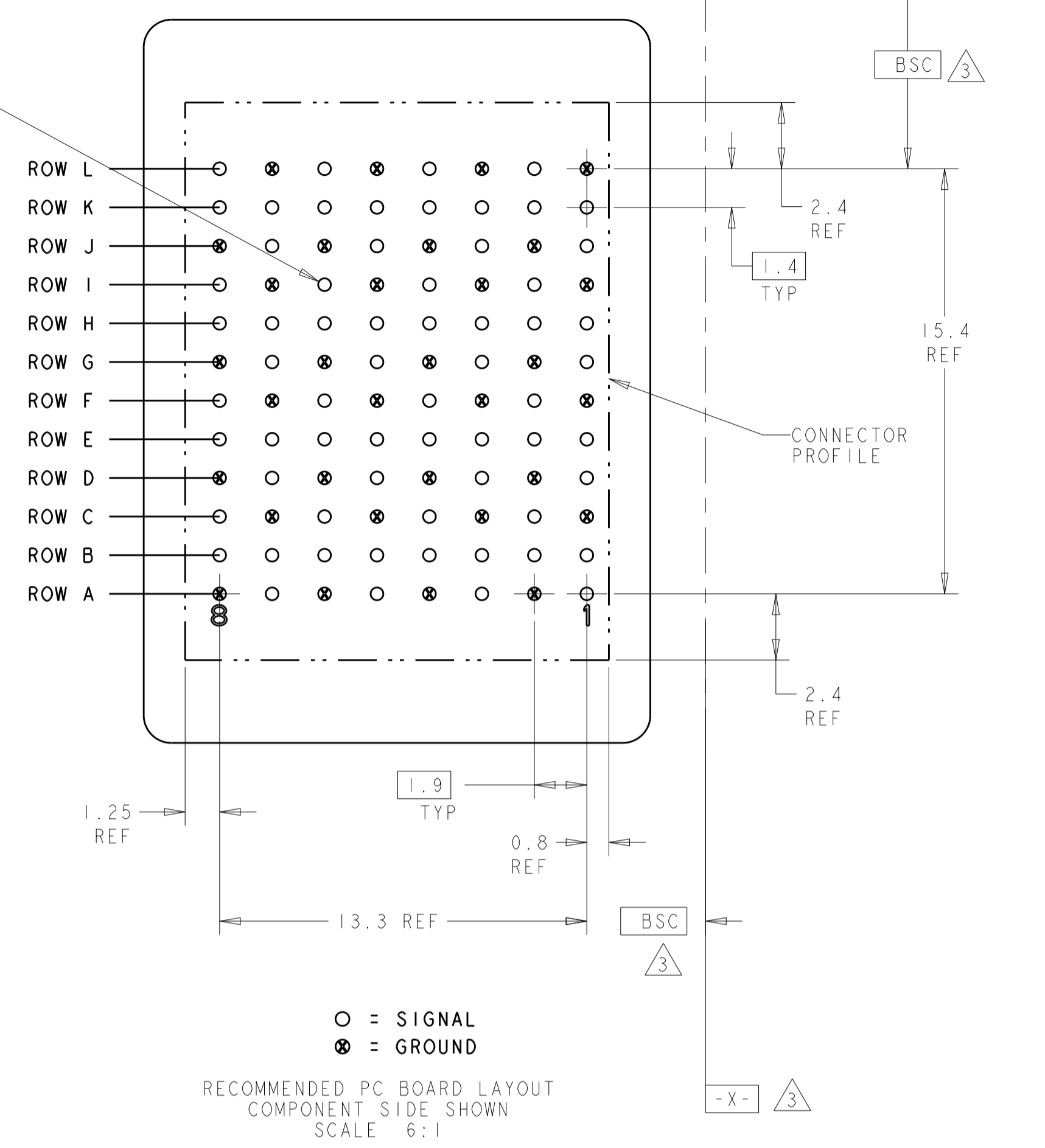


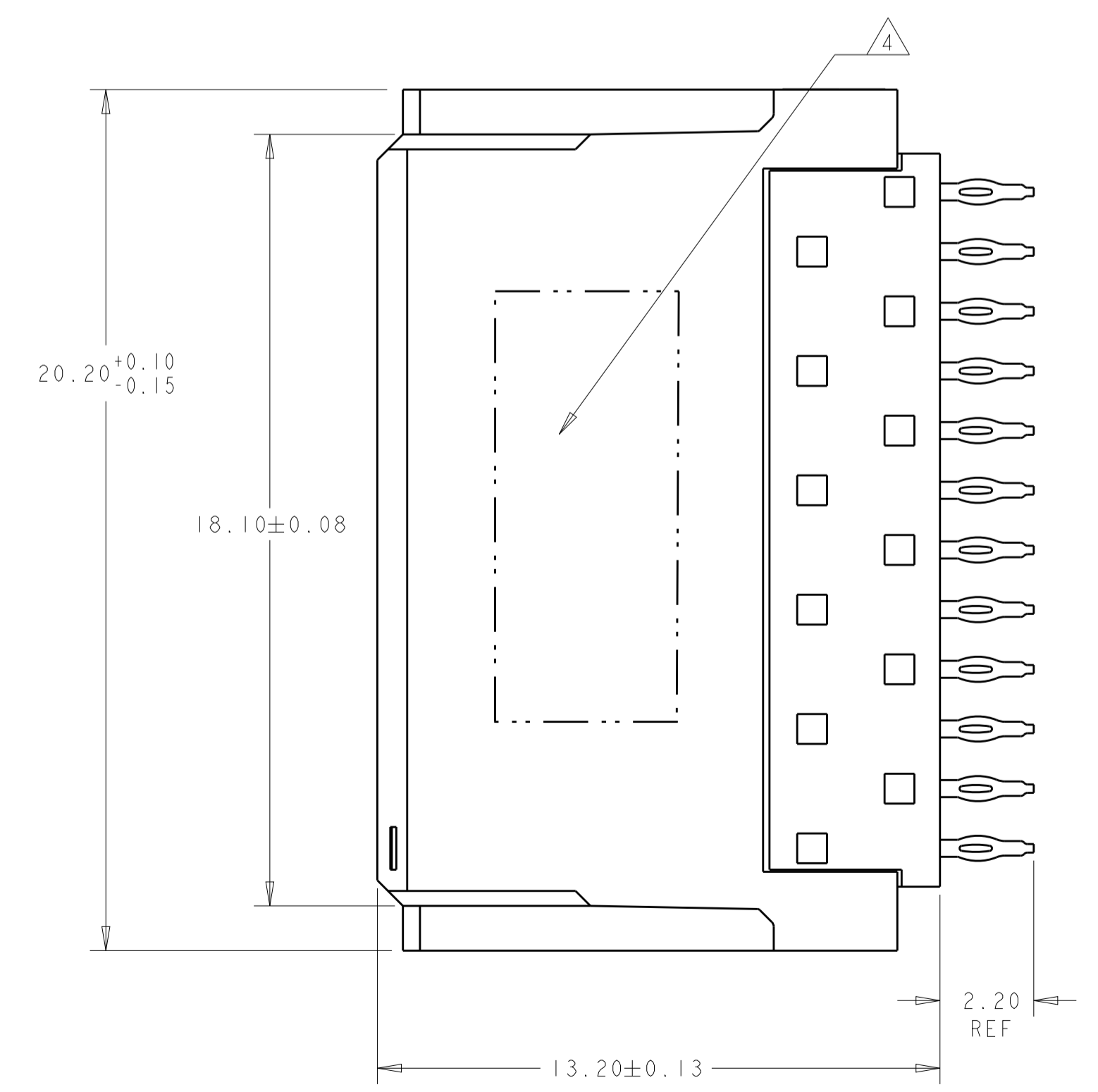
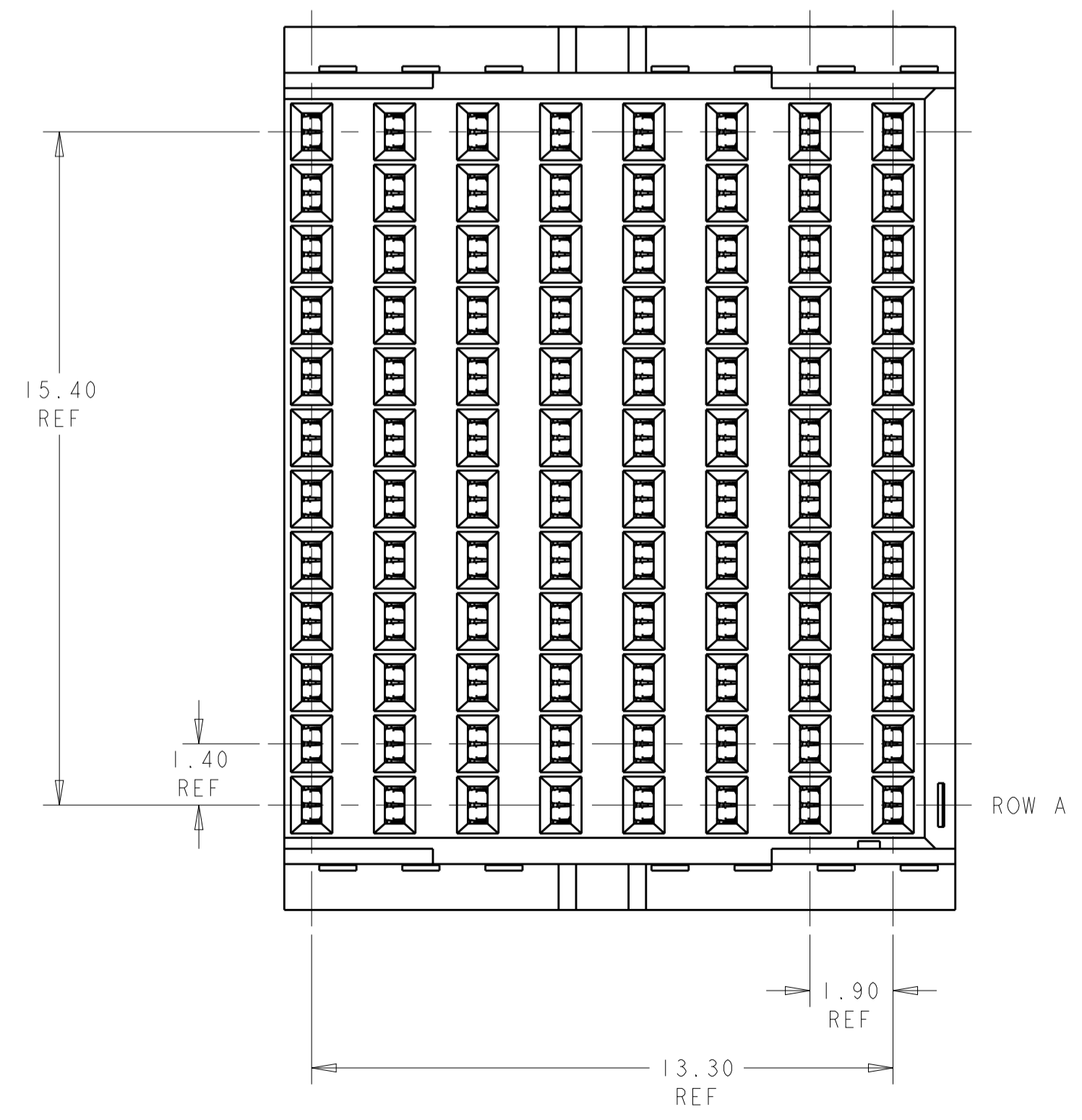
LOC	DIST	REVISIONS			
P	LTN	DESCRIPTION	DATE	DWN	APVD
C		REVISED PER ECO-13-002771	19MAR2013	KH	RP



⊕ ∅0.05 X|Y
FINISHED HOLE SIZE
AND PLATED THRU HOLES



- 1 MATERIAL:
CONTACT - PHOS BRONZE
HOUSING & CHICKLET - LCP, UL 94V-0, COLOR - BLACK
ORGANIZER - STAINLESS STEEL
- 2 FINISH:
CONTACT AREA FINISH CONFORMS TO THE REQUIREMENTS
OF TE PRODUCT SPECIFICATION 108-2303; BASED ON
TELCORDIA GR-1217-CORE FOR SYSTEM QUALITY
LEVEL III, APPLICATIONS IN CONTROLLED
ENVIRONMENTS (CENTRAL OFFICE).
COMPLIANT PIN AREA- 0.5µm MIN MATTE TIN OVER 1.27µm MIN NICKEL.
- 3 DATUMS AND BASIC DIMENSIONS ESTABLISHED BY CUSTOMER.
- 4 CONNECTOR MARKED WITH PART NUMBER AND DATE CODE IN APPROXIMATE AREA SHOWN.
- 5 REFERENCE APPLICATION SPEC FOR RECOMMENDED
PLATING THRU HOLE DIAMETER AND PLATING THICKNESSES.
- 6. CONTACT AREA LUBRICATED WITH BELLCORE APPROVED LUBRICANT. TECHNICAL
REFERENCE GR-1217-CORE, ISSUE 1, NOVEMBER 1995.



1934593-1
PART NUMBER

THIS DRAWING IS A CONTROLLED DOCUMENT.		DWN J. SHOBER 28JAN2008	TE TE Connectivity
DIMENSIONS:		CHK C. RITIER 28JAN2008	
mm	TOLERANCES UNLESS OTHERWISE SPECIFIED:	APVD C. RITIER 28JAN2008	NAME VERTICAL RECEPTACLE ASSEMBLY, 4 PAIR, 8 COLUMN, 16mm STACK HEIGHT
0 PLC ±	1 PLC ±	PRODUCT SPEC 108-2303	SIZE CAGE CODE DRAWING NO RESTRICTED TO
2 PLC ±	3 PLC ±	APPLICATION SPEC 114-13202	A100779C=1934593
4 PLC ±	ANGLES ±	WEIGHT	SCALE 8:1 SHEET 1 OF 1 REV C
MATERIAL	FINISH	CUSTOMER DRAWING	