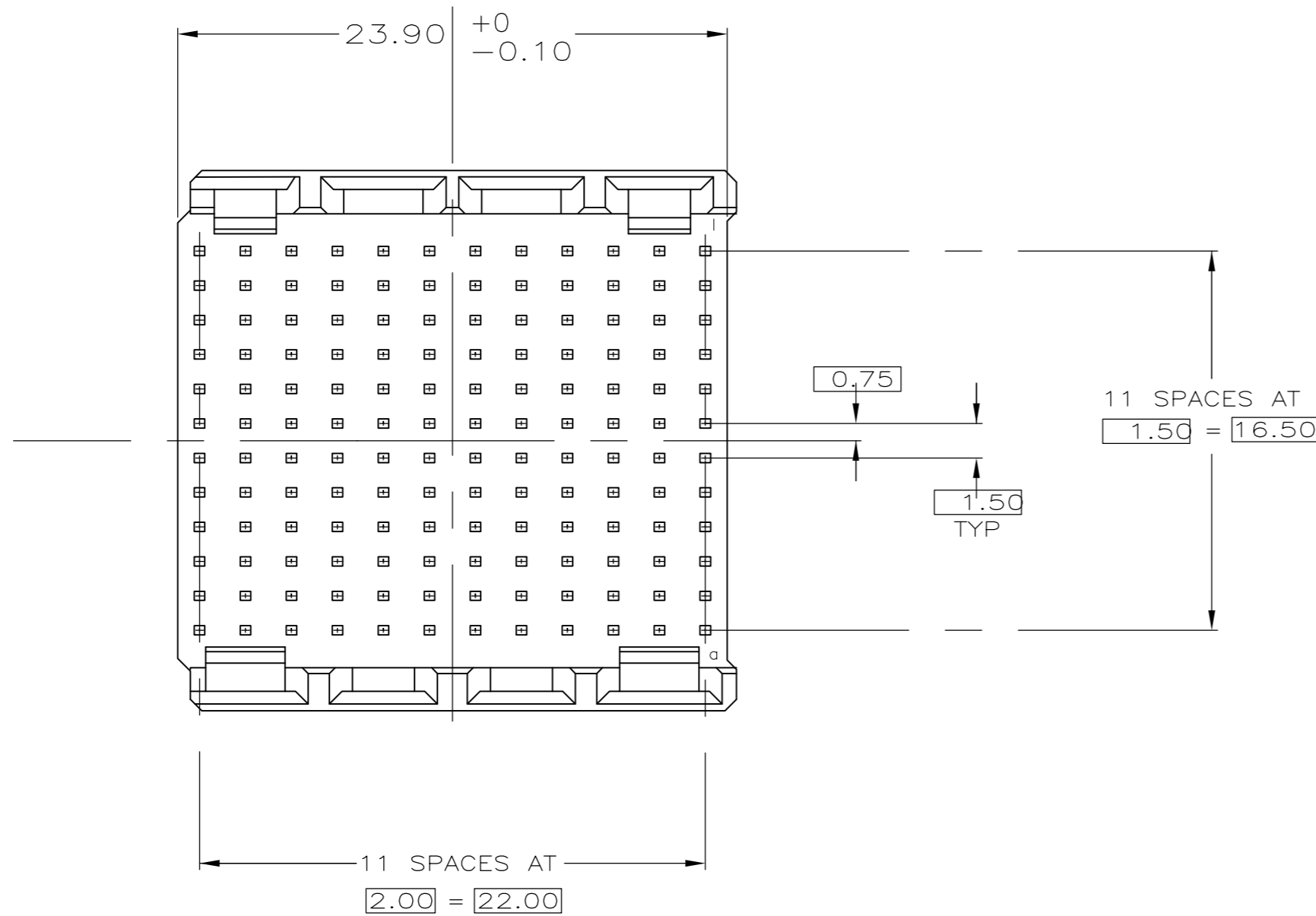
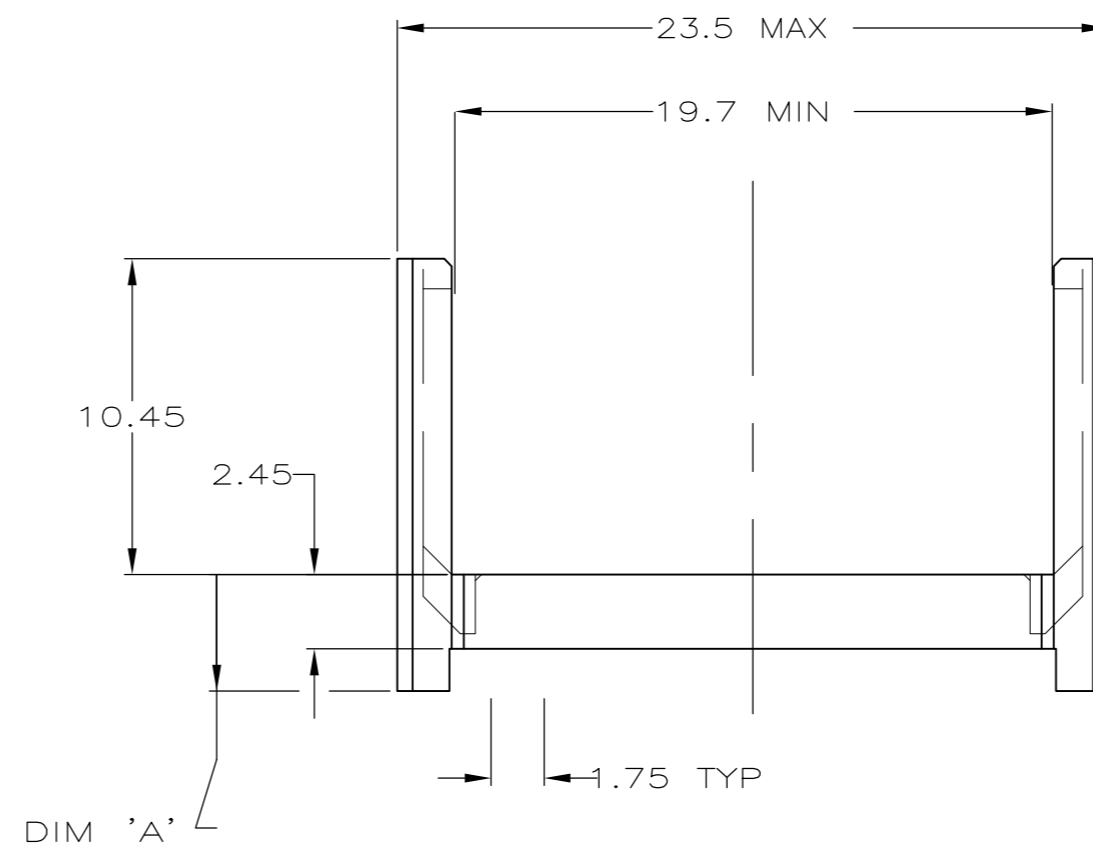
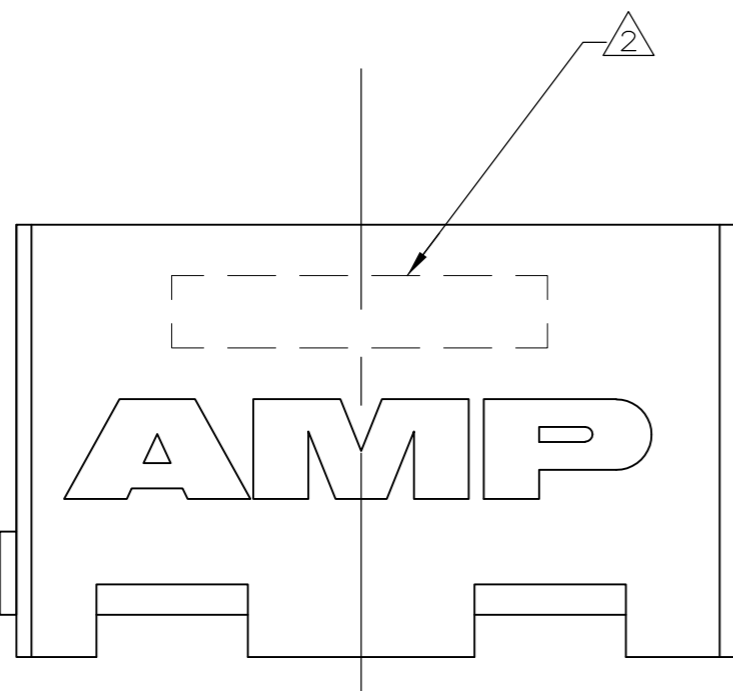


THIS DRAWING IS UNPUBLISHED. RELEASED FOR PUBLICATION
 © COPYRIGHT - By - ALL RIGHTS RESERVED.

LOC	DIST	REVISIONS			
P	LTR	DESCRIPTION	DATE	DWN	APVD
ES	47	A	INITIAL RELEASE	31MAR11	RC CW



- ⚠ MATERIAL: GLASS-FILLED POLYESTER.
- ⚠ CONNECTOR PRINTED WITH PART NUMBER AND DATE CODE, LOCATED APPROXIMATELY AS SHOWN.
- ⚠ RECOMMENDED MIDPLANE THICKNESS TO MAINTAIN STANDARD THREE-LEVEL SEQUENCING.



4.75	3.0	1645564-3
⚠ 3	DIM "A"	PART NO

THIS DRAWING IS A CONTROLLED DOCUMENT.		DWN RAYMOND CAO 31MAR11	TE TE Connectivity		
DIMENSIONS: mm		CHK SANDERS YAN 31MAR11			
TOLERANCES UNLESS OTHERWISE SPECIFIED:		APVD MANQIAN WANG 31MAR11	NAME		
0-PLC ± 1-PLC ± 2-PLC ± ±0.2 3-PLC ± 4-PLC ± ANGLES ± FINISH -		PRODUCT SPEC	MALE SHROUD HOUSING FEED-THROUGH MIDPLANE, UNLOADED 12 ROW, TYPE B, Z-PACK HM		
MATERIAL ⚠ 1		APPLICATION SPEC	SIZE A2	CAGE CODE 00779	DRAWING NO C=1645564
		WEIGHT -	RESTRICTED TO -		
		CUSTOMER DRAWING	SCALE 4:1	SHEET 1 of 1	REV A