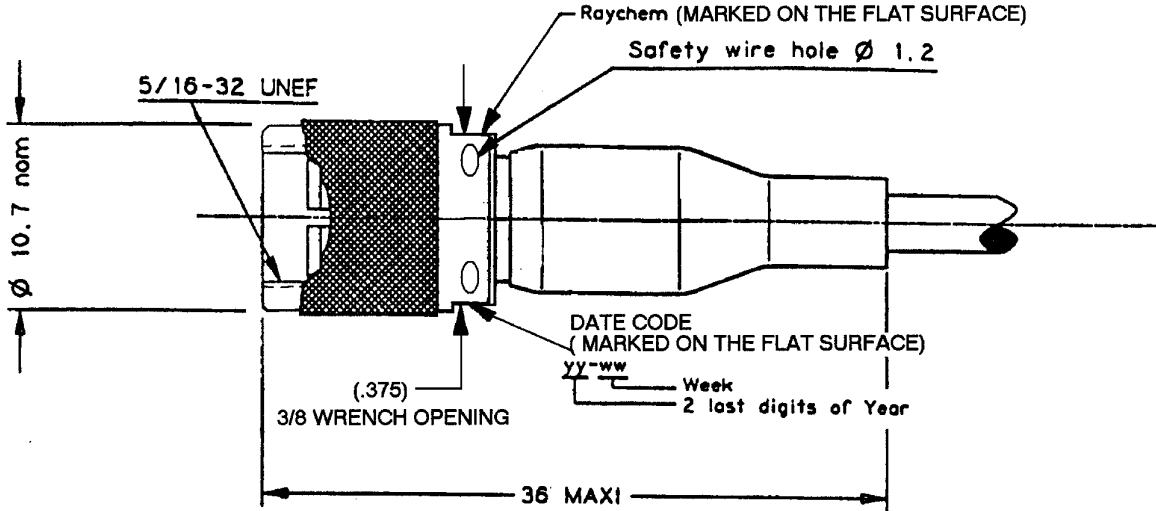
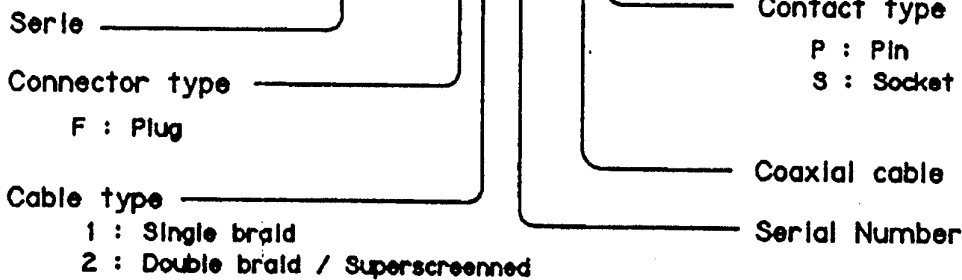


THREADED, COAXIAL CONNECTOR



PART NUMBERING SYSTEM

DK-3716-Fx21-Cy



**If this document is printed it becomes uncontrolled.
Check with the web for latest revision.**

Dimensions are in millimeters

DRAWN G. PONS Engineering	APPROVED R. DE GONTI Product Manager	REVISÉ PER DCR# T-24274 1/31/2000 REVISÉ PER DCR# T-24311 2/22/2000
APPROVED G. BRUN Development	APPROVED B. DAUVILLIERS Quality Assurance	PROJECT NUMBER CAD : T 24311 a.b.TIF

If this document is printed it becomes uncontrolled.
Check with the web for latest revision.

1 MATERIALS AND FINISHES

- 1.1 Housing Body: Brass Alloy per QQ-B-626D
Tin Plated per MIL-T-10727
Over Nickel per MIL-C-26074
- 1.2 Coupling Nut: Brass Alloy per QQ-B-626D
Tin Plated per MIL-T-10727
Over Nickel per MIL-C-26074
- 1.3 Insulation (MIP): Polyethersulfone
- 1.4 Interfacial Seal: Silicone Rubber

2 WIRE ACCOMMODATIONS

- 2.1 The connector will terminate to a coaxial cable AWG 24.
- 2.2 Termination procedure : Raychem RPIP-703-00.

3 INTERMATEABILITY

- 3.1 This connector will mate with DK-3716-Exxx-yy.

4 CONTACTS

- 4.1 This connector will accommodate the following Raychem contacts :

Part No.	Description
D-602-0152	Coaxial, Pin
D-602-0153	Coaxial, Socket

5 PERFORMANCE CAPABILITIES

- 5.1 Designed to meet Raychem Performance Specification D-6025
No qualification testing is scheduled. The user shall satisfy himself that the product is suitable for use under the conditions pertaining to his application.
- 5.2 General Characteristics
- 5.2.1 Maximum Operating Temperature : 150°C.
- 5.2.2 Current Rating : 3 amps maximum.
- 5.2.3 Insulation Resistance : 5000 megohms minimum.
- 5.2.4 High Potential, Mated, Sea Level : 900 volts at 60 Hz.
- 5.2.5 Contact Resistance, Initial : 8 milliohms maximum.
- 5.2.6 Connector Mating Coupling Torque : 1,13 m.N maximum.
- 5.2.7 Insertion Force : 1.4 kg maximum.
- 5.2.8 Withdrawal Force : 30 g maximum.
- 5.2.9 Contact Retention Terminated : 9 kg minimum.
- 5.2.10 Durability : 500 cycles.
- 5.2.11 Corrosion Resistance : 500 hours.
- 5.2.12 Weight : 12 g Max.