

PLEASE CHECK WWW.MOLEX.COM FOR LATEST PART INFORMATION

Part Number: [1051680081](#)
Status: **Active**
Overview: Camera Sockets
Description: 7.50 by 7.50mm Camera Module for Mobile Phone, SMIA Type, Through Board Mount

Documents:

[3D Model](#) [Packaging Specification PK-105168-001-000 \(PDF\)](#)
[Drawing \(PDF\)](#) [RoHS Certificate of Compliance \(PDF\)](#)
[Product Specification PS-105168-001-001 \(PDF\)](#)

General

Product Family	Other Sockets
Series	105168
Component Type	Socket
Overview	Camera Sockets
Product Name	Camera Socket
UPC	884982723443

Physical

Circuits (Loaded)	16
Circuits (maximum)	16
Color - Resin	Black
Durability (mating cycles max)	30
Entry Angle	Vertical (Top Entry)
Keying to Mating Part	None
Material - Metal	Copper Alloy
Material - Plating Mating	Gold
Material - Plating Termination	Gold
Material - Resin	High Temperature Thermoplastic
Net Weight	0.415/g
PCB Retention	None
PCB Thickness - Recommended	1.00mm
Packaging Type	Tray
Pitch - Mating Interface	0.80mm
Pitch - Termination Interface	0.80mm
Temperature Range - Operating	-55°C to +85°C
Termination Interface: Style	Surface Mount

Electrical

Current - Maximum per Contact	0.5A
Voltage - Maximum	10V

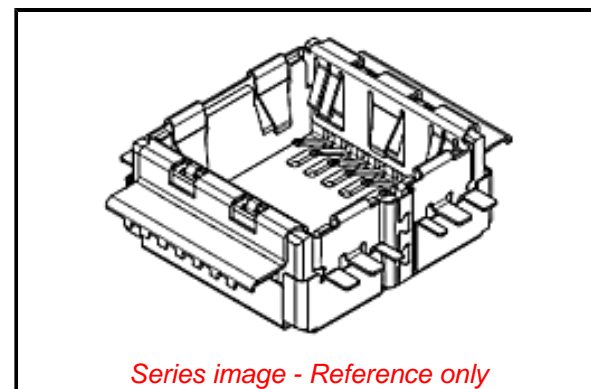
Solder Process Data

Duration at Max. Process Temperature (seconds)	003
Lead-freeProcess Capability	REFLOW
Max. Cycles at Max. Process Temperature	002
Process Temperature max. C	250

Material Info

Reference - Drawing Numbers

Packaging Specification	PK-105168-001-000
Product Specification	PS-105168-001-001
Sales Drawing	SD-105168-001-000



EU ELV

Not Relevant

EU RoHS

Compliant

REACH SVHC

Not Contained Per -
ED/30/2017 (7 July
2017)

Halogen-Free

Status

Low-Halogen

**Need more information on product
environmental compliance?**

Email productcompliance@molex.com
Please visit the [Contact Us](#) section for any
non-product compliance questions.

China ROHS	Green Image
ELV	Not Relevant
RoHS Phthalates	Not Contained

Search Parts in this Series

[105168 Series](#)

Mates With

Camera Module

PLEASE CHECK WWW.MOLEX.COM FOR LATEST PART INFORMATION