

advanced

# High Efficiency Thyristor

$$V_{\text{DRM}} = 1200 \text{ V}$$

$$I_{\text{TAV}} = 20 \text{ A}$$

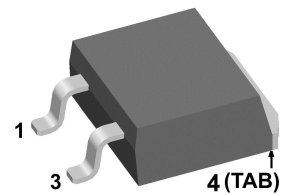
$$V_{\text{T}} = 1.4 \text{ V}$$

Triode  
 Single Reverse Conducting Thyristor

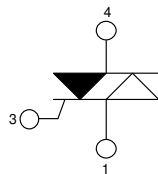
Part number

**CLA20EF1200PZ**

Marking on Product: CLA20EF1200PZ



Backside: anode



### Features / Advantages:

- Thyristor for fast turn-on switching
- Integrated free wheeling diode
- Planar passivated chip
- Long-term stability

### Applications:

- Ignition for HD lamps
- Capacity discharge

### Package: TO-263 (D2Pak-HV)

- Industry standard outline
- RoHS compliant
- Epoxy meets UL 94V-0

### Disclaimer Notice

Information furnished is believed to be accurate and reliable. However, users should independently evaluate the suitability of and test each product selected for their own applications. Littelfuse products are not designed for, and may not be used in, all applications. Read complete Disclaimer Notice at [www.littelfuse.com/disclaimer-electronics](http://www.littelfuse.com/disclaimer-electronics).

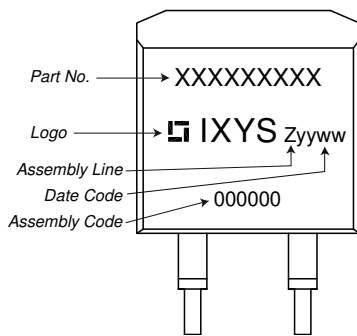


Thyristor			Ratings			
Symbol	Definition	Conditions	min.	typ.	max.	Unit
$V_{DSM}$	max. non-repetitive forward blocking voltage	$T_{VJ} = 25^{\circ}C$			1300	V
$V_{DRM}$	max. repetitive forward blocking voltage	$T_{VJ} = 25^{\circ}C$			1200	V
$I_D$	drain current	$V_D = 1200 V$	$T_{VJ} = 25^{\circ}C$		10	$\mu A$
		$V_D = 1200 V$	$T_{VJ} = 125^{\circ}C$		1	mA
$V_T$	forward voltage drop Note: reverse voltage drop $\sim 1.2 \times VT$	$I_T = 20 A$	$T_{VJ} = 25^{\circ}C$		1.40	V
		$I_T = 40 A$			1.60	V
		$I_T = 20 A$	$T_{VJ} = 125^{\circ}C$		1.40	V
		$I_T = 40 A$			1.60	V
$I_{TAV}$	average forward current	$T_C = 115^{\circ}C$ DC	$T_{VJ} = 150^{\circ}C$		20	A
$V_{T0}$	threshold voltage slope resistance } for power loss calculation only		$T_{VJ} = 150^{\circ}C$		0.90	V
$r_T$				25	m $\Omega$	
$R_{thJC}$	thermal resistance junction to case				0.65	K/W
$R_{thCH}$	thermal resistance case to heatsink			0.25		K/W
$P_{tot}$	total power dissipation		$T_C = 25^{\circ}C$		190	W
$I_{TSM}$	max. forward surge current	$t = 10 \text{ ms}; (50 \text{ Hz}), \text{ sine}$	$T_{VJ} = 45^{\circ}C$		120	A
		$t = 8,3 \text{ ms}; (60 \text{ Hz}), \text{ sine}$	$V_R = 0 V$		130	A
		$t = 10 \text{ ms}; (50 \text{ Hz}), \text{ sine}$	$T_{VJ} = 150^{\circ}C$		100	A
		$t = 8,3 \text{ ms}; (60 \text{ Hz}), \text{ sine}$	$V_R = 0 V$		110	A
$I^2t$	value for fusing	$t = 10 \text{ ms}; (50 \text{ Hz}), \text{ sine}$	$T_{VJ} = 45^{\circ}C$		72	A <sup>2</sup> s
		$t = 8,3 \text{ ms}; (60 \text{ Hz}), \text{ sine}$	$V_R = 0 V$		70	A <sup>2</sup> s
		$t = 10 \text{ ms}; (50 \text{ Hz}), \text{ sine}$	$T_{VJ} = 150^{\circ}C$		50	A <sup>2</sup> s
		$t = 8,3 \text{ ms}; (60 \text{ Hz}), \text{ sine}$	$V_R = 0 V$		50	A <sup>2</sup> s
$C_J$	junction capacitance	$V_R = 400 V \quad f = 1 \text{ MHz}$	$T_{VJ} = 25^{\circ}C$		6	pF
$P_{GM}$	max. gate power dissipation	$t_p = 30 \mu s$	$T_C = 150^{\circ}C$		10	W
		$t_p = 300 \mu s$			5	W
$P_{GAV}$	average gate power dissipation				0.5	W
$(di/dt)_{cr}$	critical rate of rise of current	$T_{VJ} = 150^{\circ}C; f = 50 \text{ Hz}$ repetitive, $I_T = 60 A$			500	A/ $\mu s$
		$t_p = 1 \mu s; di_G/dt = 0.5 \text{ A}/\mu s; I_{TSA} = 600 A$ $I_G = 0.07 A; V = \frac{2}{3} V_{DRM}$ non-repet., $I_T = 20 A$			1500	A/ $\mu s$
$(dv/dt)_{cr}$	critical rate of rise of voltage	$V = \frac{2}{3} V_{DRM}$ $R_{GK} = \infty$ ; method 1 (linear voltage rise)	$T_{VJ} = 150^{\circ}C$		500	V/ $\mu s$
$V_{GT}$	gate trigger voltage	$V_D = 6 V$	$T_{VJ} = 25^{\circ}C$		1.3	V
			$T_{VJ} = -40^{\circ}C$		1.6	V
$I_{GT}$	gate trigger current	$V_D = 6 V$	$T_{VJ} = 25^{\circ}C$		20	mA
			$T_{VJ} = -40^{\circ}C$		35	mA
$V_{GD}$	gate non-trigger voltage	$V_D = \frac{2}{3} V_{DRM}$	$T_{VJ} = 150^{\circ}C$		0.2	V
$I_{GD}$	gate non-trigger current				1	mA
$I_L$	latching current	$t_p = 10 \mu s$	$T_{VJ} = 25^{\circ}C$		30	mA
		$I_G = 0.07 A; di_G/dt = 0.5 \text{ A}/\mu s$				
$I_H$	holding current	$V_D = 6 V \quad R_{GK} = \infty$	$T_{VJ} = 25^{\circ}C$		25	mA
$t_{gd}$	gate controlled delay time	$V_D = \frac{1}{2} V_{DRM}$ $I_G = 0.07 A; di_G/dt = 0.5 \text{ A}/\mu s$	$T_{VJ} = 25^{\circ}C$		2	$\mu s$
$t_q$	turn-off time	$V_R = 0 V; I_T = 20 A; V = \frac{2}{3} V_{DRM}$ $di/dt = 10 \text{ A}/\mu s \quad dv/dt = 20 \text{ V}/\mu s \quad t_p = 200 \mu s$	$T_{VJ} = 125^{\circ}C$		150	$\mu s$



Package TO-263 (D2Pak-HV)			Ratings			
Symbol	Definition	Conditions	min.	typ.	max.	Unit
$I_{RMS}$	RMS current	per terminal			35	A
$T_{VJ}$	virtual junction temperature		-40		150	°C
$T_{op}$	operation temperature		-40		125	°C
$T_{stg}$	storage temperature		-40		150	°C
<b>Weight</b>				1.5		g
$F_C$	mounting force with clip		20		60	N
$d_{Spp/App}$	creepage distance on surface / striking distance through air	terminal to terminal	4.2			mm
$d_{Spb/Apb}$		terminal to backside	4.7			mm

**Product Marking**



**Part description**

- C = Thyristor (SCR)
- L = High Efficiency Thyristor
- A = (up to 1200V)
- 20 = Current Rating [A]
- EF = Single Reverse Conducting Thyristor
- 1200 = Reverse Voltage [V]
- PZ = TO-263AB (D2Pak) (2HV)

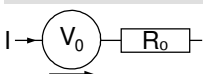
Ordering	Ordering Number	Marking on Product	Delivery Mode	Quantity	Code No.
Standard	CLA20EF1200PZ-TRL	CLA20EF1200PZ	Tape & Reel	800	522555
Alternative	CLA20EF1200PZ-TUB	CLA20EF1200PZ	Tube	50	523762

Similar Part	Package	Voltage class
CLA20EF1200PB	TO-220AB (3)	1200

**Equivalent Circuits for Simulation**

\* on die level

$T_{VJ} = 150\text{ °C}$

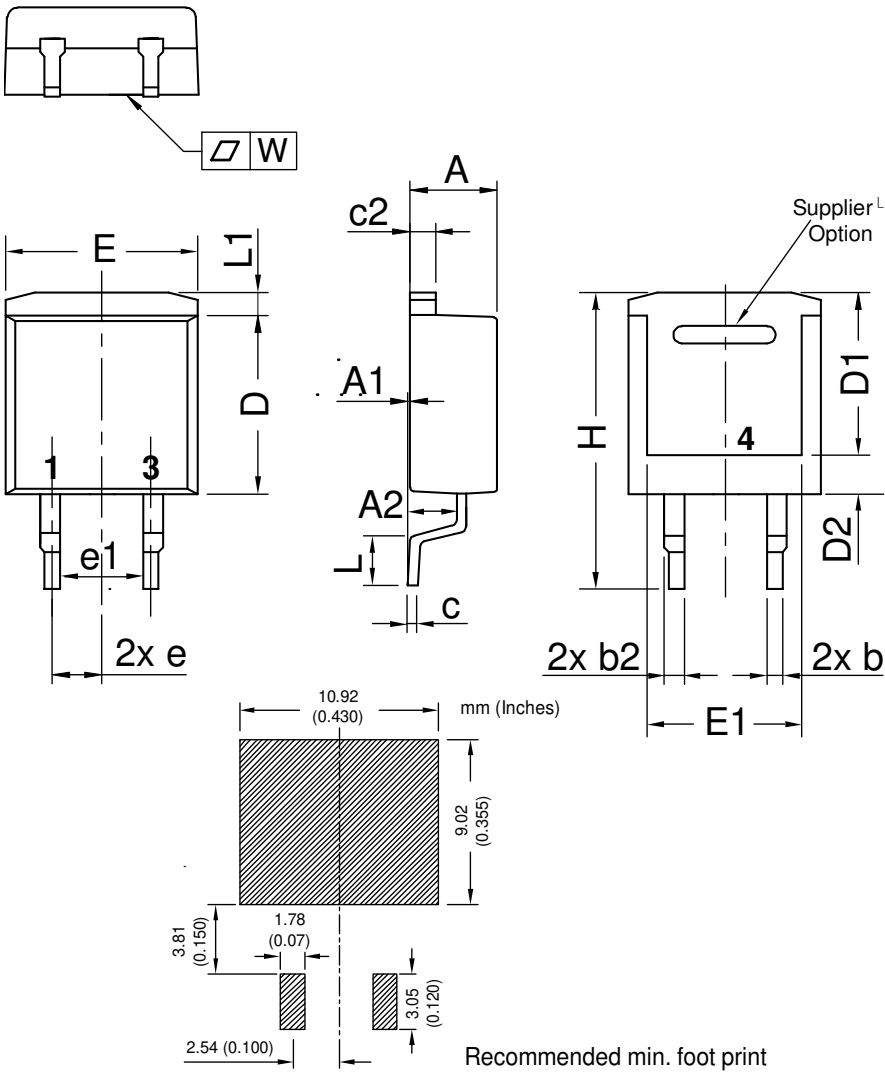


**Thyristor**

$V_{0\ max}$	threshold voltage	0.9	V
$R_{0\ max}$	slope resistance *	22	mΩ

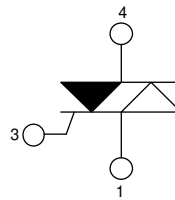


Outlines TO-263 (D2Pak-HV)



Dim.	Millimeter		Inches	
	min	max	min	max
A	4.06	4.83	0.160	0.190
A1	typ. 0.10		typ. 0.004	
A2	2.41		0.095	
b	0.51	0.99	0.020	0.039
b2	1.14	1.40	0.045	0.055
c	0.40	0.74	0.016	0.029
c2	1.14	1.40	0.045	0.055
D	8.38	9.40	0.330	0.370
D1	8.00	8.89	0.315	0.350
D2	2.3		0.091	
E	9.65	10.41	0.380	0.410
E1	6.22	8.50	0.245	0.335
e	2,54 BSC		0,100 BSC	
e1	4.28		0.169	
H	14.61	15.88	0.575	0.625
L	1.78	2.79	0.070	0.110
L1	1.02	1.68	0.040	0.066
W	typ. 0.02	0.040	typ. 0.0008	0.002

All dimensions conform with and/or within JEDEC standard.





**Thyristor**