

.060 (1.50) Shrouded Tip Plug

SPECIFICATIONS

Contact and Nut: Brass per QQ-B-626D

Finish: Gold or silver

Body: Nylon 6/6 per ASTM D4066

Hardware: Nickel plated nut (unassembled)

Body Thread Stripping Torque: 6 in. lb. (7 kg.cm.)

Panel Thickness: Up to .343 (8.80)

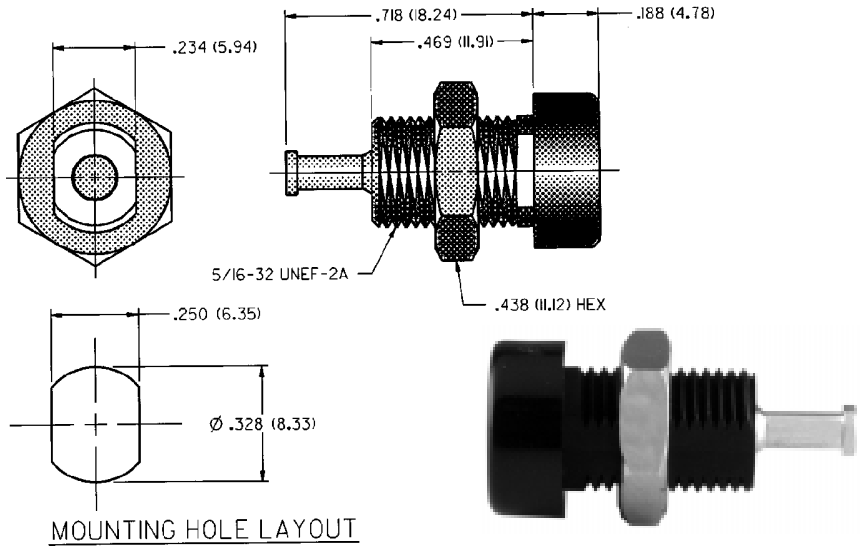
RATINGS

Current: 7 amps

Breakdown Voltage: 3500 Vrms minimum

Contact Resistance: 0.010 ohms maximum

INCHES (MILLIMETERS)
CUSTOMER DRAWINGS AVAILABLE UPON REQUEST



GOLD PLATING	
PART NO.	COLOR
105-1303-002	Black

For Standard Tip Jack: .060 (1.50) Diameter

FEATURES:

- Keyed mounting with double flats
- Shrouded
- Nylon UL approved for self extinguishing

MOUNTING HOLE LAYOUT