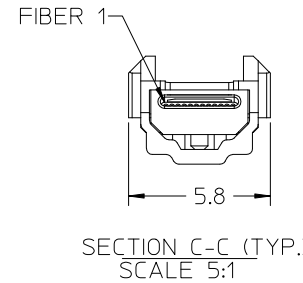
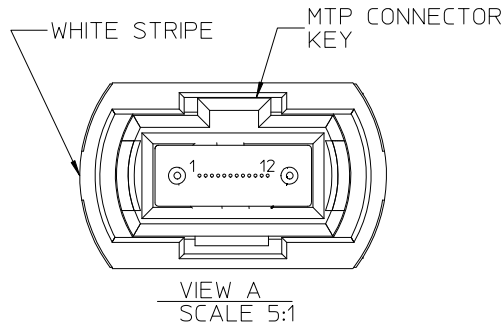
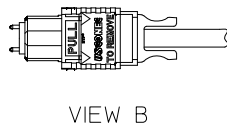
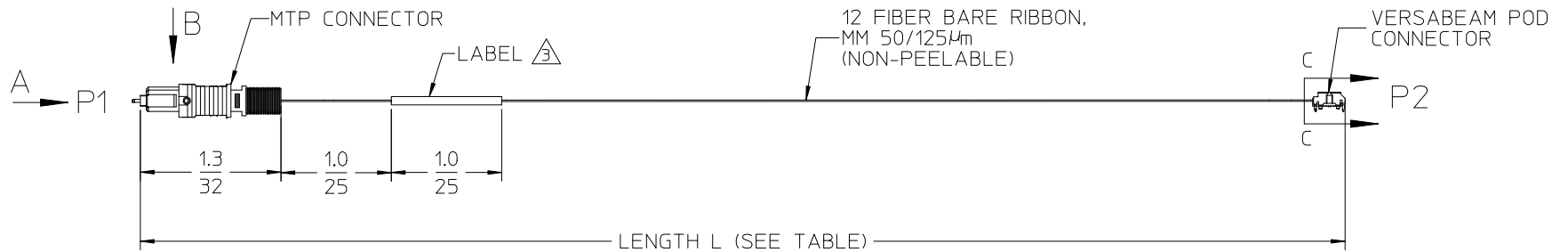


JUMPER P/N	LENGTH L m [in]	MTP CONN. TYPE
106267-2001	0.5 +0.1/-0 [19.69 +4.0/-0]	FEMALE
106267-2002	1.0 +0.2/-0 [39.4 +8.0/-0]	
106267-2011	0.5 +0.1/-0 [19.69 +4.0/-0]	MALE
106267-2012	1.0 +0.2/-0 [39.4 +8.0/-0]	
106267-2013	0.2 +0.05/-0 [8.0 +2.0/-0]	

CONNECTIONS	
P1-1 THRU P1-12	P2-1 THRU P2-12



- NOTES:
- DUST CAPS ARE NOT SHOWN BUT INCLUDED. MTP MALE CONNECTOR IS SHOWN. FEMALE CONNECTOR DOES NOT CONTAIN PINS.
 - INSERTION LOSS @ 850nm TO AN INTERPOSER: 2.0 dB. THROUGHPUT LOSS (MTP+VERSABEAM POD): 1.2dB. TEST DATA IS SENT WITH JUMPER.
 - LABEL IS PRINTED WITH MOLEX NAME, PART NUMBER AND SERIAL NUMBER.

ENTER DESCRIPTION EC NO: MF2012-0408 DR: MANKPEVNER 2012/02/22 CHKD: LGUMIN 2012/02/23 APPR: LGUMIN 2012/02/23	QUALITY SYMBOLS ▽=0 ▽=0	GENERAL TOLERANCES (UNLESS SPECIFIED) mm INCH 4 PLACES ±--- ±--- 3 PLACES ±--- ±--- 2 PLACES ±--- ±--- 1 PLACE ±--- ±--- ANGULAR ±1/2°	DIMENSION STYLE IN/MM DRAWN BY: EEFUNG DATE: 2010/08/09 CHECKED BY: DATE:	SCALE: 1:1 DESIGN UNITS: INCH THIRD ANGLE PROJECTION
	DRAFT WHERE APPLICABLE MUST REMAIN WITHIN DIMENSIONS		APPROVED BY: BANDREI DATE: 2010/08/27 MATERIAL NO.	TITLE: MTP12 TO VERSABEAM POD JUMPER, MM 50/125UM MOLEX INCORPORATED DOCUMENT NO. SD-106267-2001
			SEE TABLE	SHEET NO. 1 OF 1
	THIS DRAWING CONTAINS INFORMATION THAT IS PROPRIETARY TO MOLEX INCORPORATED AND SHOULD NOT BE USED WITHOUT WRITTEN PERMISSION			