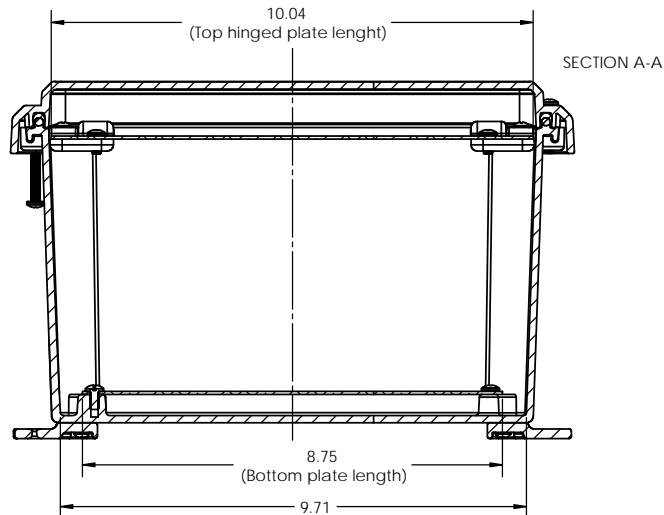
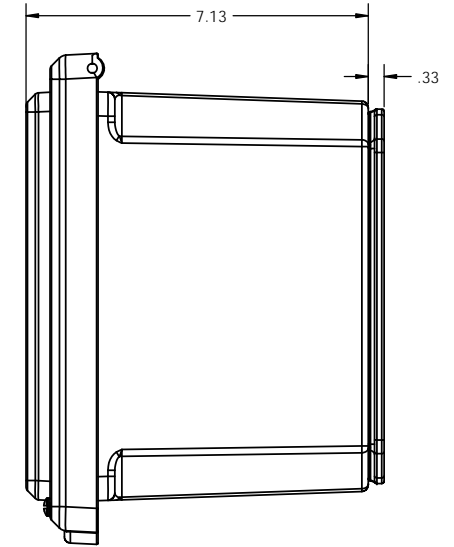
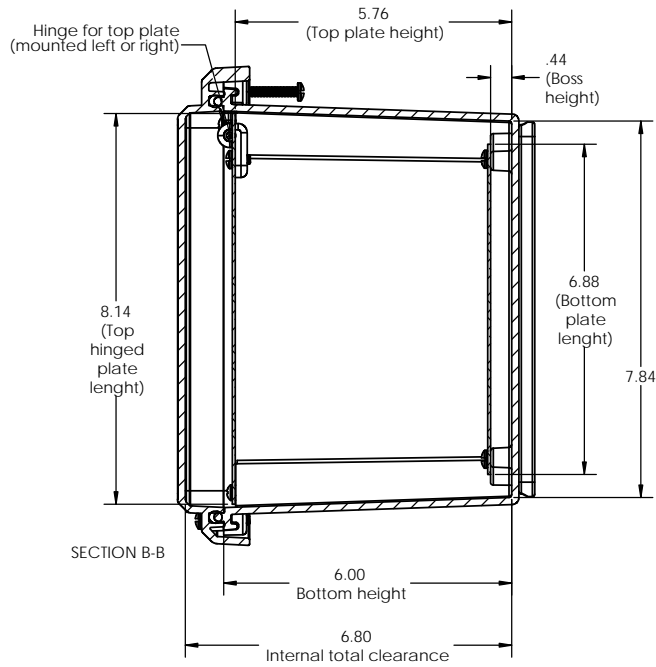
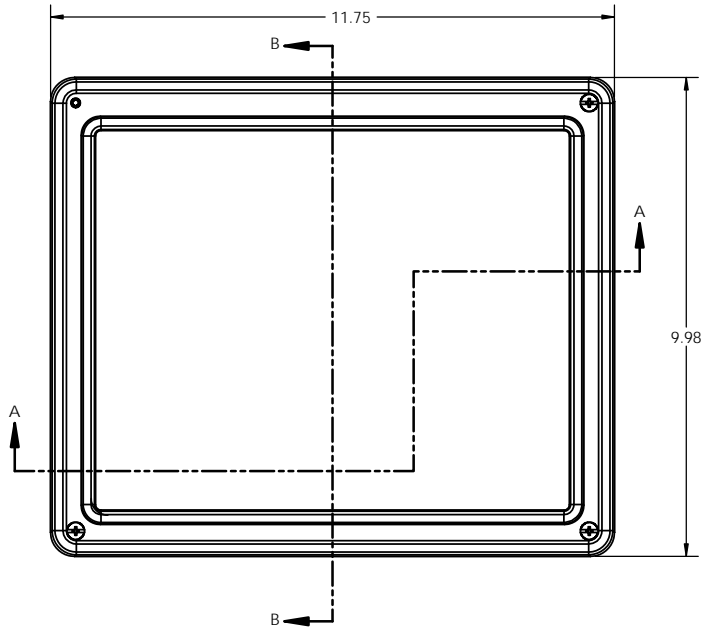
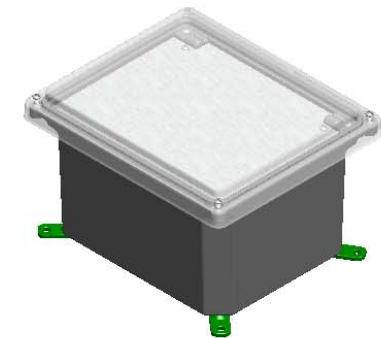
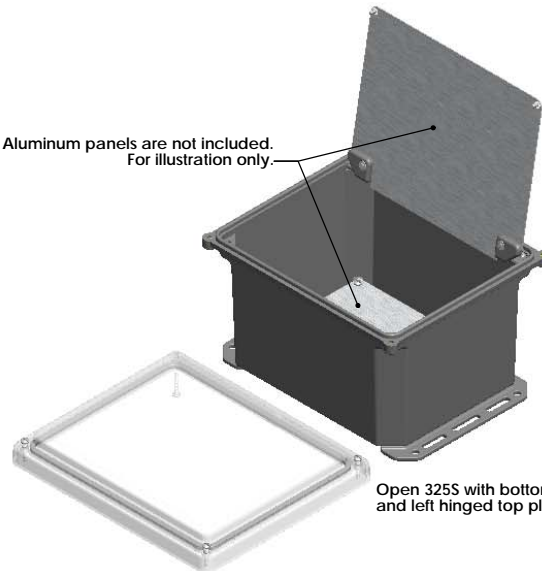


# SERPAC I352S

Electronic Enclosures



Aluminum panels are not included.  
For illustration only.



-Material: UV stabilized Polycarbonate  
Flammability UL 94 V-2  
-Watertight enclosure meets or exceeds Nema 4 and or IP67.

#### PARTS INCLUDED

P/N	Qty.	Description
352S	1	352 S Top
350SB	1	350 S Bottom
8350	1	350 Perimeter O-ring
1305	2	350 Flange
1306	4	350 Feet
1307	2	350 Panel hinge pin
1308	1	350 Panel hinge A
1309	1	350 Panel hinge B
6028	4	SS #10 X 5/8" Pan H/L

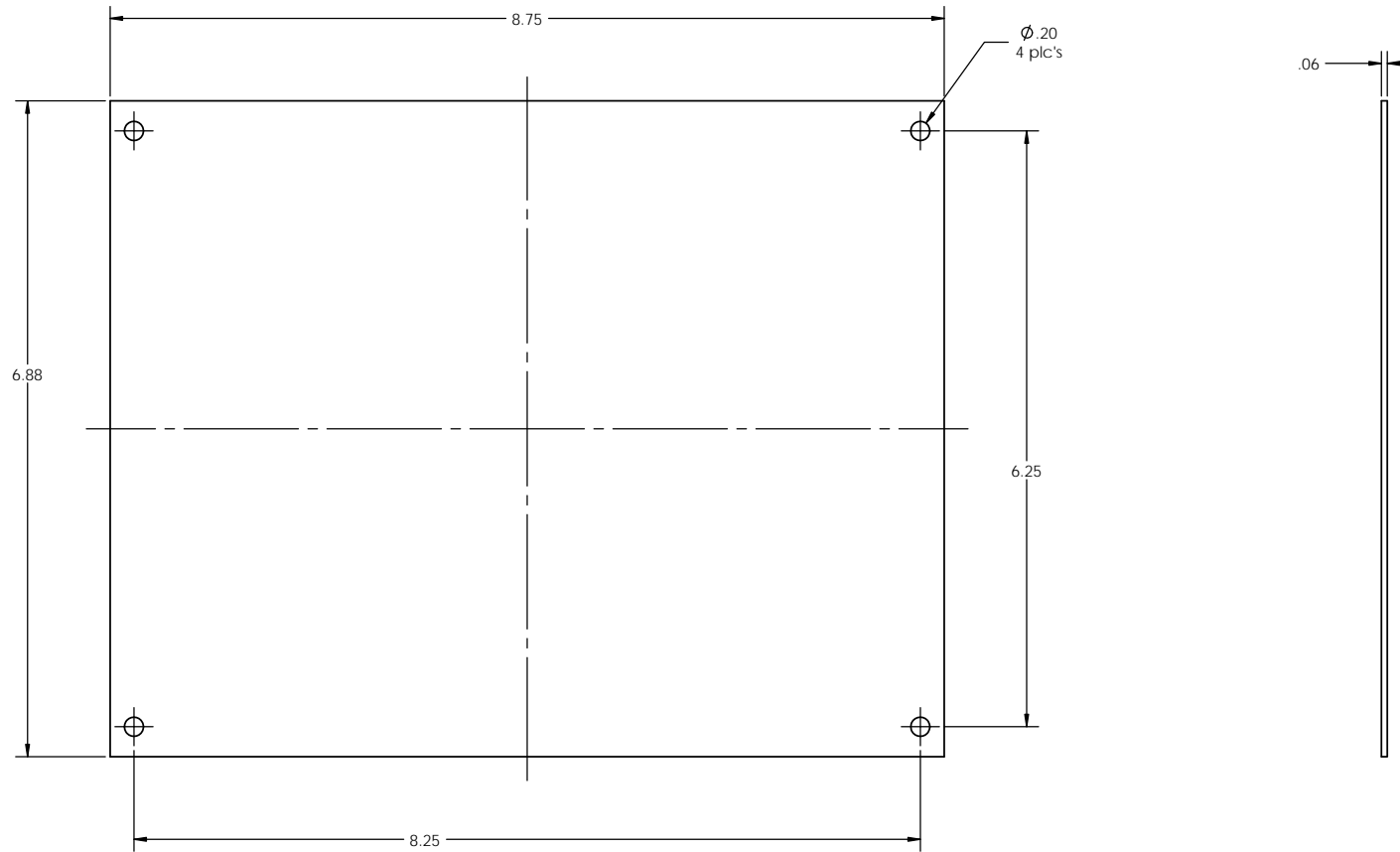
ALL DIMENSIONS ARE ± .010"

5/24/13

2009 Wright Ave. La Verne, CA 91750  
Ph. (626) 331-0517 Fx. (626) 331-8584 serpac.com

# 7200B Panel Kit

## Bottom panel for 352HL, 352HS and 352S



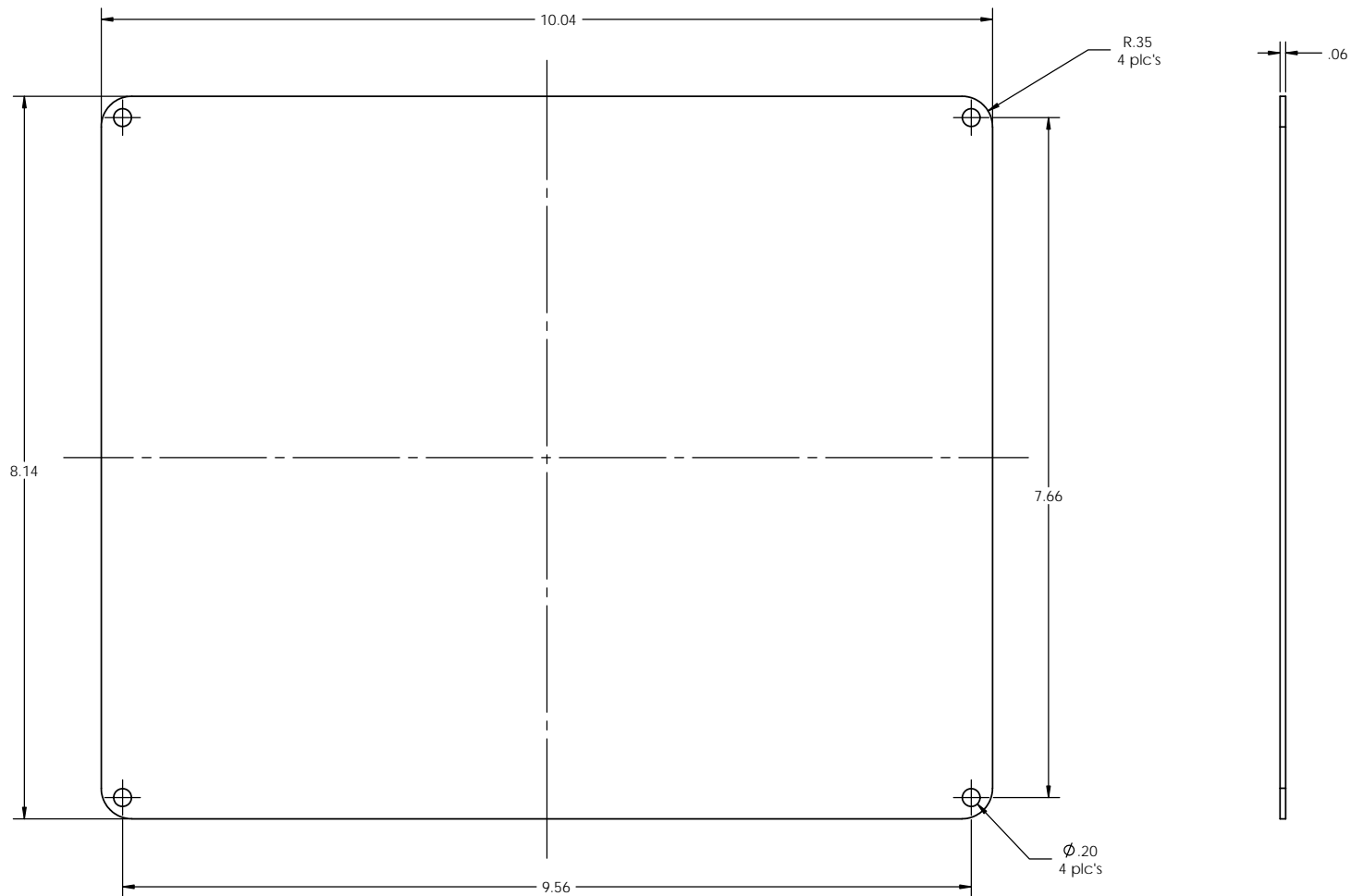
PARTS INCLUDED		
P/N	Qty.	Description
72000	1	Bottom aluminum panel
6029	4	SS #10 X 3/8" Pan HL Screw

ALL DIMENSIONS ARE ± .010"

5/4/11

# 7200T Panel kit

## Top panel for 352HL, 352HS and 352S



PARTS INCLUDED		
P/N	Qty.	Description
72040	1	Hinged top aluminum panel
6029	4	SS #10 X 3/8" Pan HL Screw

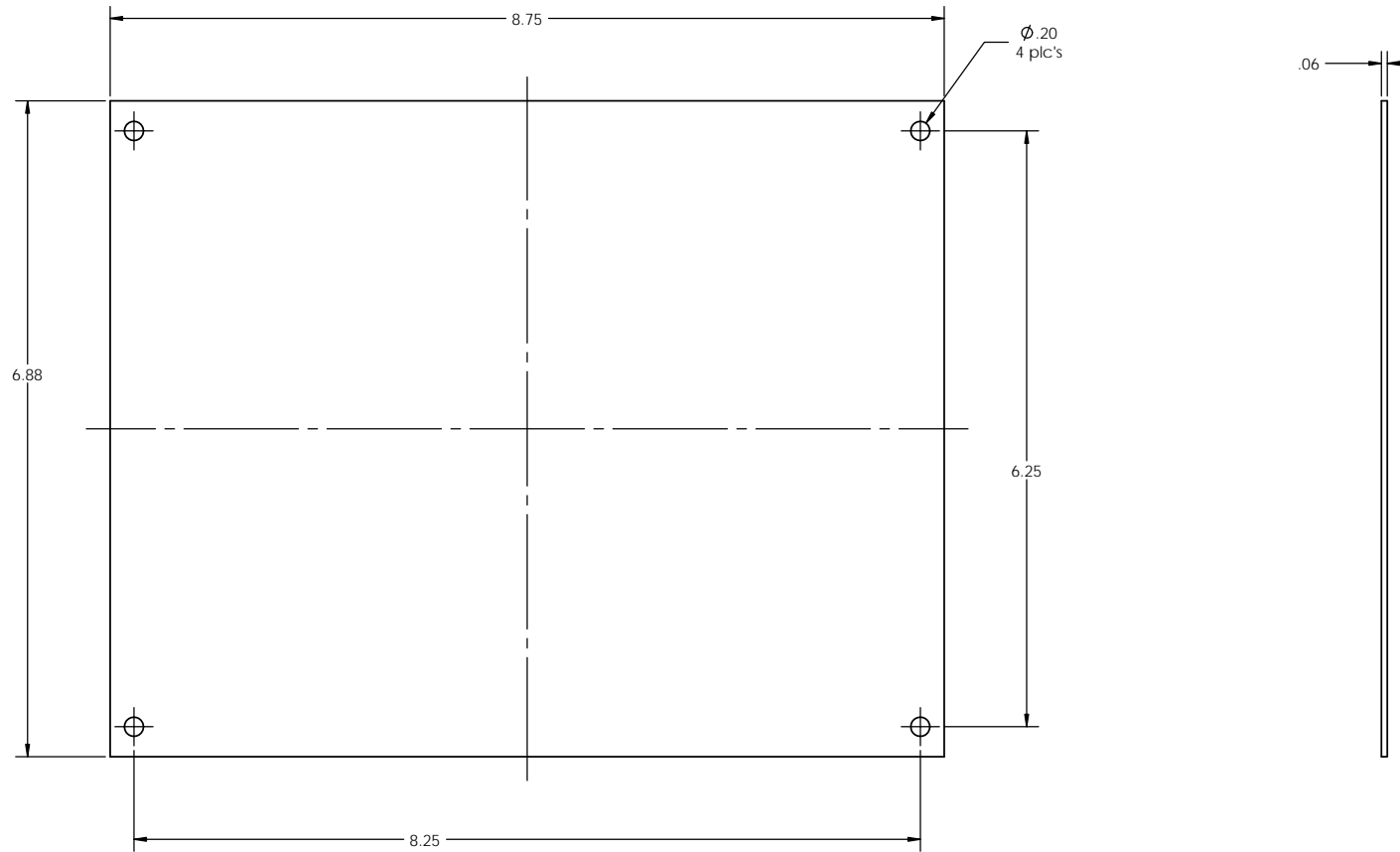
ALL DIMENSIONS ARE  $\pm .010"$

5/4/11

2009 Wright Ave. La Verne, CA 91750  
Ph. (626) 331-0517 Fx. (626) 331-8584 serpac.com

# 7200B Panel Kit

## Bottom panel for 352HL, 352HS and 352S



PARTS INCLUDED		
P/N	Qty.	Description
72000	1	Bottom aluminum panel
6029	4	SS #10 X 3/8" Pan HL Screw

ALL DIMENSIONS ARE  $\pm .010"$

5/4/11

2009 Wright Ave. La Verne, CA 91750  
Ph. (626) 331-0517 Fx. (626) 331-8584 serpac.com