

Distributor - SAC-ASI-J-Y-B-M12FS - 1405621


Please be informed that the data shown in this PDF Document is generated from our Online Catalog. Please find the complete data in the user's documentation. Our General Terms of Use for Downloads are valid (<http://phoenixcontact.com/download>)



AS-Interface distributor with a high degree of protection, for a branch from two flat-ribbon conductors to one straight, A-coded, 4-pos. M12 socket



Key Commercial Data

Packing unit	1 STK
GTIN	 4 046356 754941
Weight per Piece (excluding packing)	45.1 g
Weight per piece (including packing)	45.1 g
Country of origin	Vietnam

Technical data

Mechanical characteristics

Number of positions	4
Connection method	AS-i penetration technique
Color	black
Tightening torque, min.	1.65 Nm

Ambient conditions

Ambient temperature (operation)	-25 °C ... 75 °C (Plug / socket)
Ambient temperature (storage/transport)	-25 °C ... 85 °C
Degree of protection	IP65
	IP67

Material data

Housing material	PBT
Contact material	CuSn
Contact surface material	Au

Electrical characteristics

Rated voltage (III/3)	≤ 32 V
-----------------------	--------

Distributor - SAC-ASI-J-Y-B-M12FS - 1405621

Technical data

Electrical characteristics

Rated current	≤ 4 A
---------------	-------

Pin assignment

Position = wire color (signal) = position (optional)	1 (M12 socket) AS-i+ 3.1 (AS-i distributors)
	2 (M12 socket) AUX- 4.2 (AS-i distributors)
	3 (M12 socket) AS-i- 3.2 (AS-i distributors)
	4 (M12 socket) AUX+ 4.1 (AS-i distributors)
	5 (M12 socket) N.C.

Classifications

eCl@ss

eCl@ss 4.0	24190219
eCl@ss 4.1	24190219
eCl@ss 5.0	27400209
eCl@ss 5.1	27061801
eCl@ss 6.0	27400209
eCl@ss 7.0	27440304
eCl@ss 8.0	27279219
eCl@ss 9.0	27440108

ETIM

ETIM 3.0	EC000516
ETIM 4.0	EC002585
ETIM 5.0	EC002585

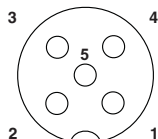
UNSPSC

UNSPSC 6.01	31261501
UNSPSC 7.0901	31261501
UNSPSC 11	31261501
UNSPSC 12.01	31261501
UNSPSC 13.2	31261501

Drawings

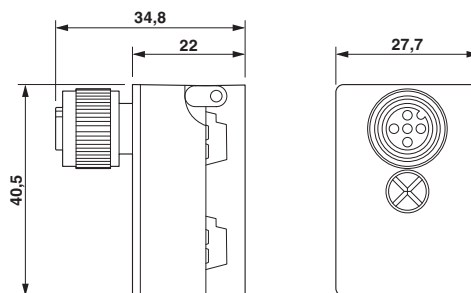
Distributor - SAC-ASI-J-Y-B-M12FS - 1405621

Schematic diagram



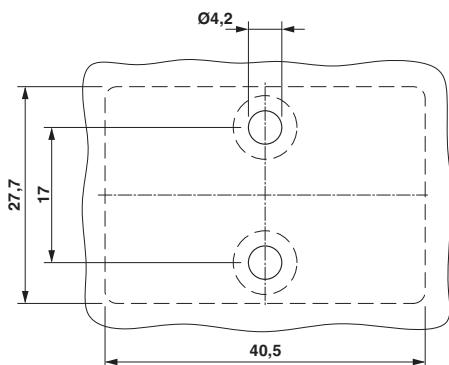
Pin assignment M12, PIN 1: AS-i +, PIN 2: AUX -, PIN 3: AS-i -, PIN 4: AUX +, PIN 5: Not used

Dimensional drawing

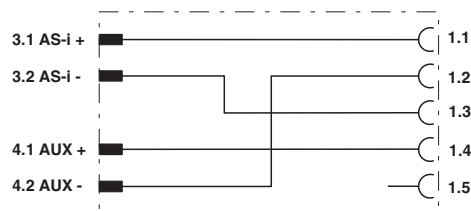


Distributor, AS-Interface

Dimensional drawing



Circuit diagram



Contact assignment of the AS-Interface distributor

Distance and position of the mounting holes

Phoenix Contact 2016 © - all rights reserved
<http://www.phoenixcontact.com>

PHOENIX CONTACT GmbH & Co. KG
Flachsmarktstr. 8
32825 Blomberg
Germany
Tel. +49 5235 300
Fax +49 5235 3 41200
<http://www.phoenixcontact.com>