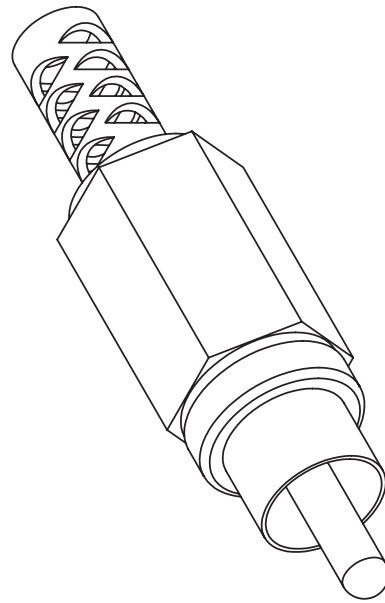
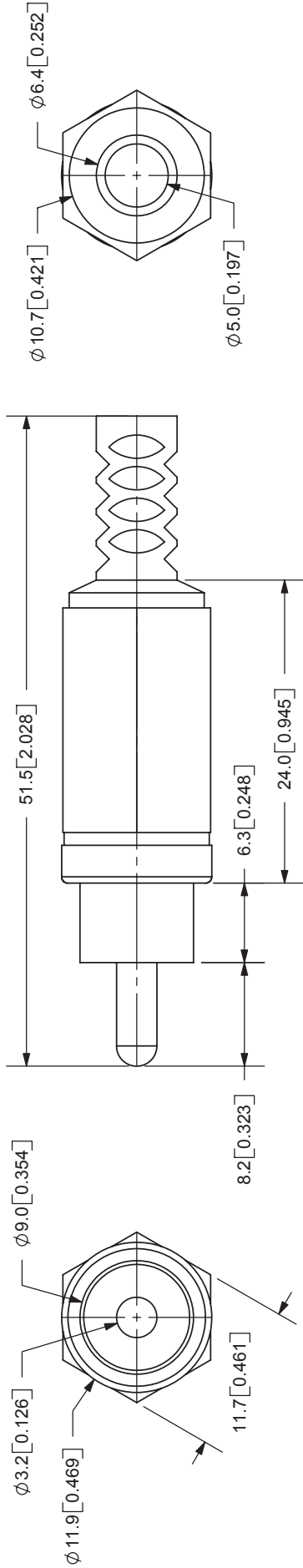


| | | |
|------|-------------|-----------|
| REV. | DESCRIPTION | DATE |
| A | NEW DRAWING | 5/16/2006 |



TOLERANCE:
±0.3mm UNLESS OTHERWISE
SPECIFIED



9615 SW Allen Blvd., Ste. 103
Beaverton, OR 97005
Phone: 503-643-4899
800-275-4899
Fax: 503-372-1266
Website: www.cui.com

| COLOR INDEX | |
|-------------|--------|
| PART NO. | COLOR |
| RCP-021 | Black |
| RCP-022 | Red |
| RCP-023 | White |
| RCP-024 | Yellow |
| RCP-025 | Blue |
| RCP-026 | Green |
| RCP-027 | Orange |

SPECIFICATIONS:
CONTACT RESISTANCE: 30m OHMS MAX
INSULATION RESISTANCE: 100M OHMS MIN: 500V DC
VOLTAGE WITHSTAND: 500V AC R.M.S. FOR 1 MINUTE
LIFE: 5,000 CYCLES
OPERATING TEMP: -20° ~ +85°C

| | | | |
|-----------|-----------------------------------|--------------|-------------|
| TITLE: | RCA PLUG, MODULAR, PLASTIC HANDLE | REV: | A |
| PART NO: | RCP-02X | UNITS: | MM [INCHES] |
| DRAWN BY: | ZRJ | APPROVED BY: | |
| | | SCALE: | 2:1 |

| BARRELS | MATERIAL | PLATING |
|---------------|----------|-----------------|
| | Brass | Nickel |
| PLASTIC COVER | ABS | see color index |
| COVER | PE | see color index |

PC FILE NAME: RCP-02X
COPYRIGHT 2006 BY CUI INC.