

G2-ROSE-UV-SS

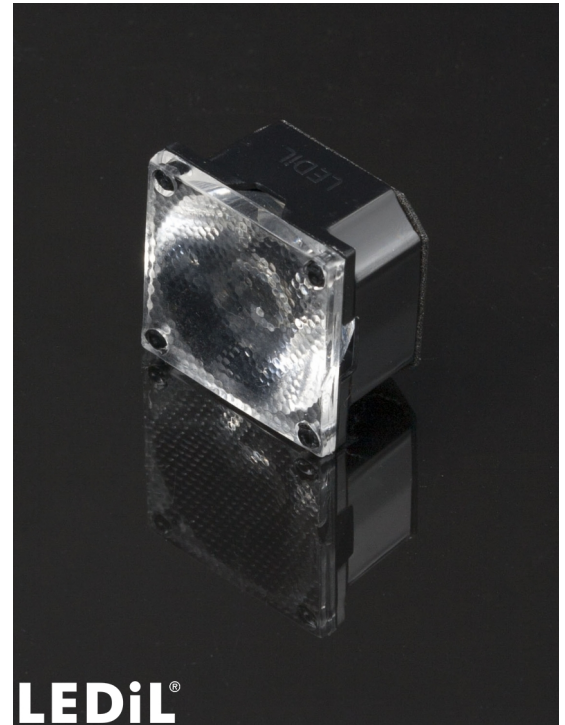
~14° smooth spot beam. Assembly with black holder and installation tape.

TECHNICAL SPECIFICATIONS:

Dimensions	21.6 mm
Height	12.9 mm
Fastening	tape, pin
ROHS compliant	yes ⓘ

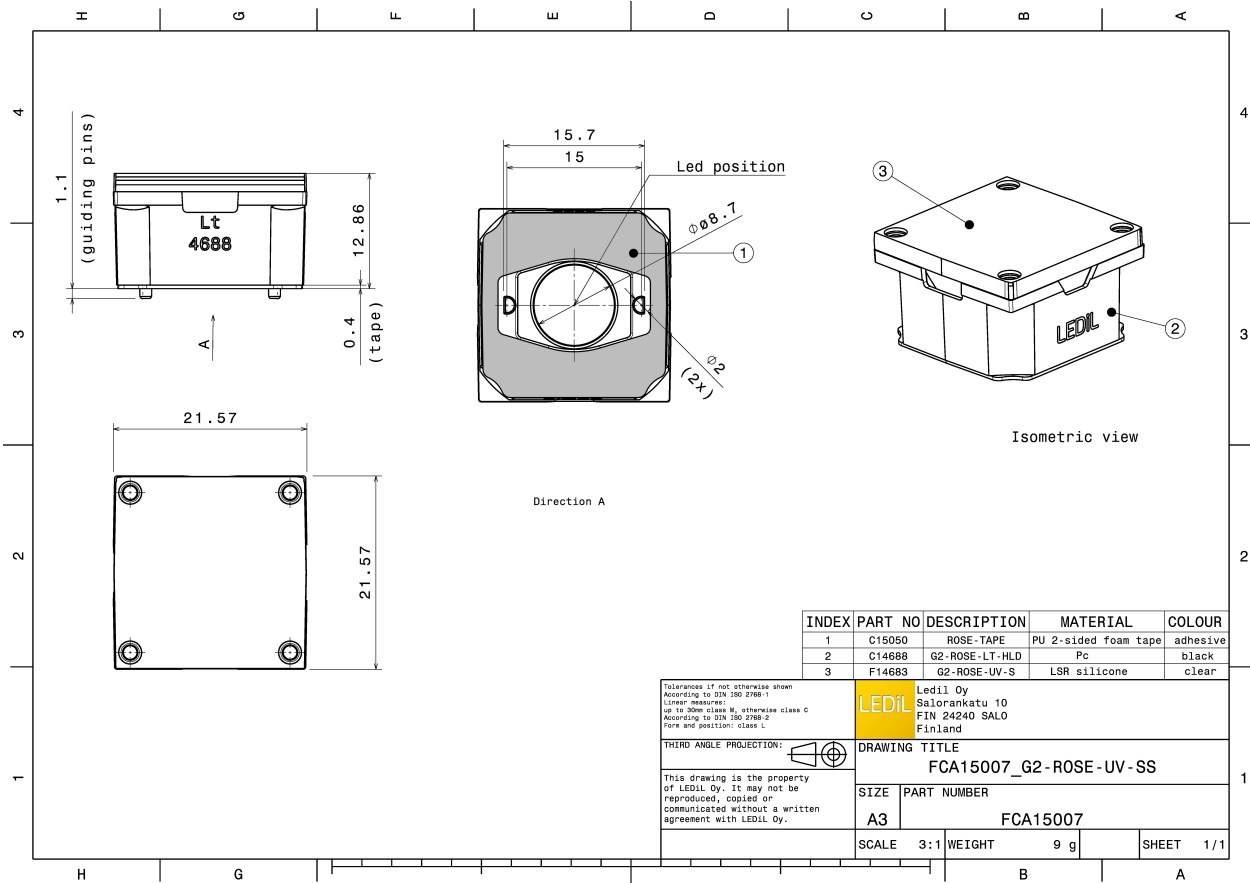
MATERIAL SPECIFICATIONS:

Component	Type	Material	Colour	Finish
G2-ROSE-UV-SS	Single lens	Silicone	clear	
G2-ROSE-LT-HLD	Holder	PC	black	
ROSE-TAPE	Tape	PU tape	black	



ORDERING INFORMATION:

Component		Qty in box	MOQ	MPQ	Box weight (kg)
FCA15007_G2-ROSE-UV-SS	Single lens	1620	360	180	6.3
» Box size: 476 x 273 x 197 mm					



PHOTOMETRIC DATA (MEASURED):

LED ENGIN

LED LZ1-00UV00
FWHM 12.0°
Efficiency %
LEDs/each optic 1
Light colour UV
Required components:

LED ENGIN

LED LZ4-04UV00
FWHM 15.0°
Efficiency %
LEDs/each optic 1
Light colour UV
Required components:

LUMINUS

LED SST-10-B130
FWHM 10.0°
Efficiency %
LEDs/each optic 1
Light colour UV
Required components:

NICHIA

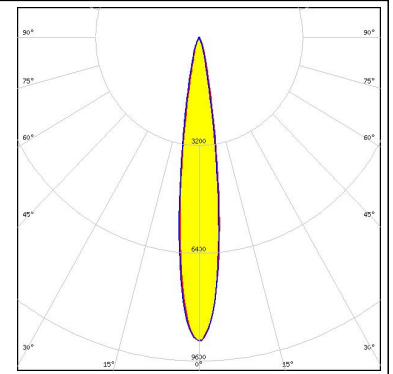
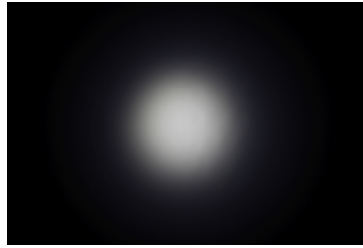
LED NVSU233A
FWHM 14.0°
Efficiency %
LEDs/each optic 1
Light colour UV
Required components:



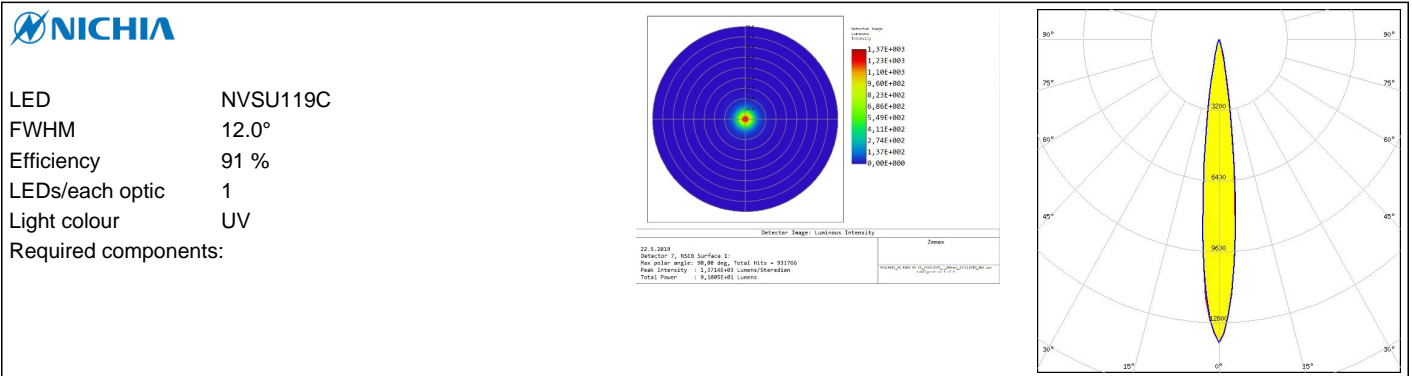
PHOTOMETRIC DATA (MEASURED):



LED NVSW319B
FWHM 15.0°
Efficiency 90 %
Peak intensity 9 cd/lm
LEDs/each optic 1
Light colour UV
Required components:



PHOTOMETRIC DATA (SIMULATED):



GENERAL INFORMATION:

NOTE: The typical beam angle will be changed by different color, chip size and chip position tolerance. The typical total beam angle is the full angle measured where the luminous intensity is half of the peak value.

MATERIALS:

As part of our continuous research and improvement processes, and to ensure the best possible quality and availability of our products, LEDiL reserves the right to change material grades without notice.

PRODUCT DATA USER AGREEMENT AND DISCLAIMER:

The measured data in the provided downloadable LEDiL Product Datasheets and Mechanical 2D-Drawings is rounded and provided as reference for planning. LEDiL Oy's optical specifications have been verified by conducting performance testing of the products in accordance with the company's quality system. The reported data are averaged results of multiple measurements with typical variation. LEDiL Oy reserves the right to without prior notification make changes and improvements to its products.

LEDiL Oy assumes neither warranty, nor guarantee nor any other liability of any kind for the contents and correctness of the provided data. The provided data has been generated with highest diligence but the provided data may in reality not represent the complete possible variation range of all intrinsic parameters. Therefore, in certain cases a deviation from the provided data could occur.

LEDiL Oy reserves the right to undertake technical changes of its products without further notification which could lead to changes in the provided data. LEDiL Oy assumes no liability of any kind for the possible deviation from any provided data or any other damage resulting from the usage of the provided data.

The user agrees to this disclaimer and user agreement with the download or usage of the provided files.

LEDiL Oy

Joensuunkatu 13
FI-24240 SALO
Finland

LEDiL Inc.

228 West Page Street
Suite D
Sycamore IL 60178
USA

Local sales and technical support

[www.ledil.com/
where_to_buy](http://www.ledil.com/where_to_buy)

Shipping locations

Salo, Finland
Hong Kong, China

Distribution Partners

[www.ledil.com/
where_to_buy](http://www.ledil.com/where_to_buy)