

RER 160-28/06S

AC centrifugal compact fan

single inlet



ebm-papst St. Georgen GmbH & Co. KG

Hermann-Papst-Str. 1
D-78112 St. Georgen
Phone +49 7724 81-0
Fax +49 7724 81-1309
info2@de.ebmpapst.com
www.ebmpapst.com

Nominal data

Type	RER 160-28/06S	
Phase		1~
Nominal voltage	VAC	115
Frequency	Hz	60
Speed	min ⁻¹	3250
Power input	W	46.0
Min. ambient temperature	°C	-30
Max. ambient temperature	°C	70
Air flow	m ³ /h	274
Sound power level	B	6.8

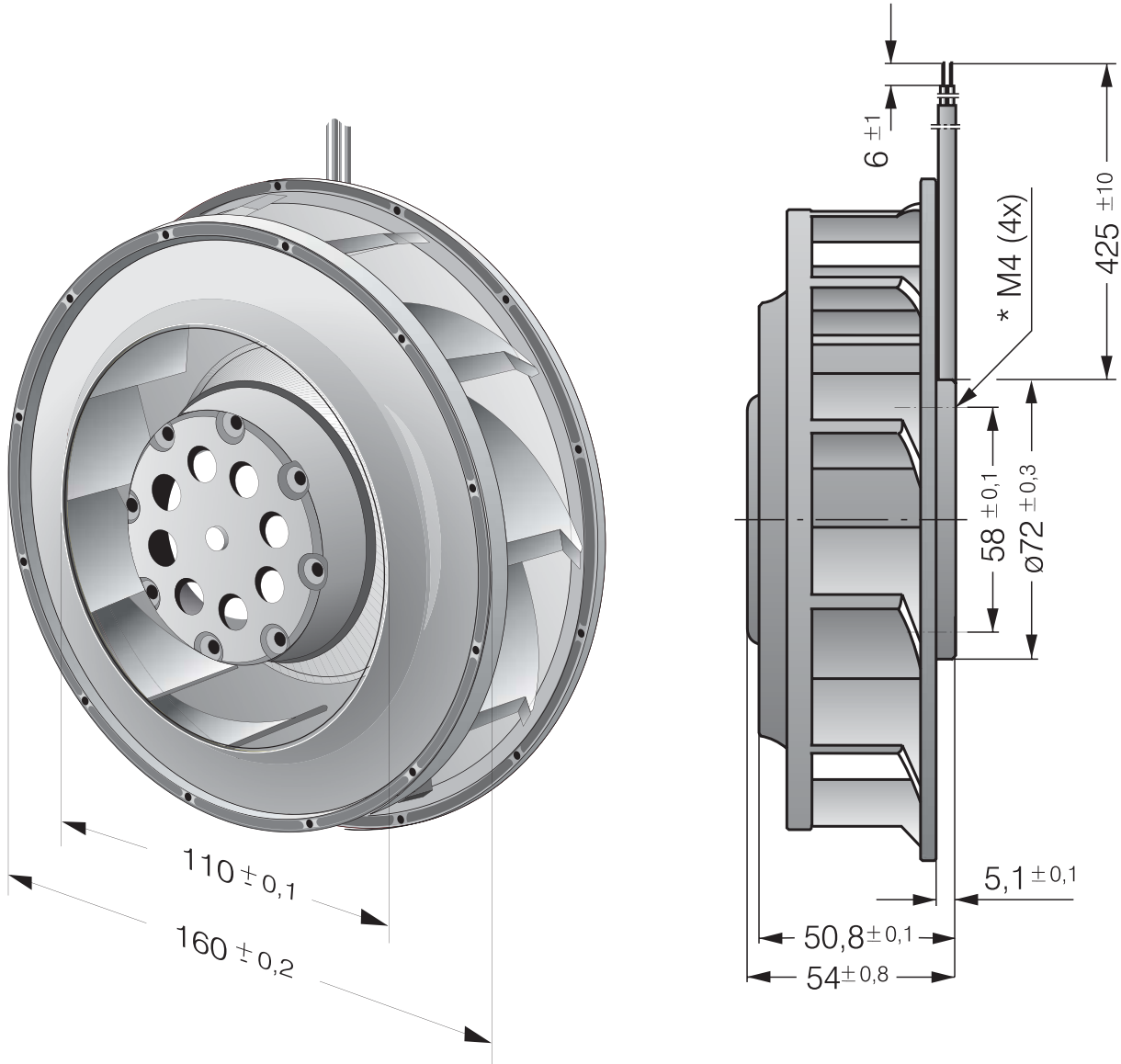
ml = max. load · me = max. efficiency · fa = running at free air · cs = customer specs · cu = customer unit
Subject to alterations



Technical features

Mass	1.000 kg
Dimensions	176 Ø x 54 mm
Housing material	Spiral housing of fiberglass-reinforced plastic reinforced with sheet steel.
Direction of air flow	Centrifugal
Direction of rotation	Left, looking at rotor
Bearing	Ball bearings
Lifetime L10 at 40 °C	30000 h
Lifetime L10 at maximum temperature	15000 h
Connection line	Single strands AWG 18
Motor protection	Protected from overload using impedance protection

Product drawing



Charts

