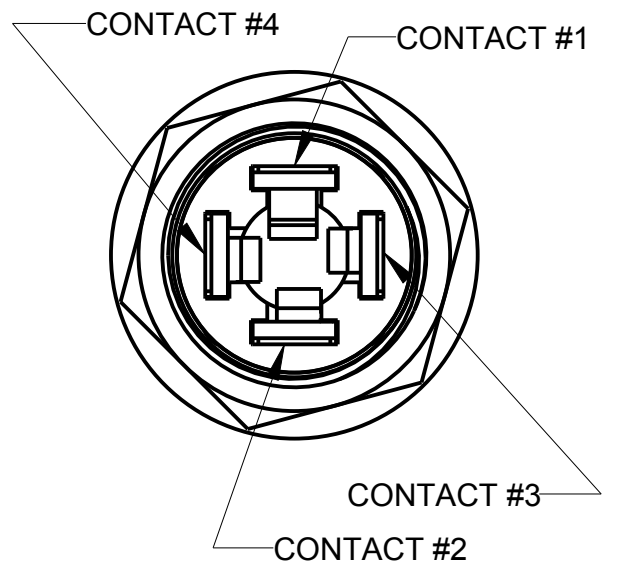
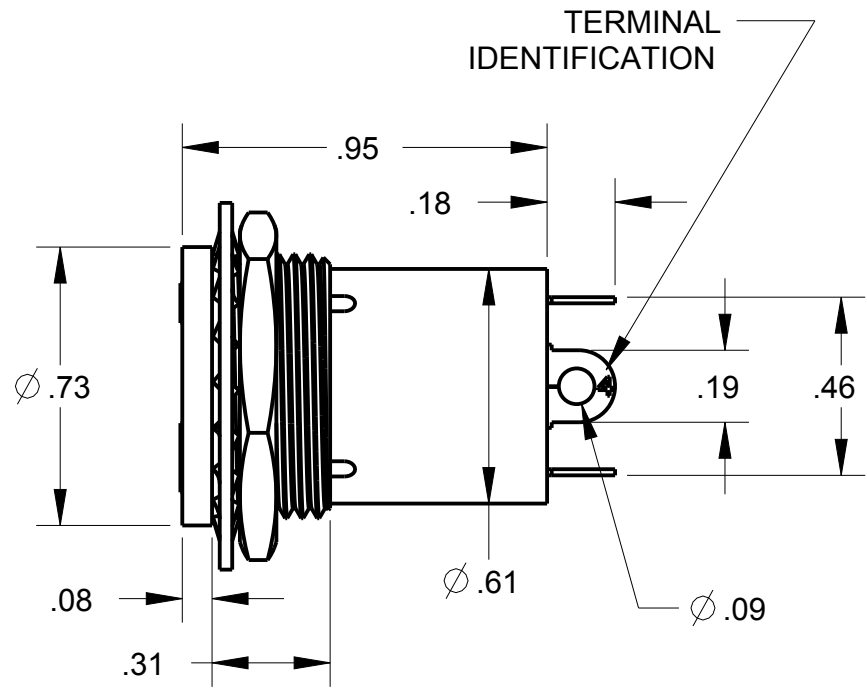
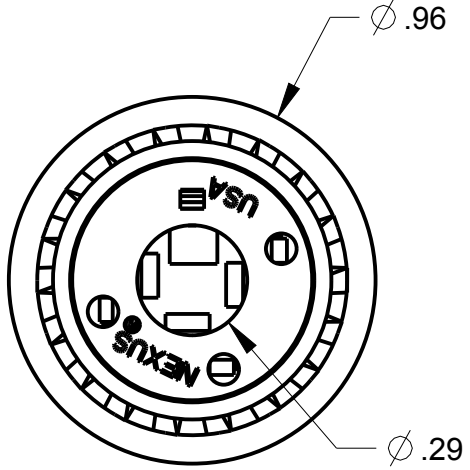
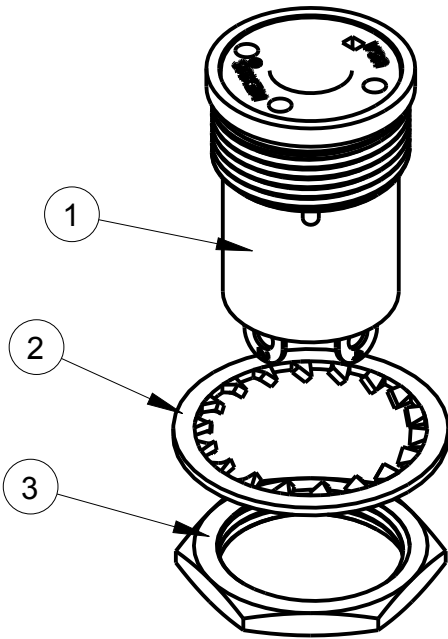


ITEM #	PART #	QTY	DESCRIPTION
1	TJT-120MS-9	1	JACK ASSEMBLY, EXTERNAL THREAD
2	TJT-120-3	1	LOCK WASHER
3	TJT-120-2	1	NUT

**B** TJT-120MS

- NOTES:  
 1) TERMINALS 1,2,3,& 4 ARE BERY. CU.  
 2) FINISH: ALL TERMINALS .00015 NICKEL PLATE & .000015 GOLD PLATE PER MIL-G-4504 TYPE 2  
 3) ASSEMBLY TO MATE WITH TELEPHONE PLUGS TYPE U-93A/U, U-174/U, & NEXUS TP-120  
 4) TERMINALS 1 & 3 ARE FOR MICROPHONE CIRCUIT, TERMINALS 2 & 4 ARE FOR EARPHONE CIRCUIT



THIS DOCUMENT CONTAINS PROPRIETARY INFORMATION OF NEXUS, INCORPORATED AND SUCH INFORMATION MAY NOT BE DISCLOSED TO OTHERS FOR ANY PURPOSE OR USED FOR ANY PURPOSE WITHOUT THE WRITTEN CONSENT OF NEXUS.

LET.	REVISION	CN #	DATE	CHK.
E	ADD: BOM	178	7/24 2013	HR
D	1) NOTE WAS "FULL THREAD TO WITHIN .060"		12/4 1990	
C	REDRAWN		3/15 2013	

DWN.BY	M AMBRO	DATE	9/10/69
CHECKED BY		DATE	
APPR.BY		DATE	

MATERIAL	
FINISH	
WEIGHT	SCALE = 1.00 :1
TITLE <b>PHONE JACK ASSEMBLY &amp; MTG HARDWARE</b>	
DO NOT SCALE DWG.	SHEET 1 OF 1

<b>NEXUS</b> STAMFORD, CONN	
SIZE	DWG. NO.
<b>B</b>	TJT-120MS