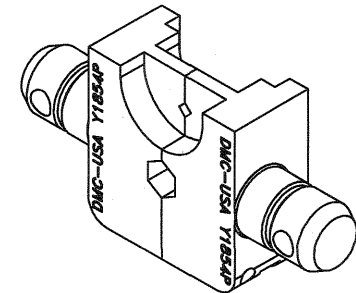
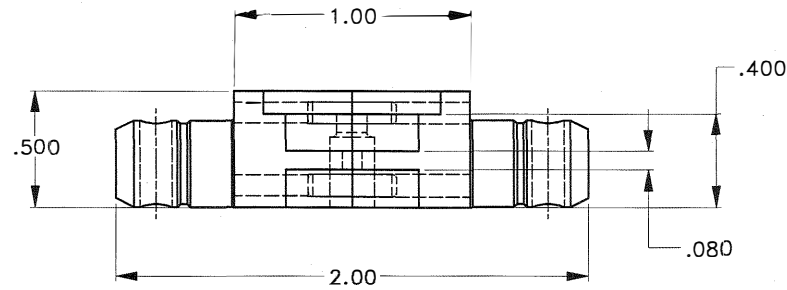
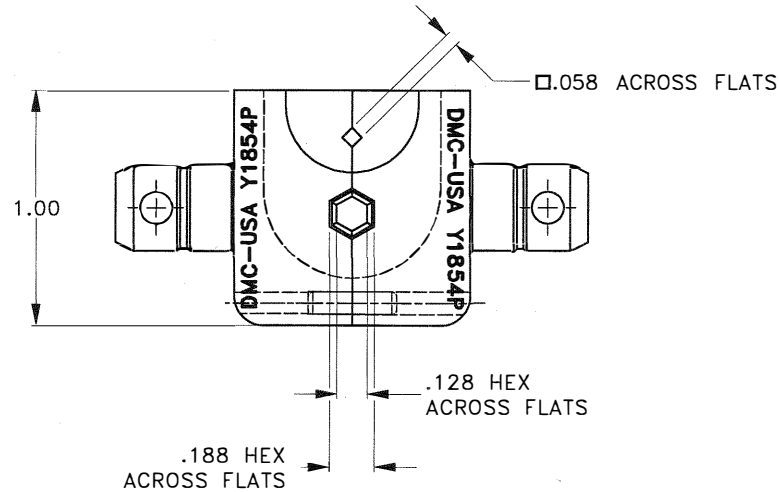



REVISIONS				
REV SYM	ECO NUMBER	DESCRIPTION	BY DATE	APP'D DATE
A	21789	ORIGINAL RELEASE	TD 06-22-10	



ISOMETRIC VIEW



UNCONTROLLED DOCUMENT
WILL NOT BE UPDATED

RESTRICTED & CONFIDENTIAL CONFIDENTIAL PROPERTY OF DANIELS MANUFACTURING CORP. NOT TO BE DISCLOSED TO OTHERS, REPRODUCED OR USED FOR ANY OTHER PURPOSE EXCEPT AS AUTHORIZED IN WRITING BY DANIELS MANUFACTURING. MUST BE RETURNED TO DANIELS MANUFACTURING CORP. ON COMPLETION OF ORDER OR OTHER PURPOSE FOR WHICH LENT.		MATERIAL	ITEM	PART NO.	QTY.	DESCRIPTION/REMARKS
CREATED FROM AN INVENTOR MODEL. CHANGES MUST BE REFLECTED IN THE 3D PART		HEAT TREAT	DRN. <i>Fony Dilworth</i>	DATE 06-22-10		 DANIELS MANUFACTURING CORP. ORLANDO, FLORIDA CAGE 11851
DO NOT SCALE DRAWING		FINISH	CHK'D.	DATE		
			APP'D.	DATE		TITLE
			APP'D.	DATE		DIE SET -- ENVELOPE DRAWING
			NOTE: THIS DRAWING IS AN OUTLINE DRAWING OF THE RESPECTIVE DMC PART NUMBER INDICATED. ACTUAL DMC PART NUMBER IS DRAWING NUMBER WITHOUT THE "-ENV" SUFFIX			WHERE USED:
			SIZE B	SCALE 2X	CAD P/N Y1854P-ENV	SHEET OF 1 1
			POSTING	DWG No. Y1854P-ENV	REV. A	