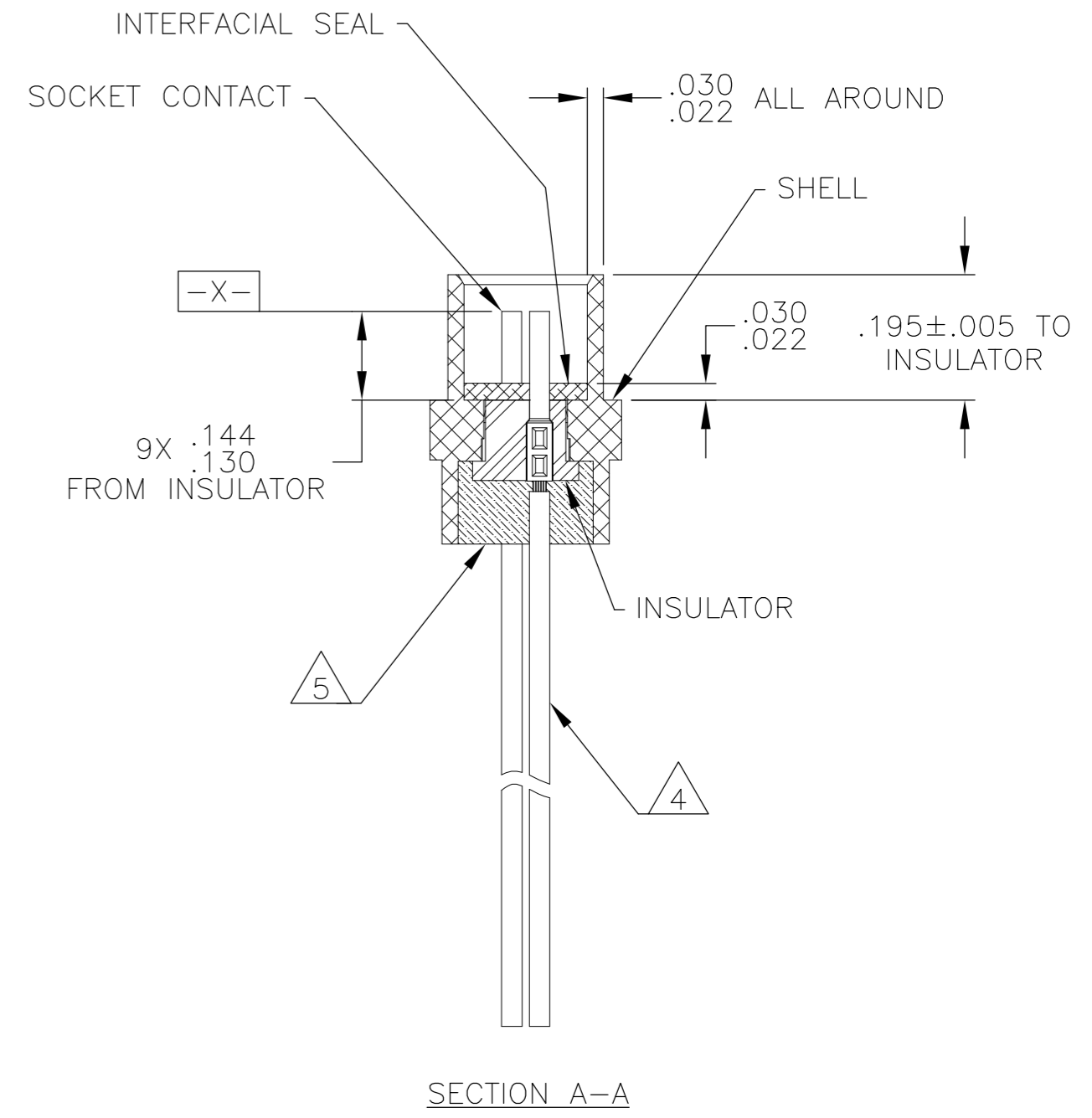
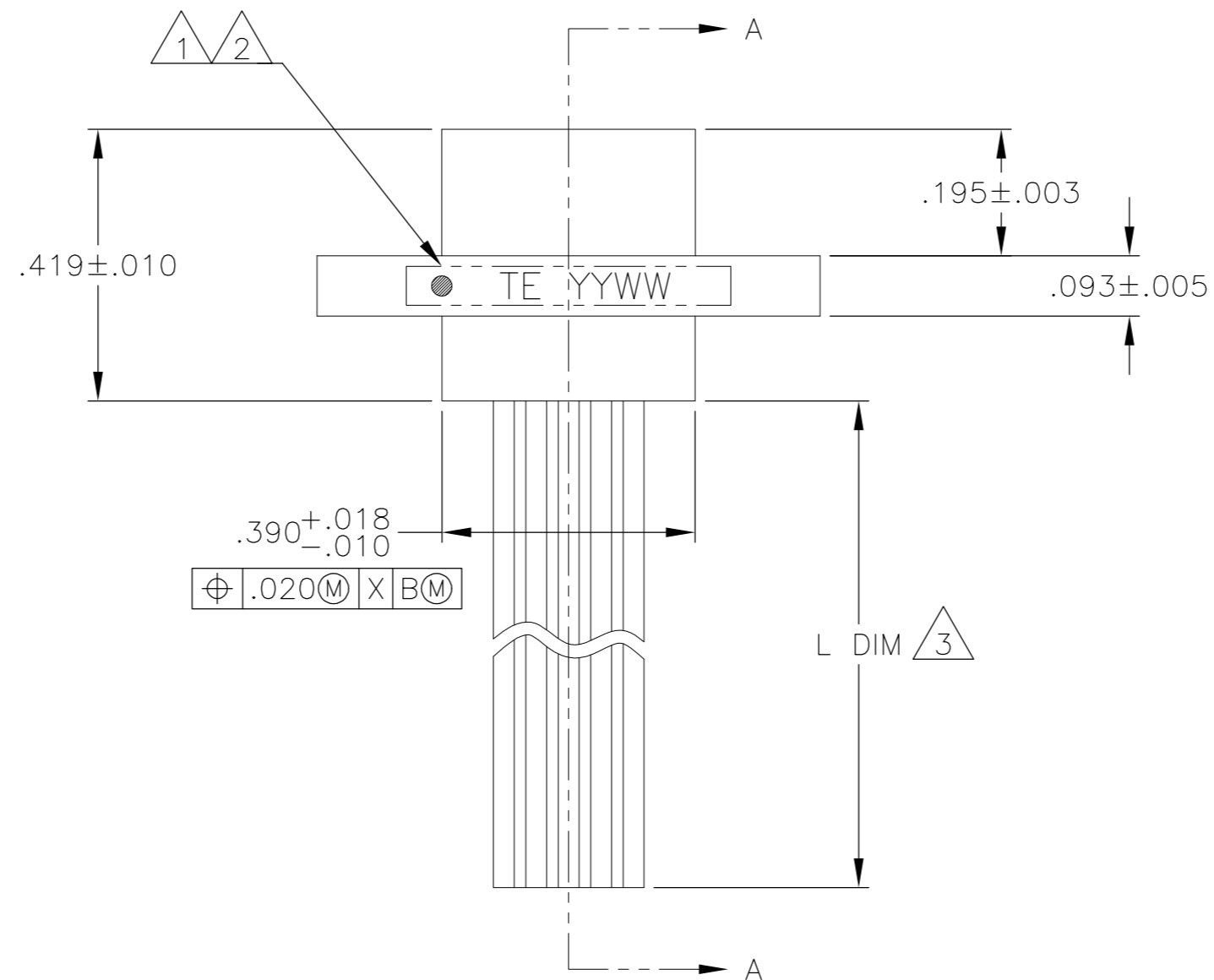
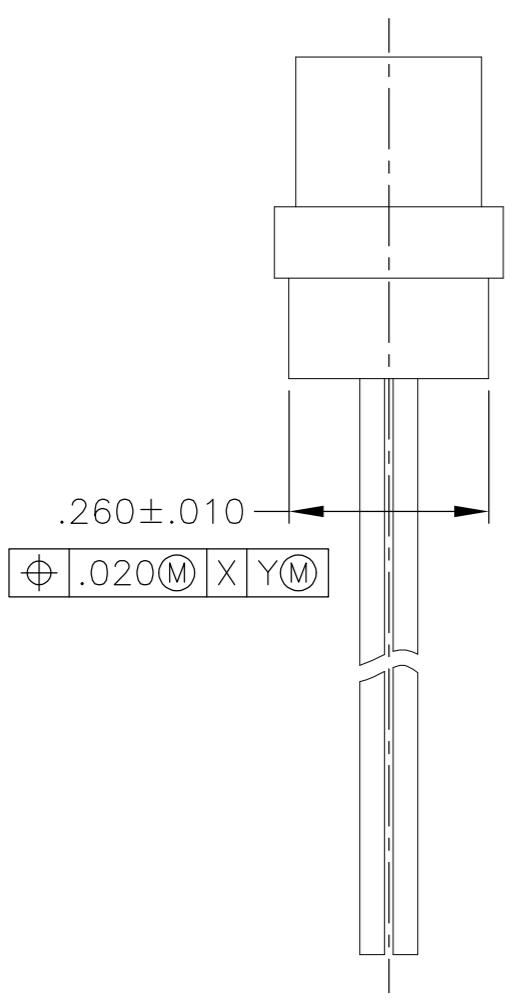
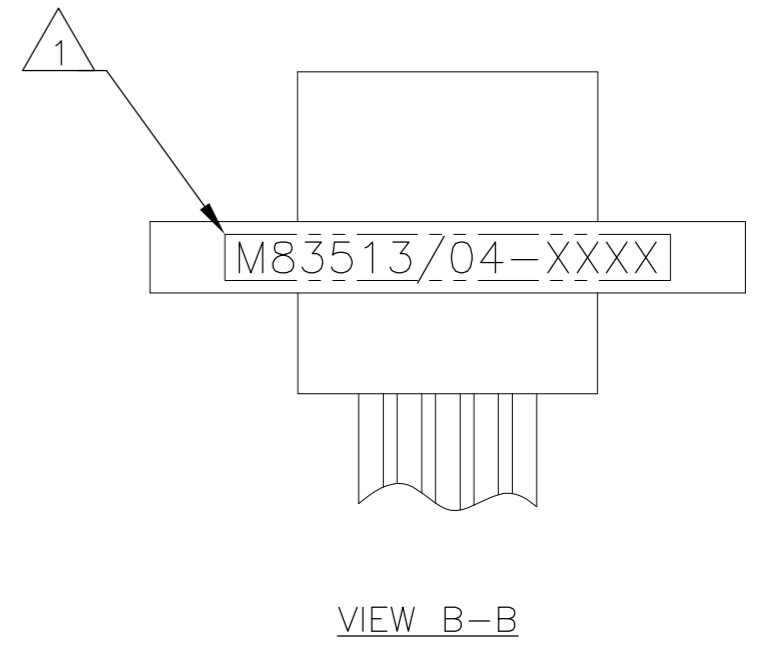
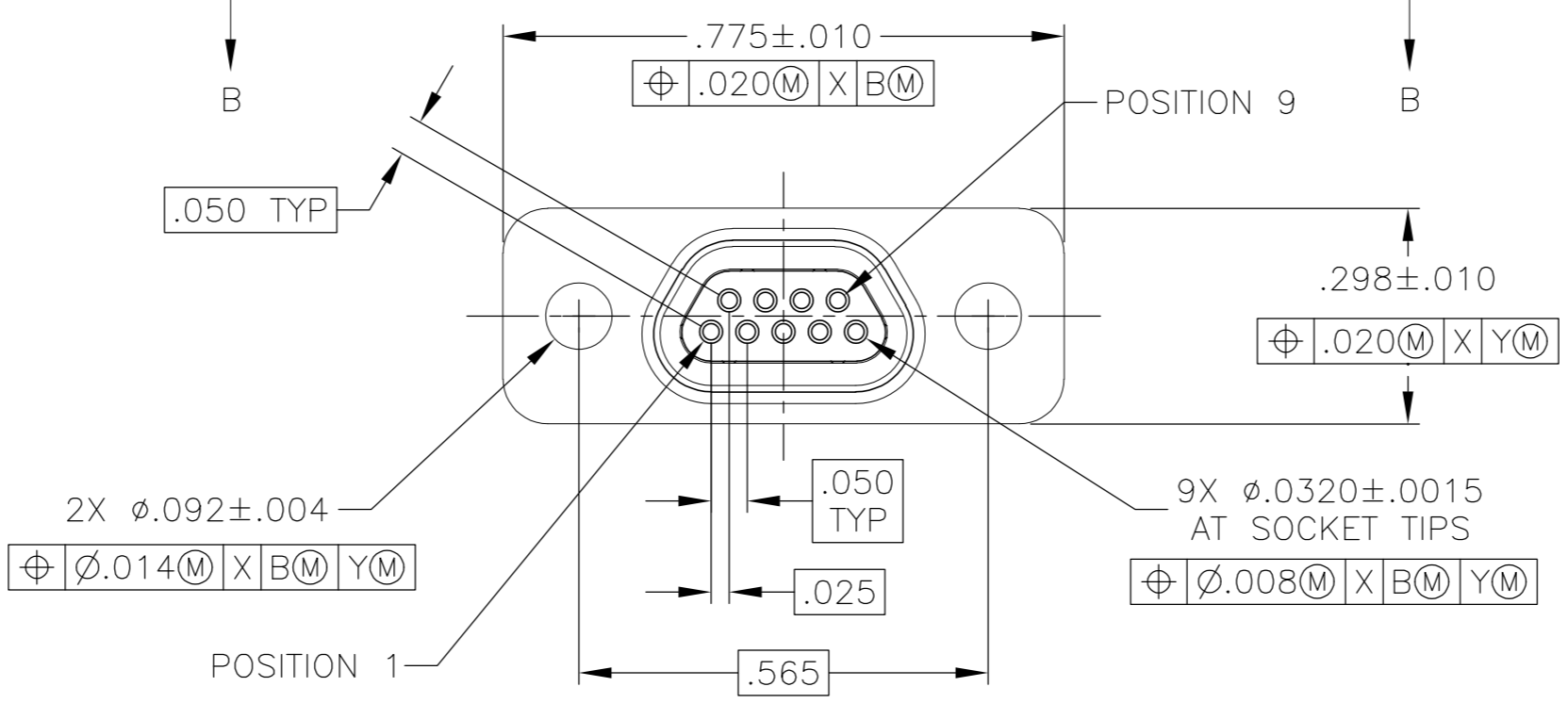
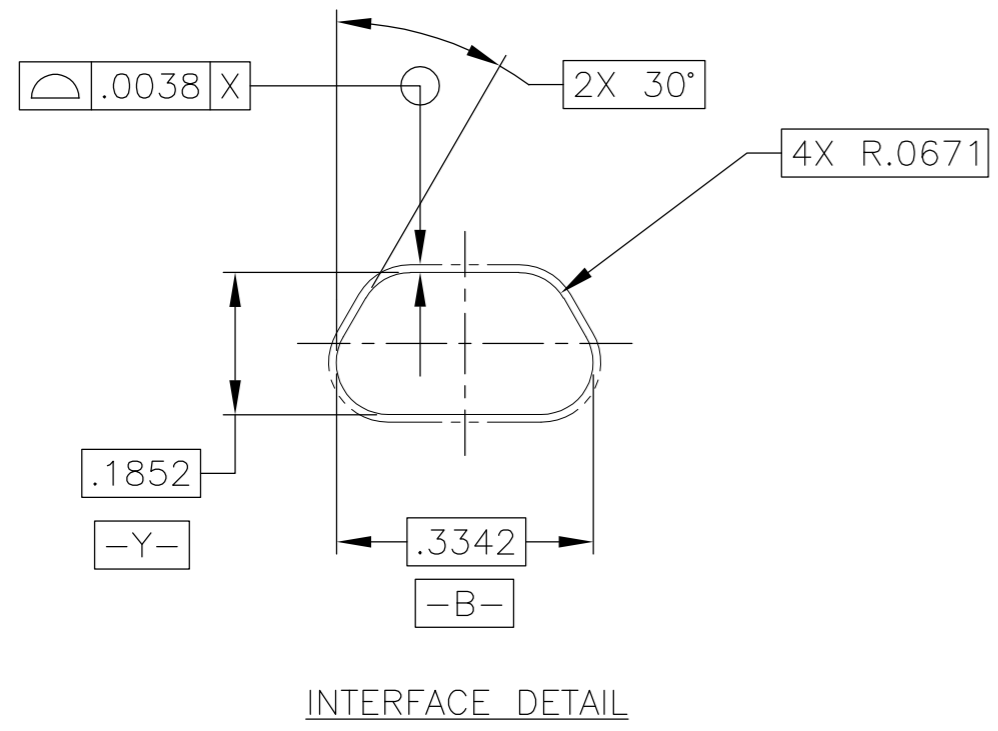


THIS DRAWING IS UNPUBLISHED. RELEASED FOR PUBLICATION
 © COPYRIGHT BY TYCO ELECTRONICS CORPORATION. ALL INTERNATIONAL RIGHTS RESERVED.

LOC	DIST	REVISIONS			
P	LTR	DESCRIPTION	DATE	DWN	APVD
A		PRODUCTION RELEASE	03 SEP 08	BJR	MKS



- 1 CONNECTOR SHALL BE MARKED IN ACCORDANCE WITH METHOD 1 OF MIL-STD-1285. MARKING SHALL CONTAIN THE MILITARY PIN, CAGE CODE (OR TE), AND DATE CODE. EXAMPLE: M83513/04-XXXX TE YYWW (WHERE XXXX IS PART OF THE PIN SHOWN IN THE "MIL-DTL-83513" COLUMN OF PART NUMBER TABLE, AND YYWW IS THE DATE CODE). FOR THE SIZE 9 RECEPTACLE, THE MARKING MUST BE PRINTED ON BOTH SIDES OF THE FLANGE. TEXT HEIGHT SHALL BE .035 INCH MINIMUM.
- 2 POSITION 1 SHALL BE INDICATED BY AN IDENTIFIABLE MARK, LOCATED APPROXIMATELY AS SHOWN ON THE POSITION 1 SIDE OF THE CONNECTOR FLANGE. THIS MARK SHALL BE INCLUDED AS PART OF THE PART MARKING INFORMATION.
- 3 LENGTH IS SHOWN IN THE "L DIM" COLUMN OF THE PART NUMBER TABLE. LENGTH TOLERANCE IS +1.0/-0.0 FOR INSULATED WIRE TERMINATIONS, AND +0.20/-0.00 FOR UNINSULATED WIRE TERMINATIONS
- 4 INSULATED WIRE IS SHOWN FOR REFERENCE ONLY. PART MAY BE TERMINATED WITH INSULATED OR UNINSULATED WIRE ACCORDING TO THE PART NUMBER TABLE.
- 5 EPOXY ENCAPSULATION. EPOXY MAY WICK .125 INCH MAX FOR INSULATED WIRE, AND .050 INCH MAX FOR UNINSULATED WIRE.
- 6 ALL DIMENSIONS AND REQUIREMENTS ARE PER MIL-DTL-83513/4

THIS DRAWING IS A CONTROLLED DOCUMENT.		DWN B. ROMANCHUK	03 SEP 08	Tyco Electronics Corporation Harrisburg, PA 17105-3608
DIMENSIONS: INCHES		CHK M. STORRY	03 SEP 08	
TOLERANCES UNLESS OTHERWISE SPECIFIED:		NAME		RECEPTACLE ASSEMBLY, MICRO-D PER MIL-DTL-83513/04, MCKS SERIES, 9 POSITION
0 PLC ± -		PRODUCT SPEC		SIZE CAGE CODE DRAWING NO
1 PLC ± -		APPLICATION SPEC		A2 98278 C=1532171
2 PLC ± .010		WEIGHT		RESTRICTED TO
3 PLC ± .005		CUSTOMER DRAWING		SCALE 4:1 SHEET 1 OF 2 REV A
4 PLC ± -		SCALE 4:1		
ANGLES ± 1°		SHEET 1 OF 2		
FINISH		REV A		
SEE NOTES				

THIS DRAWING IS UNPUBLISHED. RELEASED FOR PUBLICATION
 © COPYRIGHT BY TYCO ELECTRONICS CORPORATION. ALL INTERNATIONAL RIGHTS RESERVED.

LOC		DIST		REVISIONS			
P	LTR	DESCRIPTION	DATE	DWN	APVD		
-	-	SEE SHEET 1	-	-	-		

TE PART NUMBER	L DIM	MIL-DTL-83513 PIN	MICRODOT P/N	MCKS DESCRIPTION	3	1
1532171-1	18	M83513/04-A01N	094-6126-0001	MCKS-N1-B-9S6G1-18.0		
1532171-2	36	M83513/04-A02N	094-6126-0002	MCKS-N1-B-9S6G1-36.0		
1532171-3	18	M83513/04-A03N	094-6126-0003	MCKS-N1-B-9S6G9-18.0		
1532171-4	36	M83513/04-A04N	094-6126-0004	MCKS-N1-B-9S6G9-36.0		
1532171-5	18	M83513/04-A09N	094-6126-0009	MCKS-N1-B-9S6Q1-18.0		
1532171-6	36	M83513/04-A10N	094-6126-0010	MCKS-N1-B-9S6Q1-36.0		
1532171-7	18	M83513/04-A11N	094-6126-0011	MCKS-N1-B-9S6Q9-18.0		
1532171-8	36	M83513/04-A12N	094-6126-0012	MCKS-N1-B-9S6Q9-36.0		
1532171-9	72	M83513/04-A13N	094-6126-0013	MCKS-N1-B-9S6G1-72.0		
1-1532171-0	72	M83513/04-A14N	094-6126-0014	MCKS-N1-B-9S6G9-72.0		
1-1532171-1	72	M83513/04-A15N	094-6126-0015	MCKS-N1-B-9S6Q1-72.0		
1-1532171-2	72	M83513/04-A16N	094-6126-0016	MCKS-N1-B-9S6Q9-72.0		
1-1532171-3	0.5	M83513/04-A05N	094-6126-0005	MCKS-N1-B-9S5L4-0.5		
1-1532171-4	1.0	M83513/04-A06N	094-6126-0006	MCKS-N1-B-9S5L4-1.0		
1-1532171-5	0.5	M83513/04-A07N	094-6126-0007	MCKS-N1-B-9S5L5-0.5		
1-1532171-6	1.0	M83513/04-A08N	094-6126-0008	MCKS-N1-B-9S5L5-1.0		
1-1532171-7	18	M83513/04-A01C	094-6136-0001	MCKS-C2-B-9S6G1-18.0		
1-1532171-8	36	M83513/04-A02C	094-6136-0002	MCKS-C2-B-9S6G1-36.0		
1-1532171-9	18	M83513/04-A03C	094-6136-0003	MCKS-C2-B-9S6G9-18.0		
2-1532171-0	36	M83513/04-A04C	094-6136-0004	MCKS-C2-B-9S6G9-36.0		
2-1532171-1	0.5	M83513/04-A05C	094-6136-0005	MCKS-C2-B-9S5L4-0.5		
2-1532171-2	1.0	M83513/04-A06C	094-6136-0006	MCKS-C2-B-9S5L4-1.0		
2-1532171-3	0.5	M83513/04-A07C	094-6136-0007	MCKS-C2-B-9S5L5-0.5		
2-1532171-4	1.0	M83513/04-A08C	094-6136-0008	MCKS-C2-B-9S5L5-1.0		
2-1532171-5	18	M83513/04-A09C	094-6136-0009	MCKS-C2-B-9S6Q1-18.0		
2-1532171-6	36	M83513/04-A10C	094-6136-0010	MCKS-C2-B-9S6Q1-36.0		
2-1532171-7	18	M83513/04-A11C	094-6136-0011	MCKS-C2-B-9S6Q9-18.0		
2-1532171-8	36	M83513/04-A12C	094-6136-0012	MCKS-C2-B-9S6Q9-36.0		
2-1532171-9	72	M83513/04-A13C	094-6136-0013	MCKS-C2-B-9S6G1-72.0		
3-1532171-0	72	M83513/04-A14C	094-6136-0014	MCKS-C2-B-9S6G9-72.0		
3-1532171-1	72	M83513/04-A15C	094-6136-0015	MCKS-C2-B-9S6Q1-72.0		
3-1532171-2	72	M83513/04-A16C	094-6136-0016	MCKS-C2-B-9S6Q9-72.0		

THIS DRAWING IS A CONTROLLED DOCUMENT.		DWN B. ROMANCHUK 03 SEP 08	Tyco Electronics Corporation Harrisburg, PA 17105-3608	
DIMENSIONS: INCHES		CHK -	NAME RECEPTACLE ASSEMBLY, MICRO-D PER MIL-DTL-83513/04, MCKS SERIES, 9 POSITION	
TOLERANCES UNLESS OTHERWISE SPECIFIED: 0 PLC ± - 1 PLC ± - 2 PLC ± - 3 PLC ± - 4 PLC ± - ANGLES ± -		APVD M. STORRY 03 SEP 08	DRAWING NO A2 98278 C=1532171	
MATERIAL SEE NOTES		FINISH -	WEIGHT -	RESTRICTED TO -
CUSTOMER DRAWING			SCALE 4:1	SHEET 2 OF 2
			REV A	